



---

## 2006 Model L10 Fixed Rack-Mount Kit Instructions

IBM Corporation offers this optional, fixed rack-mount kit for the IBM TotalStorage® Storage Switch 2006 Model L10. This kit includes the necessary hardware to install one or two switches into any standard 19-inch equipment rack.

**Caution:** The fixed rack-mount kit is not designed to withstand the shock and vibration forces that may result from shipping an installed rack-mount kit and switch unit(s) in an equipment rack. IBM Corporation recommends installing the rack-mount kit and switch unit(s) in an equipment rack at the designated location where the equipment rack will reside. IBM Corporation is not responsible for any injury or damage that may result from improper installation or unintended use of this rack-mount kit. If you want the Model L10 switch pre-installed, using the shippable shelf rack-mount kit, contact an IBM Corporation sales representative.

Before installing the fixed rack-mount kit, review the Guidelines for Mounting Equipment in a Rack section.

---

### Guidelines for Mounting Equipment in a Rack

When installing IBM Corporation equipment in a rack, give careful consideration to the following factors:

- The operating ambient temperature of rack-mounted equipment must not exceed the maximum rated ambient temperature, which is indicated in the product installation guide.
- The air flow clearances specified in the product installation guide must be maintained within the rack.
- The AC supply circuit for rack-mounted equipment must be capable of supplying the total current specified on all the labels of the rack-mounted equipment.
- All AC power supply connections must be properly grounded (earthed). To ensure the integrity of the grounded connection, special attention must be given to connections that are not directly connected to the branch circuit (for example, power strips).
- The rack-mounting hardware provided for IBM Corporation equipment has been carefully selected to adequately support the equipment. Any alternate rack-mounting hardware must provide equal or superior support.
- Plan the device installation starting from the bottom of the rack cabinet. Install the heaviest device in the bottom of the rack cabinet.

# Installation Instructions

Follow these instructions to install a Model L10 switch into a rack.

1. Unpack the Model L10 switch's fixed rack-mount kit and verify that all ordered parts are present. See Table 1 for a list of parts and the quantities supplied.

Table 1. Parts supplied with the Model L10 fixed rack-mount kit

Part	Description	Quantity
<b>1</b>	Rack-mount tray assembly	1
<b>2</b>	Rear mounting rail	2
<b>3</b>	Caged nut, for racks with square holes	12
<b>4</b>	Clip nut, for racks with round holes	12
<b>5</b>	Screw, hex, M6 x 16	12
<b>6</b>	Stop brackets	2
<b>7</b>	Cover panel	1

If any components are missing, contact a customer service representative immediately. (Parts **6** and **7** are shown in Figures 2 and 3, respectively.)

**Note:** The rack-mount tray must be mounted using the 5/8-inch gap intervals. The tray assembly will not mount properly using the 1/2-inch interval. At least 1U of vertical space is necessary to accommodate the rack-mount tray assembly.

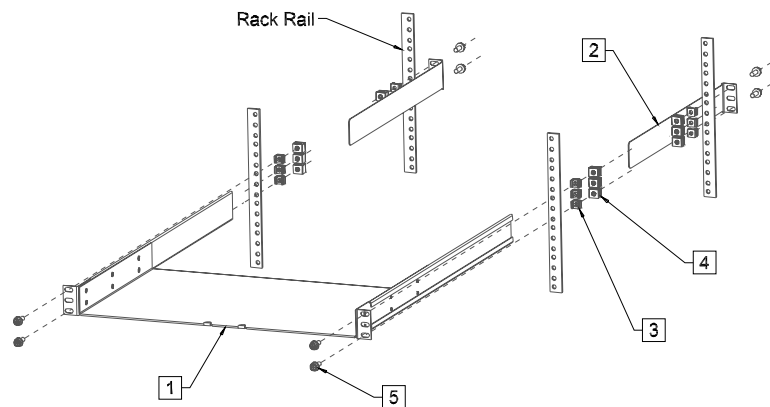


Figure 1. Rack assembly

I100038

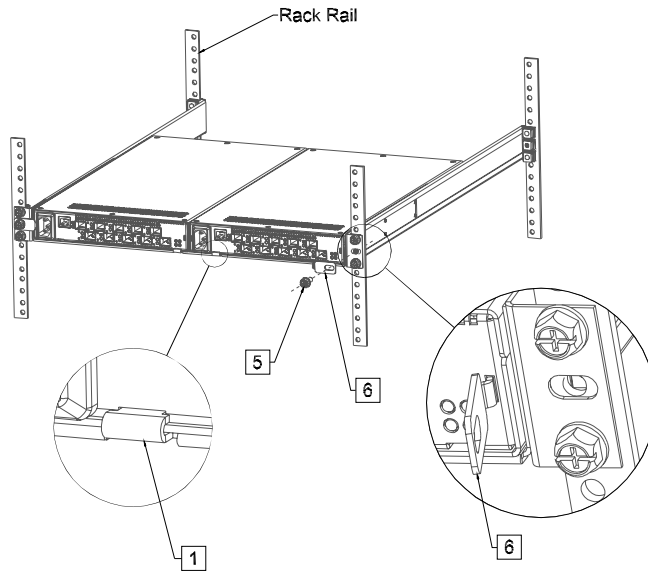
2. Install the appropriate nuts, depending on the equipment rack's holes, inside the equipment rack's rails at the appropriate height (see Figure 1).
  - If the equipment rack uses round holes, install all 12 clip nuts **4**.
  - If the equipment rack uses square holes, install all 12 caged nuts **3**.
3. Install the rear mounting rails **2** in the equipment rack (see Figure 1).

**Note:** IBM Corporation recommends following these installation instructions for the rear mounting rails, especially if the installation is performed by a single individual.

  - a. Align the rear mounting rail in front of (or outside) the equipment rack's rear rail.
  - b. Attach the rear mounting rail to the equipment rack's rear rail using two hex screws **5**. Insert the screws in the top and bottom holes – leave the center hole open for now.

**Attention:** Do not fully tighten the rear mounting rail's hex screws at this time. Final adjustments will be required once the rack-mount tray assembly is installed in the equipment rack.
  - c. Repeat steps 3a and 3b for the remaining rear mounting rail.
4. Mount the rack-mount tray assembly **1** in the equipment rack (see Figure 1).
  - a. Align the rack-mount tray assembly with the installed rear mounting rails.
  - b. Slowly insert the tray assembly into the equipment rack and the rear mounting rails.
  - c. Ensure that the front mounting rails insert properly into the rear mounting rails. The rear mounting rail should fit between the curved metal lips on the front mounting rail.
  - d. Adjust the tray assembly to fit in the desired location.
  - e. Align the front mounting rail in front of (or outside) the equipment rack's rail.
  - f. Attach the front mounting rail to the equipment rack's front rail using two hex screws **5**. Insert the screws in the top and bottom holes – leave the center hole open for now.

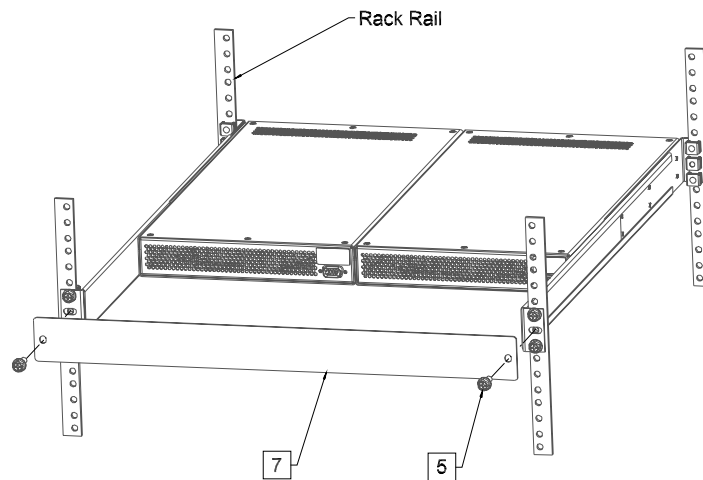
**Attention:** Do not fully tighten the front mounting rail's hex screws at this time.
  - g. Repeat steps 4e and 4f for the remaining front mounting rail.
  - h. Once both front mounting rails are installed, make adjustments to the tray assembly as necessary for proper alignment in the equipment rack.
  - i. When the adjustments are complete, securely tighten the top and bottom hex screws for the front and rear mounting rails.



1100039

Figure 2. Installing the Model L10 switch in the tray assembly

5. Install the switch in the rack (see Figure 2).
  - a. Carefully slide the switch into the tray assembly **1** until the slot in the switch's port end aligns with the metal tab at the front of the tray. There are two metal tabs available – one for each switch.
  - b. Align the metal tab with the slot in the switch's port end and continue sliding the switch into the tray until the metal tab is inserted in the slot.
  - c. Insert the stop bracket's **6** metal tab into the slot on the outer side of the switch.
  - d. Pivot the stop bracket until the stop bracket lays flat against the equipment rack's front rail (see Figure 2).
  - e. Align the stop bracket with the center hole in the equipment rack's front rail.
  - f. Attach the stop bracket to the equipment rack's front rail using one hex screw **5**.
  - g. If you are installing two switches into the tray, repeat steps 5a through 5e for the remaining switch.



1100040

Figure 3. Installing the cover panel on the back side of the tray assembly

6. Install the cover panel (see Figure 3).
  - a. Align the cover panel's **7** mounting holes with the empty center holes in the equipment rack's rear rails.
  - b. Securely fasten the cover panel to the equipment rack's rear rails using one hex screw **5** for each side. The cover panel will conceal the tray assembly's top and bottom hex screws in both of the equipment rack's rails.
7. Provide power to the switch.
  - a. Insert the included power cord into the Model L10 switch and connect it to a power outlet.

Refer to the switch's *User's Guide* for the proper procedure on powering on the switch.

**First Edition (August 2004)**

**IBM Form Number: GC26-7655-00**

**Part number: 26K7918**

The following paragraph does not apply to any country (or region) where such provisions are inconsistent with local law. INTERNATIONAL BUSINESS MACHINES CORPORATION PROVIDES THIS PUBLICATIONS "AS IS" WITHOUT WARRANTY OF ANY KIND, EITHER EXPRESS OR IMPLIED, INCLUDING, BUT NOT LIMITED TO, THE IMPLIED WARRANTIES OF MERCHANTABILITY OR FITNESS FOR A PARTICULAR PURPOSE. Some states (or regions) do not allow disclaimer of express or implied warranties in certain transactions; therefore, this statement may not apply to you.

Order publications through your IBM representative or the IBM branch office serving your locality.

**© Copyright International Business Machines Corporation 2004. All rights reserved.**

US Government Users Restricted Rights – Use, duplication or disclosure restricted by GSA ADP Schedule Contract with IBM Corp.

**© 2004 Emulex Corporation. All rights reserved.**

**Part number: 00041445-002 Rev. A**

Emulex and Vixel are registered trademarks, and InSpeed and FibreSpy are trademarks, of Emulex Corporation. All other brand or product names referenced herein are trademarks or registered trademarks of their respective companies or organizations.