

IBM 3534 SAN Fibre Channel Managed Hub



# Translations for Installing the Managed Hub

**Take Note!**

Before using this information and the product it supports, be sure to read the information in the Safety and Notices sections..

**First Edition (September 2000)**

Publications are not stocked at the address given below. If you want additional IBM publications, ask your IBM representative or write to the IBM branch office serving your locality.

A form for reader's comments is provided at the back of this publication. If the form has been removed, address your comments to:

International Business Machines Corporation  
RCF Processing Department  
Dept. G26/Bldg. 050-3  
5600 Cottle Road  
SAN JOSE, CA 95193-0001  
U.S.A.  
FAX: 1-800-426-6209

You can also send your comments electronically to: [starpubs@us.ibm.com](mailto:starpubs@us.ibm.com)

When you send information to IBM, you grant IBM a nonexclusive right to use or distribute the information in any way it believes appropriate without incurring any obligation to you.

© **Copyright International Business Machines Corporation 2000. All rights reserved.**

US Government Users Restricted Rights – Use, duplication or disclosure restricted by GSA ADP Schedule Contract with IBM Corp.

---

# Contents

<b>About this guide</b> .....	v
<b>Part 1. English</b> .....	1-1
<b>Part 2. France</b> .....	2-1
<b>Part 3. Germany</b> .....	3-1
<b>Part 4. Japan</b> .....	4-1
<b>Part 5. Spain</b> .....	5-1
<b>Part 6. Taiwan</b> .....	6-1



---

## About this guide

The *IBM 3534 SAN Fibre Channel Managed Hub, Translations for Installing the Managed Hub* contains the following translations:

English	SY27-7621-00
French	SY11-1111-00
German	SY12-8169-00
Japanese	SY88-6053-00
Spanish	SY10-8052-00
Taiwanese	SY45-0002-00



---

## Part 1. English

This part contains the English translation of the *IBM 3534 SAN Fibre Channel Managed Hub, Translations for Installing the Managed Hub*.





IBM 3534 SAN Fibre Channel Managed Hub



# Translations for Installing the Managed Hub

**Take Note!**

Before using this information and the product it supports, be sure to read the general information in the Safety and Notices sections..

**First Edition (September 2000)**

Publications are not stocked at the address given below. If you want additional IBM publications, ask your IBM representative or write to the IBM branch office serving your locality.

A form for reader's comments is provided at the back of this publication. If the form has been removed, address your comments to:

International Business Machines Corporation  
RCF Processing Department  
Dept. G26/Bldg. 050-3  
5600 Cottle Road  
SAN JOSE, CA 95193-0001  
U.S.A.

You can also send your comments electronically to: [starpubs@us.ibm.com](mailto:starpubs@us.ibm.com)

When you send information to IBM, you grant IBM a nonexclusive right to use or distribute the information in any way it believes appropriate without incurring any obligation to you.

© **Copyright International Business Machines Corporation 2000. All rights reserved.**

US Government Users Restricted Rights – Use, duplication or disclosure restricted by GSA ADP Schedule Contract with IBM Corp.

---

# Contents

<b>Figures</b> . . . . .	v
<b>Safety and environmental notices</b> . . . . .	vii
Translated safety notices . . . . .	vii
Safety inspection . . . . .	vii
Remove ac power . . . . .	vii
External machine check. . . . .	vii
Battery notice caution . . . . .	viii
Product recycling . . . . .	viii
Laser safety . . . . .	viii
General restrictions . . . . .	viii
Usage restrictions. . . . .	viii
<b>About this guide</b> . . . . .	ix
Who should use this guide . . . . .	ix
Related publications . . . . .	ix
Web sites . . . . .	ix
<b>Installing the 3534 Managed Hub</b> . . . . .	1
Customer pre-installation checklist . . . . .	1
Installation instructions . . . . .	2
Desktop installation. . . . .	2
Rack mount installation . . . . .	3
Installing the GBIC . . . . .	7
Setting the IP address. . . . .	7
Setting the Managed Hub Name . . . . .	8
Setting the IP address using the Ethernet port . . . . .	8
Setting the IP address using the serial port . . . . .	9
Verifying 3534 Managed Hub installation . . . . .	15
Downloading firmware . . . . .	15
Firmware upgrade procedure. . . . .	15
<b>Notices</b> . . . . .	17
Trademarks . . . . .	17
Electronic emission notices . . . . .	17
Federal Communications Commission (FCC) statement . . . . .	18
Industry Canada compliance statement . . . . .	18
European community compliance statement . . . . .	18
Germany only . . . . .	19
Japanese Voluntary Control Council for Interference (VCCI) class 1 statement . . . . .	19
Taiwan class A compliance statement . . . . .	20
IBM license for machine code . . . . .	20
Statement of limited warranty . . . . .	21
Production status . . . . .	21
IBM warranty for machines . . . . .	21
Warranty service . . . . .	22
Extent of warranty. . . . .	22
Limitation of liability . . . . .	22
<b>Index</b> . . . . .	25



---

## Figures

1. Moving slide . . . . .	4
2. Mounting moving portion of slide and locking ears to the 3534 Managed Hub . . . . .	5
3. Mounting the fixed portion of the rail and securing the locking ears . . . . .	6
4. Inserting slides into the rack rails . . . . .	6
5. Location of the GBIC port . . . . .	7
6. Front end of the GBIC . . . . .	7
7. 3534 Managed Hub . . . . .	8
8. <b>switchName</b> command example . . . . .	8
9. Connection Description window . . . . .	10
10. Connect to window . . . . .	11
11. COM1 Properties - Port Settings window . . . . .	12
12. Settings - Emulation window . . . . .	13
13. HyperTerminal session. . . . .	14



---

## Safety and environmental notices

Safety notices are printed throughout this guide. The Danger notice warns you of conditions or procedures that can result in death or severe personal injury. The Caution notice warns you of conditions or procedures that can cause personal injury that is neither lethal nor extremely dangerous. The Attention notice indicates the possibility of damage to a program, device, system, or data.

---

### Translated safety notices

The translation of the safety notices found in this guide are contained in a separate book. See *IBM External Devices Safety Information, SA26-7003* for a translation of the danger notices.

Translated notices are easy to locate in the safety information manual as they are in numeric order. Look for the ID number (72XXD201) in the following example.

#### **DANGER**

**An electrical outlet that is not correctly wired could place hazardous voltage on metal parts of the system or the products that attach to the system. It is the customer's responsibility to ensure that the outlet is correctly wired and grounded to prevent an electrical shock. (72XXD201)**

#### **CAUTION:**

**A caution notice indicates the presence of a hazard that has the potential of causing moderate or minor personal injury. (RSFTC228)**

---

### Safety inspection

Perform the following safety checks to identify unsafe conditions. Be cautious of potential safety hazards not covered in the safety checks. If unsafe conditions are present, determine how serious the hazards are and whether you should continue before correcting the problem.

#### Remove ac power

Perform the following steps to remove ac power.

1. Perform a controlled system shutdown.
2. Disconnect the power cord from the power source.

#### External machine check

Perform the following external machine check.

**Attention:** IBM authorizes only trained service personnel to open this machine. It is designed to be serviced at the factory.

1. Verify that all external covers are present and not damaged.
2. Ensure that all latches and hinges are in correct operating condition.
3. If the 3534 Managed Hub is not installed in a rack cabinet, check for loose or broken feet.
4. Check the power cord for damage.
5. Check the external signal cable for damage.

6. Check the cover for sharp edges, damage, or alterations that expose the internal parts of the device.
7. Correct any problems that you find.

---

## Battery notice caution

A lithium battery can cause fire, explosion, or a severe burn. Do not recharge, disassemble, heat above 100°C (212°F), solder directly to the cell, incinerate, or expose the cell contents to water. Keep away from children. Replace only with the part number specified for your system. Use of another battery may present a risk of fire or explosion. The battery connector is polarized; do not attempt to reverse the polarity. Dispose of the battery according to local regulations.

---

## Product recycling

This unit contains recyclable materials. These materials should be recycled where processing sites are available and according to local regulations. In some areas, IBM provides a product take-back program that ensures proper handling of the product. Contact your IBM representative for more information.

---

## Laser safety

This unit may contain a single-mode or multi-mode transceiver, which are Class 1 laser products. The transceivers comply with IEC 825-1 and FDA 21 CFR 1040.10 and 1040.11. The transceiver must be operated under the recommended operating conditions.

---

## General restrictions

The classification is valid only if the module is operated within the specified temperature and voltage limits. The system using the module must provide power supply protection that guarantees that the system power source will cease to provide power if the maximum recommended operation limit or more is detected on the +3.3 V/+5 V at the power source. The operating temperature of the module must be in the temperature range given in the recommended operating limits. These limits guarantee the laser safety.

---

## Usage restrictions

The optical ports of the modules must be terminated with an optical connector or with a dust plug.



---

## About this guide

The *IBM 3534 SAN Fibre Channel Managed Hub, Translations for Installing the Managed Hub* contains the following translations:

English	SY27-7621-00
French	SY11-1111-00
German	SY12-8169-00
Japanese	SY88-6053-00
Spanish	SY10-8052-00
Taiwanese	SY45-0002-00

---

## Who should use this guide

This guide is intended to be used by:

- A trained Service Support Representative (SSR) to solve and diagnose hardware problems on the IBM 3534 SAN Fibre Channel Managed Hub.
- The customer during installation and setup of the IBM 3534 SAN Fibre Channel Managed Hub. The IBM 3534 SAN Fibre Channel Managed Hub is a Customer Setup Unit (CSU). Before using the installation section of this guide, you should know how to service your own network and applicable software. You must also know how to safely work with electrical components.

**Important:** Throughout this guide, the term switch refers to switches and hubs unless otherwise noted.

**Important:** Throughout this guide, the IBM StorWatch SAN Fibre Channel Managed Hub Specialist is referred to as the StorWatch Specialist.

---

## Related publications

Additional information related to the 3534 Managed Hub may be found in the following publications:

- *IBM 3534 SAN Fibre Channel Managed Hub Managed Hub Installation and Service Guide*, SY27-7616
- *IBM 3534 SAN Fibre Channel Managed Hub User's Guide*, GC26-7391
- *IBM External Devices Safety Information*, SA26-7003
- *Electrical Safety for IBM Customer Engineers*, S229-8124

Another publication that may provide related information is the Fibre Channel Standards; see "Web sites".

---

## Web sites

For additional information about storage products, go to the following Web site:

[www.ibm.com/storage/fchub](http://www.ibm.com/storage/fchub)

For detailed information on the fibre channel standards, see the Fibre Channel Association Web site:

[www.fibrechannel.com](http://www.fibrechannel.com)



---

# Installing the 3534 Managed Hub

**Attention:** Throughout this chapter, the term switch refers to switches and hubs unless otherwise noted.

---

## Customer pre-installation checklist

It is important that you review this checklist before you begin to install the 3534 Managed Hub. Some steps may vary because of the host platform you attach to the 3534 Managed Hub. You should have the IP address for the 3534 Managed Hub and should have arranged for other installation activities. Table 1 shows the pre-installation checklist.

Table 1. Customer pre-installation checklist

Step	Customer action or decision	Comments and references
1	<ul style="list-style-type: none"><li>• Desktop Install</li><li>• Rack mount install</li></ul>	Determine whether the 3534 Managed Hub is to be installed on a desktop or to be rack mounted.
2	Required host platform OS Service Pack installed. For example: Windows NT® 4.0, Service Pack (or later), and required hot fixes.	For a current list of supported platforms required host platform code updates, and information on how to obtain them, see the Web site:  <a href="http://www.ibm.com/storage/fchub">http://www.ibm.com/storage/fchub</a>  or contact IBM technical support.
3	Required fibre channel host bus adapter, HBA BIOS, and device driver.	For a list of supported HBAs and the required BIOS and device driver, you <i>must</i> see the Web site:  <a href="http://www.ibm.com/storage/fchub">http://www.ibm.com/storage/fchub</a>
4	Ensure that the disk or tape systems to be installed are compatible.  The device driver is installed or updated.	Usually performed by a service representative during target device installation.  For a list of supported systems and the required BIOS and device driver, you <i>must</i> see the Web site:  <a href="http://www.ibm.com/storage/fchub">http://www.ibm.com/storage/fchub</a>
5	All host fibre channel cables have been: <ul style="list-style-type: none"><li>• Ordered with the product or have been pre-installed and checked</li><li>• Labeled with host system identifier and 3534 Managed Hub identifier</li></ul>	Refer to the HBA specification provided with your HBA to determine the required cables, host system identifier, and 3534 Managed Hub identifier. For example, label the intended port or zone location.

Table 1. Customer pre-installation checklist (continued)

6	<p>Decide on the following 3534 Managed Hub Ethernet port configuration decisions.</p> <p><b>Attention:</b> Save this configuration for future reference</p> <ul style="list-style-type: none"> <li>• Static IP address _____</li> <li>• Netmask (if required) _____</li> </ul> <p>If the 3534 Managed Hub is not on the same TCP/IP subnet as the server*, assign the default network gateway address and/or route table entries.</p>	<p><b>Attention:</b> The use of incorrect Ethernet parameters can cause problems on the Ethernet network.</p> <p>Obtain the 3534 Managed Hub Ethernet parameters from your network administrator.</p>
7	<p>Set the managed hub name using the Telnet command <b>switchName</b>.</p>	<p>The managed hub name must resolve to the internet protocol (IP) address on the host system that uses the StorWatch™ Specialist. Do so even when using the IP address with your web browser to connect to the managed hub. Your network administrator should add the IP address of the Managed Hub to domain name server (DNS) or network information service (NIS). Alternately, you can perform local name resolution using a hosts file. Failure to do this results in poor performance when using a web browser to managed the managed hub.</p>
8	<p>Run the Ethernet cable from the server* to the network hub.</p>	
9	<p>Run the Ethernet cable from the network hub to where the 3534 Managed Hub will be installed.</p>	None
<p>*The term <i>server</i> used here refers to the computer you will use for the StorWatch SAN Fibre Channel Managed Hub Specialist.</p>		

## Installation instructions

The 3534 Managed Hub may be installed in either a rack mount configuration or a desktop configuration. Before installing the 3534 Managed Hub and power cord, install the desktop rubber mounting feet for desktop installation or install the 3534 Managed Hub in a rack.

**Note:** If you are missing parts, see the following Web site for the telephone number for parts replacement.

<http://www.ibm.com/storage/fchub>

## Desktop installation

The 3534 Managed Hub is shipped in its desktop configuration. Adhesive rubber feet are supplied. Apply them to the bottom of the 3534 Managed Hub in the four depressions provided. To apply the rubber feet, do the following:

1. Turn the 3534 Managed Hub upside down and lay it on its top.
2. Clean the four depressions by wiping them free of dust.
3. Remove the rubber feet from the sheet provided with the shipping kit, and place one foot in each depression.
4. Firmly press the four rubber feet into place.
5. Return the 3534 Managed Hub to its normal upright position, and place it in its intended service location.

## Rack mount installation

Read the following cautions before starting the rack mount installation:

**Attention:** Do not install in a rack where the internal rack ambient temperature will exceed 40°C or where the airflow is compromised. The airflow is from the back of the unit to the front; do not block the front or the back of the rack.

**Attention:** When rack mounting this unit, assure that the fibre optic cables routed from this unit are not impinged on by rack doors or hardware once installed!

**Note:** For racks with flush-mount doors, such as the 9306 Netfinity® racks, the following options exist:

- You can use this unit to replace a 3523 Netfinity Fibre Channel Hub by installing the rubber feet (see “Desktop installation” on page 2) and placing the 3534 Managed Hub on the rack tray that held the 3523.
- You can use the rack mount slides, attaching the 3534 Managed Hub to the set of mounting holes, which are 3-inches offset into the rack, and eliminate the installation of the ears.

### DANGER

**An electrical outlet that is not correctly wired could place hazardous voltage on metal parts of the system or the products that attach to the system. It is the customer’s responsibility to ensure that the outlet is correctly wired and grounded to prevent an electrical shock. (72XXD201)**

This unit requires 2 amps of power with an input of 110 - 127 V ac or 1 amp with an input of 200 - 240 V ac. Make sure that, when connecting the equipment to the supply circuit, overloading of circuits does not compromise the supply wiring or over current protection.

**Important:** Tools required for the rack mount installation include the following:

- Standard slotted screwdriver
- Nut driver (11/32 or wrench)

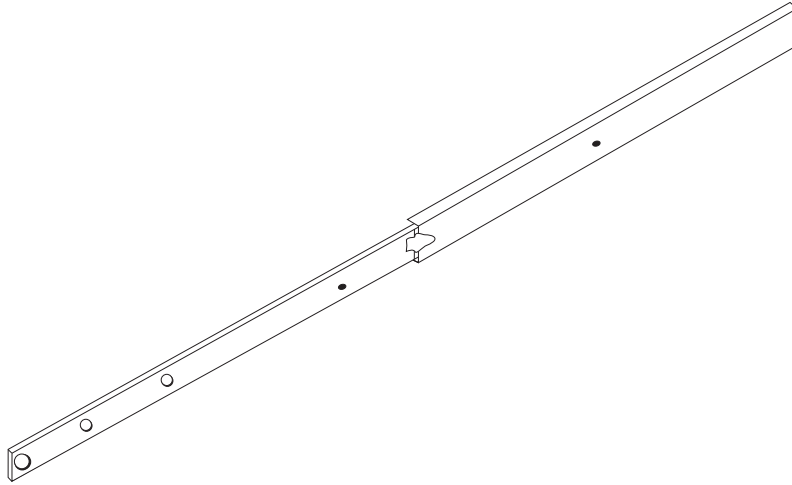
**Important:** Before starting the rack mount installation, perform the following:

- Read step 1 on page 3 through step 4 on page 7.
- Locate the rack mount slides and the mounting bracket package provided in the shipping container.

The 3534 Managed Hub is designed to be installed in an EIA standard 19-inch rack. To install the 3534 Managed Hub in the rack mount configuration, perform the following:

1. Mount the moving slide and locking ears to the 3534 Managed Hub.

- a. Locate both slides and disassemble them. Fully extend the slide as shown in Figure 1, press the release, and pull the slide apart.

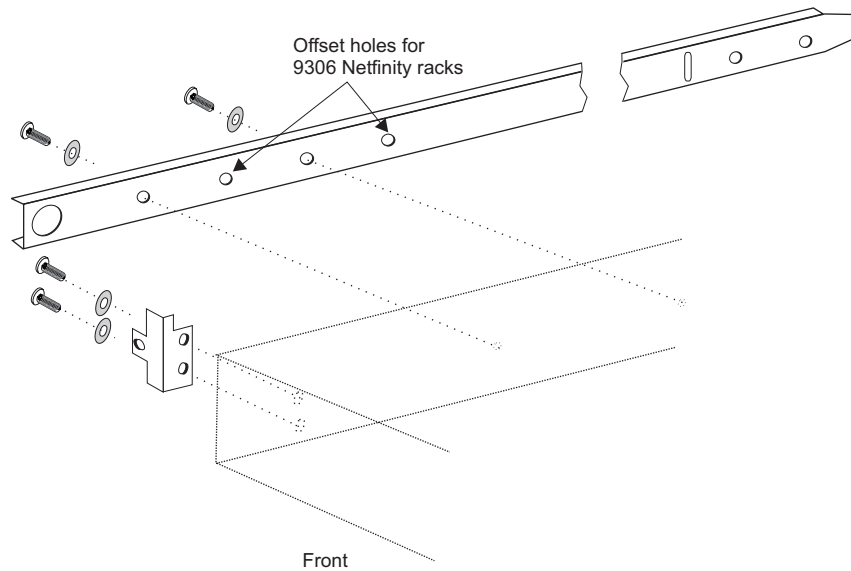


SL08933N

*Figure 1. Moving slide*

**Attention:** For racks with flush-mount doors, such as the 9306 Netfinity racks, you can use the rack mount slides, attaching the 3534 Managed Hub to the set of mounting holes, which are 3-inches offset into the rack, and eliminate the installation of the ears.

- b. Mount the moving portion of the slide and the locking ears to the 3534 Managed Hub as shown in Figure 2 on page 5. Use the screws provided with the mounting ears in the small bag. Mount the moving portion of the slide first, and then the locking ears.



SL08914N

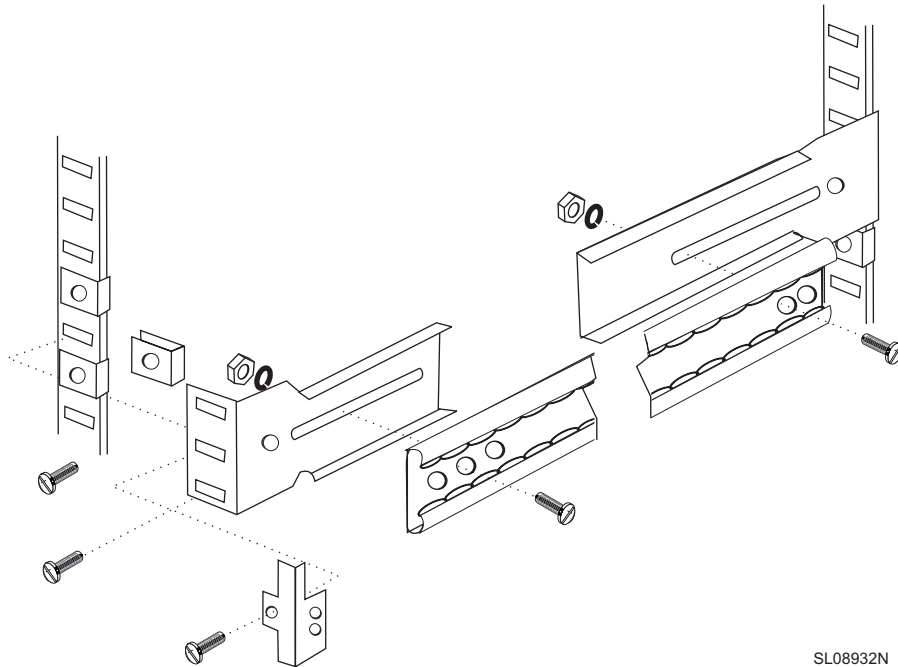
Figure 2. Mounting moving portion of slide and locking ears to the 3534 Managed Hub

2. Mount the fixed portion of the slide in the rack.

- a. Open the rack mounting brackets kit and mount the brackets to the wider fixed portion of the slides (there are four of these). One bracket mounts to each end of the fixed portion of the slides. Leave the mounting screws on the rear bracket just finger tight. You will tighten the mounting screws down after the 3534 Managed Hub is installed. The brackets on the front should be tightened leaving approximately 5/8-inches (15 mm) of the bracket in front of the end of the outer fixed slide member. This allows space to install the locking ears.

**Important:** Ensure that you mount the brackets so the 3534 Managed Hub sits level in the rack. You may need to adjust the alignment by loosening the four screws on the rack mounting brackets, checking the alignment, then retightening as needed.

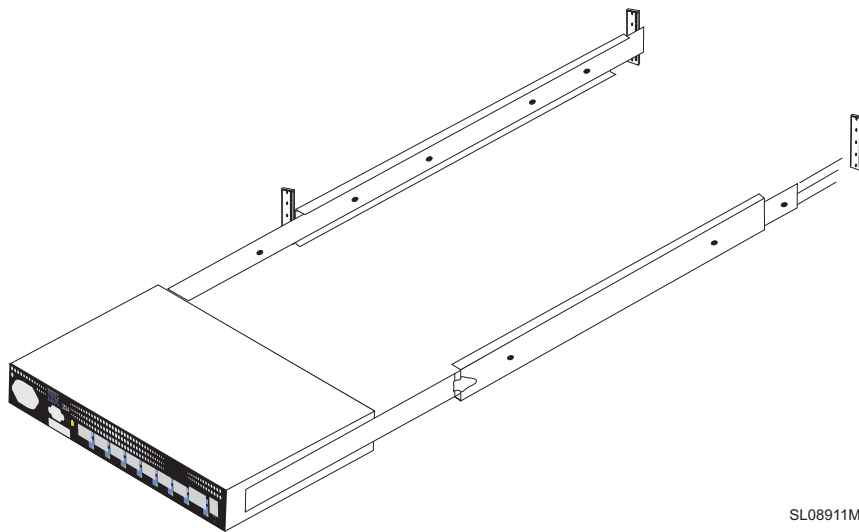
- b. Use the rack mount clips and the longer screws provided to mount the fixed portion of the slides to the vertical mounting bars in the rack. See Figure 3 on page 6. Install three rack clips at the front and at the back of the rack. The middle rack clip in the front is for the locking ears.



SL08932N

Figure 3. Mounting the fixed portion of the rail and securing the locking ears

3. Insert the 3534 Managed Hub and moving portion of the slides into the fixed portion of the slide on the rack.
  - a. Lift the 3534 Managed Hub and match the portion of the rail mounted on the 3534 Managed Hub with the receiving rail members mounted in the rack as shown in Figure 4. Push the 3534 Managed Hub all the way into the rack.



SL08911M

Figure 4. Inserting slides into the rack rails

- b. Slide the 3534 Managed Hub back and forth on the rail several times to make sure it moves easily. Move the 3534 Managed Hub partially forward and tighten the mounting screws on the rear brackets that were left finger tight in step 2a on page 5.



- Slide the 3534 Managed Hub fully back into the rack. Using the remaining screws provided with the locking ears, lock the 3534 Managed Hub in the rack. See Figure 3 on page 6.

This completes the rack mount installation..

---

## Installing the GBIC

The 3534 Managed Hub comes with seven fixed optic fiber ports and one pluggable GBIC port as shown in Figure 5.

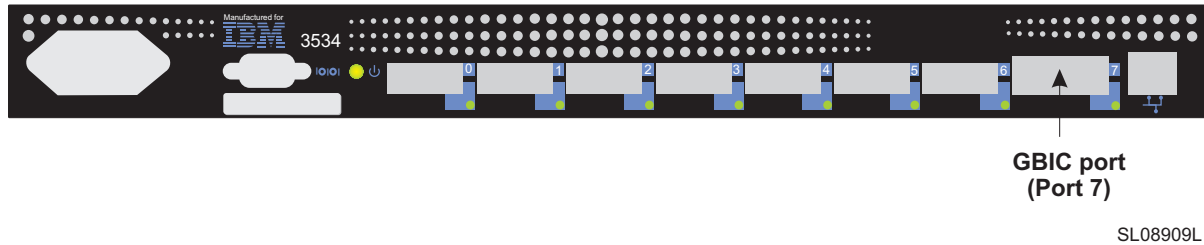


Figure 5. Location of the GBIC port

Figure 6 shows the front of the GBIC with the dust protection rubber plug removed. The plug should be left inserted in the GBIC until a fibre channel cable is inserted. The other end of the GBIC is inserted into the 3534 Managed Hub.



Figure 6. Front end of the GBIC

---

## Setting the IP address

The IP address can be set through the serial port or the Ethernet port. Where possible, setting the IP address through the serial port is the preferred method.

The 3534 Managed Hub is shipped from the factory with a default IP address (10.77.77.77) pre-installed. This IP address is printed on the label on the top front edge of the 3534 Managed Hub. This address is for the external Ethernet connection.

If you can, use this default address to attach to your local area network (LAN) to establish a network connection to the 3534 Managed Hub. See Figure 7 for Ethernet and serial port locations on the 3534 Managed Hub. You can change this IP address later using a Telnet command or StorWatch Specialist issued from any server having access to the same LAN. This is the easiest way to set the IP address. You will need to ask your system administrator if the default address can be used.

If using the default IP address is not possible, the IP address will have to be set using the Ethernet port or the serial port. Set the IP address using the information provided by the system administrator found on the pre-installation checklist.

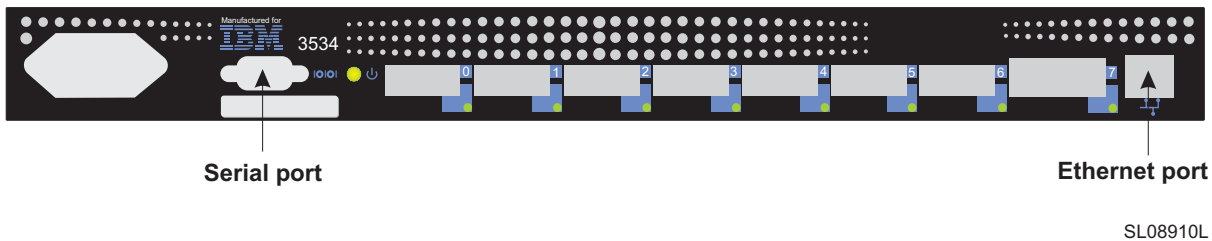


Figure 7. 3534 Managed Hub

## Setting the Managed Hub Name

Figure 8 shows the **switchName** command, which sets the name of the 3534 Managed Hub. The new name of the managed hub must be enclosed in quotes as indicated. The command syntax is:

```
switchName "new_name_of_hub"
```

```
switch:admin> switchName "sw3"  
Updating flash...
```

Figure 8. **switchName** command example

This step is critical if you intend on using the StorWatch Specialist to connect to the managed hub through a web browser. This name must resolve to the IP address assigned by your network administrator on the client system you are using to connect to the managed hub through the StorWatch Specialist. Failure to do this results in poor performance when using a web browser to managed the managed hub.

**Note:** This command is only available to admin-level users. Certain restrictions apply to the length and format of the 3534 Managed Hub name.

## Setting the IP address using the Ethernet port

Before attempting to set the IP address using the Ethernet port, the system administrator should provide a host on the same subnet as the 3534 Managed Hub. A secondary address should be set to 10.77.77.1 (or a similar unassigned and available address other than the address of the 3534 Managed Hub) with a mask of 255.255.255.0.

If you cannot use this method, go to “Setting the IP address using the serial port” on page 9.

1. Attach the LAN to the front panel of the 3534 Managed Hub by plugging an existing Ethernet 10/100BaseT LAN cable to the RJ-45 connector on the front of the 3534 Managed Hub.
2. Turn on the 3534 Managed Hub by plugging it into a electrical outlet. Make sure that the power cord is fully seated into the front of the unit, and the green ready LED is on. Wait 2 minutes for diagnostics to complete.
3. From a LAN attached server, type the Telnet IP address. If this is the initial installation, use the default IP address found on the label on the top left corner of the 3534 Managed Hub. If the 3534 Managed Hub has been installed before using the IP address on the label, continue using the current address from the label. If the IP address on the label was not used, you will need to get the current IP address from the system administrator.

The 3534 Managed Hub responds as shown below. For each prompt, type in the information as shown and press Enter.

- a. Login: admin  
The 3534 Managed Hub is shipped with this as the default administrator name.
  - b. Password: password  
This is the default password. You will not see the password as you type.
  - c. Ippaddress:admin> ipAddrSet  
This is the command to set the IP address.
  - d. Ethernet IP address [current address will be shown]: new IP address.  
This is the new address from the system administrator.
  - e. Ethernet Subnetmask [Current sub net mask will be shown or None]: new Subnetmask or press Enter.  
This is the new Subnet mask from the system administrator or, if none is required, press Enter.
  - f. Fibre Channel IP Address [None]: press Enter.  
Fibre Channel Subnetmask [None]: press Enter.
  - g. Gateway Address [Current Gateway address or None]: enter new Gateway address or press Enter.  
This is the Gateway address the system administrator provided or, if none is required, press Enter.
  - h. Ippaddress:admin> logout
4. This ends the Telnet session. You have completed the installation of the 3534 Managed Hub. To check the 3534 Managed Hub's fibre channel ports, see "Verifying 3534 Managed Hub installation" on page 15.

## Setting the IP address using the serial port

**Important:** Opening a HyperTerminal session varies depending on which version of Windows® you are using. The following procedure is based upon the use of a laptop computer running Windows® 98. To start a HyperTerminal session, go to **Start => Programs => Accessories**.

**Important:** Do not use a null modem cable. Be sure that you use the serial cable shipped with the 3534 Managed Hub to connect to the serial port on the 3534 Managed Hub, or another female-female cable that has "straight through" connections for the signal lines.

Perform the following steps to set or change the IP address using the serial port:

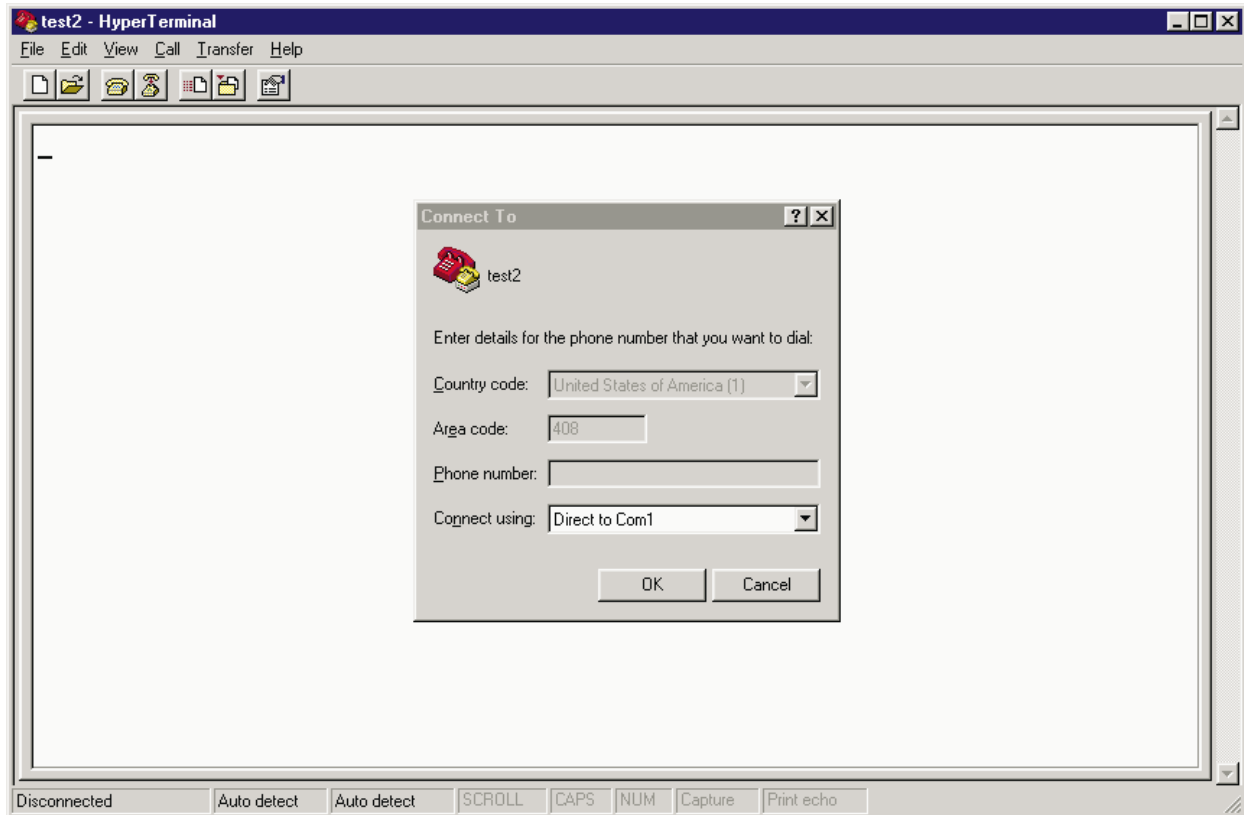
1. Using the serial cable that came with the 3534 Managed Hub, connect your service terminal (PC or laptop) to the serial port prior to plugging the 3534 Managed Hub into the electrical outlet.
2. Open a HyperTerminal session and configure it as follows:
  - a. In the Connection Description window as shown in Figure 9, type the name you want to use for your new session, select any icon from the icon menu shown in Figure 9 and click OK.



SL08939P

Figure 9. Connection Description window

- b. The Connect To window appears as shown in Figure 10 on page 11. In this window, change the connect using setting from the default to Direct to Com 1 and click OK.



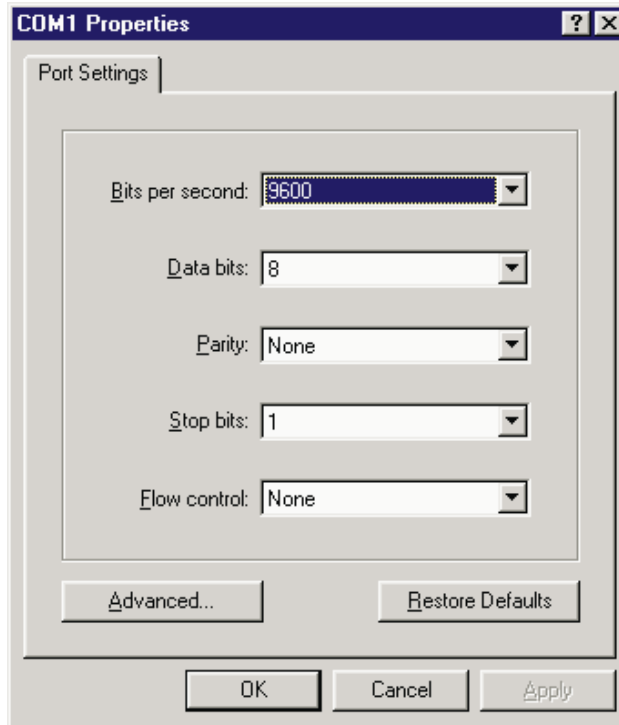
SL08940P

Figure 10. Connect to window

- c. The COM 1. Properties window appears as shown in Figure 11 on page 12. Set the following parameters in the Port Settings tab:

Bits per second: 9600  
Data bits: 8  
Parity: None  
Stop bits: 1  
Flow control: None

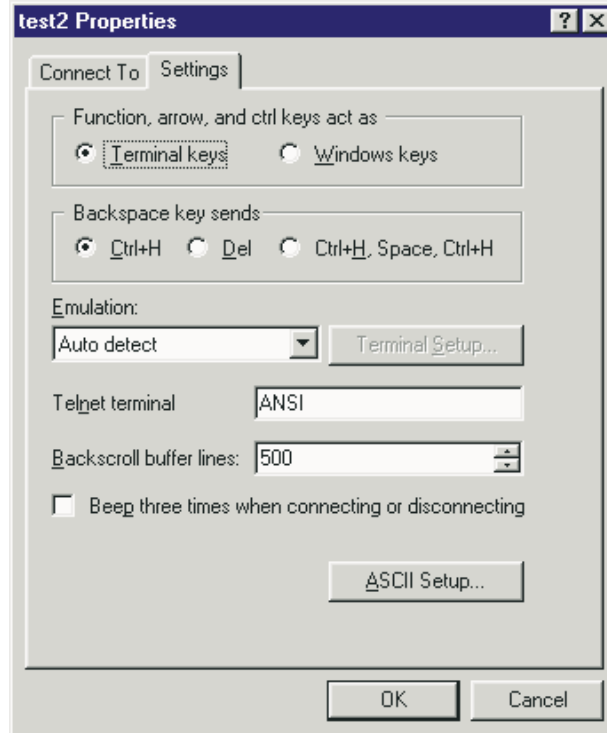
Then click OK.



SL08936N

Figure 11. COM1 Properties - Port Settings window

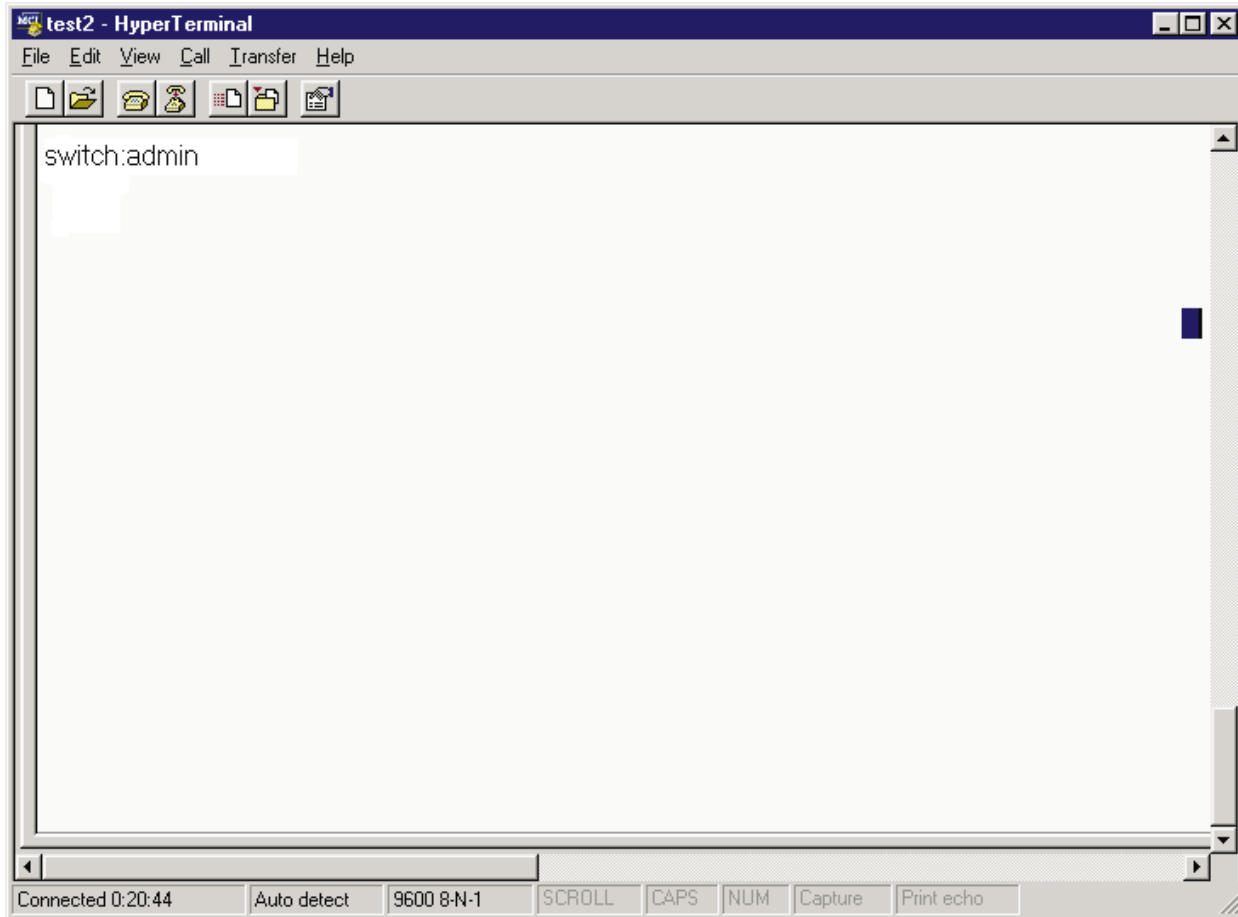
- d. Click on **File => Properties**. The Properties window appears. Select the Settings tab, set the Emulation field to autodetect as shown in Figure 12 on page 13, then click OK.



SL08937N

Figure 12. Settings - Emulation window

3. Start up the 3534 Managed Hub by inserting power cord into electrical outlet and waiting for about 2 minutes for diagnostics to complete. Make sure that the power cord is fully seated into the front of the unit, and the green ready LED is on.
4. Press Enter on your service terminal (PC or laptop).  
The 3534 Managed Hub responds:  
Admin>  
The HyperTerminal session is now running as shown in Figure 13 on page 14.



SL08934P

Figure 13. HyperTerminal session

For each prompt, type in the information as shown and press Enter at the end of each response.

- a. Admin> ipAddrSet  
This is the command to set the IP address.
  - b. Ethernet IP address [Current ipaddress or None]: new IP addr  
This is the new address from the system administrator.
  - c. Ethernet Subnetmask [Current subnet mask or None]: new Subnetmask or press Enter.  
This is the new Subnetmask from the system administrator.
  - d. Fibre Channel IP Address [None]: press Enter.
  - e. Fibre Channel Subnetmask [None]: press Enter.
  - f. Gateway Address [Current Gateway address or None]: new Gateway address or press Enter.  
This is the new Gateway address from the system administrator.
  - g. Admin> Logout
5. This ends the Serial port session. You have completed the installation of the 3534 Managed Hub. Remove the cable from the serial port connector. To check the 3534 Managed Hub's fibre channel ports before turning the 3534 Managed Hub over to the system administrator, see "Verifying 3534 Managed Hub installation" on page 15.



---

## Verifying 3534 Managed Hub installation

To verify that the 3534 Managed Hub was installed correctly, perform the following:

1. Unplug the 3534 Managed Hub.

### **DANGER**

**An electrical outlet that is not correctly wired could place hazardous voltage on metal parts of the system or the products that attach to the system. It is the customer's responsibility to ensure that the outlet is correctly wired and grounded to prevent an electrical shock. (72XXD201)**

2. Plug the 3534 Managed Hub power cord into the electrical outlet.
3. Verify that the ready LED is on.
4. Wait 2 minutes while POST diagnostics run.
5. Verify that the 3534 Managed Hub ready LED is on.
6. Plug the appropriate wrap connector (black for short wavelength and grey for long wavelength) into each port, one at a time. Verify that each associated port LED is slowly blinking green.  
Ports 0 - 6 are short wavelength. If a GBIC is installed, port 7 can be either short or long wavelength.
7. If any of the above checks fail, refer to the "Problem determination" section in the *IBM 3534 SAN Fibre Channel Managed Hub Managed Hub Installation and Service Guide*, SY27-7616. Otherwise, turn the 3534 Managed Hub over to the system administrator for use.

---

## Downloading firmware

The 3534 Managed Hub is shipped with the latest level of code (firmware) available. However, new code is released that you can easily download to the 3534 Managed Hub. This task requires that you save data and executable software to your server.

The latest code can be obtained from the SAN Fibre Channel 3534 Managed Hub Web site:

<http://www.ibm.com/storage/fchub>

This site provides instructions for downloading the firmware and loading it on the 3534 Managed Hub. Loading new code can be done without disrupting 3534 Managed Hub activity. To make the new code functional, however, you will need to restart the 3534 Managed Hub.

## Firmware upgrade procedure

You can download firmware to the 3534 Managed Hub from either a UNIX<sup>®</sup> host or a Windows host. For a UNIX host, no special software is needed. For Windows, you will need the daemon to support a remote shell (RSH) with the firmware. This daemon is available from the SAN Fibre Channel 3534 Managed Hub Web site. Firmware download is done using the RPC command running on top of TCP between the 3534 Managed Hub and the host.

### **Downloading firmware from a UNIX host**

1. Download the firmware from the SAN Fibre Channel 3534 Managed Hub Web site. Remember the directory where you save the code.

Code can only be loaded to the 3534 Managed Hub over the Ethernet LAN port.

2. Start a Telnet session to the 3534 Managed Hub from a LAN-attached server that has connectivity to the 3534 Managed Hub.

The command format is:

```
telnet [managed hub IP address]
```

3. Login as "admin".

```
login: admin
```

4. Password: password

Respond to the password prompt with the current admin password. The 3534 Managed Hub is shipped with a default password of password.

5. Type the following command:

```
firmwareDownload ["host name/IP address"], ["user name"], ["filename"]
```

For example: `firmwareDownload "192.111.2.1", "timm", "/tmp/os/v2.1.3"`

**Note:** The host name is the host name or the host IP address; the username is a valid host username; and the filename is a path to the new firmware file.

The RSH server validates the user and delivers the file to the 3534 Managed Hub, where it is stored in flash memory.

#### **DANGER**

**An electrical outlet that is not correctly wired could place hazardous voltage on metal parts of the system or the products that attach to the system. It is the customer's responsibility to ensure that the outlet is correctly wired and grounded to prevent an electrical shock. (72XXD201)**

6. Unplug the 3534 Managed Hub power cord, then plug the power cord back into the electrical outlet to initiate the new firmware.

#### **Downloading firmware from a Windows host**

1. Download the firmware from the SAN fibre channel 3534 Managed Hub Web site. Remember the directory where you save the code.
2. Download the two utilities (rshd.exe and cat.exe) from the Web site into the same directory as the firmware.
3. In a DOS window, type rshd to execute the RSH daemon.  
There is no need to execute cat.exe; this is done automatically.
4. Go to "Downloading firmware from a UNIX host" on page 15. Follow step 2 through step 6.

**Note:** When downloading to a 3534 Managed Hub using the **firmwareDownload** command, you must use UNIX directory (forward slash /) addressing, and not PC (backward slash \) directory addressing for the directory location in the command. For example, from NT the **firmwareDownload** command firmware would be:

```
firmwareDownload "192.111.2.1", "timm", "/tmp/os/v2.1.3".
```

---

## Notices

This information was developed for products and services offered in the U.S.A.

IBM may not offer the products, services, or features discussed in this document in other countries. Consult your local IBM representative for information on the products and services currently available in your area. Any reference to an IBM product, program, or service is not intended to state or imply that only that IBM product, program, or service may be used. Any functionally equivalent product, program, or service that does not infringe any IBM intellectual property right may be used instead. However, it is the user's responsibility to evaluate and verify the operation of any non-IBM product, program, or service.

IBM may have patents or pending patent applications covering subject matter described in this document. The furnishing of this document does not give you any license to these patents. You can send license inquiries, in writing, to:

IBM Director of Licensing  
IBM Corporation  
North Castle Drive  
Armonk, NY 10504-1785  
U.S.A

---

## Trademarks

The following terms are trademarks of the International Business Machines Corporation in the United States or other countries, or both:

- IBM
- IBM 3534 Managed Hub
- StorWatch
- Netfinity

Java and all Java-based trademarks are trademarks of Sun Microsystems, Inc. in the United States, other countries, or both.

Microsoft, Windows 98, and Windows NT are registered trademarks of Microsoft Corporation in the United States, other countries, or both.

UNIX is a registered trademark of The Open Group in the United States and other countries.

Other company, product, and service names may be trademarks or service marks of others.

HyperTerminal is a trademark of Hilgraeve Inc.

---

## Electronic emission notices

This section gives the electronic emission notices or statements for the United States and other countries.

## Federal Communications Commission (FCC) statement

This equipment has been tested and found to comply with the limits for a Class A digital device, pursuant to Part 15 of the FCC Rules. These limits are designed to provide reasonable protection against harmful interference when the equipment is operated in a commercial environment. This equipment generates, uses, and can radiate radio frequency energy and, if not installed and used in accordance with the instruction manual, may cause harmful interference to radio communications. Operation of this equipment in a residential area is likely to cause harmful interference, in which case the user will be required to correct the interference at his own expense.

Properly shielded and grounded cables and connectors must be used in order to meet FCC emission limits. IBM is not responsible for any radio or television interference caused by using other than recommended cables and connectors, or by unauthorized changes or modifications to this equipment. Unauthorized changes or modifications could void the user's authority to operate the equipment.

This device complies with Part 15 of the FCC Rules. Operation is subject to the following two conditions: (1) this device may not cause harmful interference, and (2) this device must accept any interference received, including interference that may cause undesired operation.

## Industry Canada compliance statement

This Class A digital apparatus complies with Canadian ICES-003.

**Avis de conformite a la reglementation d'Industrie Canada:** Cet appareil numerique de la classe A est conform a la norme NMB-003 du Canada.

## European community compliance statement

This product is in conformity with the protection requirements of EC Council Directive 89/336/EEC on the approximation of the laws of the Member States relating to electromagnetic compatibility. IBM cannot accept responsibility for any failure to satisfy the protection requirements resulting from a nonrecommended modification of the product, including the fitting of non-IBM option cards.

This product has been tested and found to comply with the limits for Class A Information Technology Equipment according to European Standard EN 55022. The limits for Class A equipment were derived for commercial and industrial environments to provide reasonable protection against interference with licensed communication equipment.

Attention: This is a Class A product. In a domestic environment, this product may cause radio interference in which case the user may be required to take adequate measures.

Where shielded or special cables (for example, cables fitted with ferrites) are used in the test to make the product comply with the limits:

Properly shielded and grounded cables and connectors must be used in order to reduce the potential for causing interference to radio and TV communications and to other electrical or electronic equipment. Such cables and connectors are available from IBM authorized dealers. IBM cannot accept responsibility for any interference caused by using other than recommended cables and connectors.

## Germany only

Zulassungsbescheinigung laut Gesetz ueber die elektromagnetische Vertraeglichkeit von Geraeten (EMVG) vom 30. August 1995.

Dieses Geraet ist berechtigt, in Uebereinstimmung mit dem deutschen EMVG das EG-Konformitaetszeichen - CE - zu fuehren.

Der Aussteller der Konformitaetserklaeung ist die IBM Deutschland.

Informationen in Hinsicht EMVG Paragraph 3 Abs. (2) 2:

Das Geraet erfuellt die Schutzanforderungen nach EN 50082-1 und EN 55022 Klasse A.

EN 55022 Klasse A Geraete beduerfen folgender Hinweise:

Nach dem EMVG:

“Geraete duerfen an Orten, fuer die sie nicht ausreichend entstoert sind, nur mit besonderer Genehmigung des Bundesministeriums fuer Post und Telekommunikation oder des Bundesamtes fuer Post und Telekommunikation betrieben werden. Die Genehmigung wird erteilt, wenn keine elektromagnetischen Stoerungen zu erwarten sind.” (Auszug aus dem EMVG, Paragraph 3, Abs.4)

Dieses Genehmigungsverfahren ist nach Paragraph 9 EMVG in Verbindung mit der entsprechenden Kostenverordnung (Amtsblatt 14/93) kostenpflichtig.

Nach der EN 55022:

“Dies ist eine Einrichtung der Klasse A. Diese Einrichtung kann im Wohnbereich Funkstoerungen verursachen. in diesem Fall kann vom Betreiber verlangt werden, angemessene Massnahmen durchzufuehren und dafuer aufzukommen.”

Anmerkung:

Um die Einhaltung des EMVG sicherzustellen, sind die Geraete wie in den Handbuechern angegeben zu installieren und zu betreiben.

## Japanese Voluntary Control Council for Interference (VCCI) class 1 statement

この装置は、情報処理装置等電波障害自主規制協議会（VCCI）の基準に基づくクラス A 情報技術装置です。この装置を家庭環境で使用すると電波妨害を引き起こすことがあります。この場合には使用者が適切な対策を講ずるよう要求されることがあります。

## Taiwan class A compliance statement

### 警告使用者:

這是甲類的資訊產品，在居住的環境中使用時，可能會造成射頻干擾，在這種情況下，使用者會被要求採取某些適當的對策。

---

## IBM license for machine code

Regardless of how you acquire (electronically, preloaded, on media or otherwise) BIOS, Utilities, Diagnostics, Device Drivers or Microcode (collectively called "Machine Code"), you accept the terms of this Agreement by your initial use of a Machine or Machine Code. The term "Machine" means an IBM machine, its features, conversions, upgrades, elements or accessories, or any combination of them. Acceptance of these license terms authorizes you to use Machine Code with the specific product for which it is provided.

International Business Machines Corporation or one of its subsidiaries ("IBM"), or an IBM supplier, owns copyrights in Machine Code.

IBM grants you a nonexclusive license to use Machine Code only in conjunction with a Machine. As the rightful possessor of a Machine, you may make a reasonable number of copies of Machine Code as necessary for backup, configuration, and restoration of the Machine. You must reproduce the copyright notice and any other legend of ownership on each copy of Machine Code you make.

You may transfer possession of Machine Code and its media to another party only with the transfer of the Machine on which the Machine Code is used. If you do so, you must give the other party a copy of these terms and provide all user documentation to that party. When you do so, you must destroy all your copies of Machine Code.

Your license for Machine Code terminates when you no longer rightfully possess the Machine.

No other rights under this license are granted.

You may not, for example, do any of the following:

1. Otherwise copy, display, transfer, adapt, modify, or distribute in any form, Machine Code, except as IBM may authorize in a Machine's user documentation.
2. Reverse assemble, reverse compile, or otherwise translate the Machine Code, unless expressly permitted by applicable law without the possibility of contractual waiver;
3. Sublicense or assign the license for the Machine Code; or
4. Lease the Machine Code or any copy of it.

The terms of IBM's Machine warranty, which is incorporated into this Agreement by reference, apply to Machine Code. Please refer to that warranty for any questions or claims regarding performance or liability for Machine Code.

---

## Statement of limited warranty

International Business Machines Corporation Armonk, New York, 10504

The warranties provided by IBM in this Statement of Limited Warranty (Form Z125-4753) apply only to Machines you originally purchase for your use, and not for resale, from IBM or your reseller. The term "Machine" means an IBM machine, its features, conversions, upgrades, elements, or accessories, or any combination of them.

Unless IBM specifies otherwise, the following warranties apply only in the country where you acquire the Machine. If you have any questions, contact IBM or your reseller.

Machine: IBM 3534 SAN Fibre Channel Managed Hub

Warranty Period: One Year.\*

\*Contact your place of purchase for warranty service information.

## Production status

Each Machine is manufactured from new parts, or new and used parts. In some cases, the Machine may not be new and may have been previously installed. Regardless of the Machine's production status, IBM's warranty terms apply.

## IBM warranty for machines

IBM warrants that each Machine 1) is free from defects in materials and workmanship and 2) conforms to IBM's Official Published Specifications. The warranty period for a Machine is a specified, fixed period commencing on its Date of Installation. The date on your receipt is the Date of Installation, unless IBM or your reseller informs you otherwise.

During the warranty period IBM or your reseller, if authorized by IBM, will provide warranty service under the type of service designated for the Machine and will manage and install engineering changes that apply to the Machine.

For IBM or your reseller to provide warranty service for a feature, conversion, or upgrade, IBM or your reseller may require that the Machine on which it is installed be 1) for certain Machines, the designated, serial-numbered Machine and 2) at an engineering-change level compatible with the feature, conversion, or upgrade. Many of these transactions involve the removal of parts and their return to IBM. You represent that all removed parts are genuine and unaltered. A part that replaces a removed part will assume the warranty service status of the replaced part.

If a Machine does not function as warranted during the warranty period, IBM or your reseller will repair it or replace it with one that is at least functionally equivalent, without charge. The replacement may not be new, but will be in good working order. If IBM or your reseller is unable to repair or replace the Machine, you may return it to your place of purchase and your money will be refunded.

If you transfer a Machine to another user, warranty service is available to that user for the remainder of the warranty period. You should give your proof of purchase and this Statement to that user. However, for Machines which have a life-time warranty, this warranty is not transferable.



## Warranty service

To obtain warranty service for the Machine, you should contact your reseller or call IBM. In the United States, call IBM at 1-800-IBM-SERV (426-7378). In Canada, call IBM at 1-800-465-6666. You may be required to present proof of purchase.

IBM or your reseller will provide certain types of repair and exchange service, either at your location or at IBM's or your reseller's service center, to restore a Machine to good working order.

When a type of service involves the exchange of a Machine or part, the item IBM or your reseller replaces becomes its property and the replacement becomes yours. You represent that all removed items are genuine and unaltered. The replacement may not be new, but will be in good working order and at least functionally equivalent to the item replaced. The replacement assumes the warranty service status of the replaced item. Before IBM or your reseller exchanges a Machine or part, you agree to remove all features, parts, options, alterations, and attachments not under warranty service. You also agree to ensure that the Machine is free of any legal obligations or restrictions that prevent its exchange.

You agree to:

1. Obtain authorization from the owner to have IBM or your reseller service a Machine that you do not own; and
2. Where applicable, before service is provided:
  - a. Follow the problem determination, problem analysis, and service request procedures that IBM or your reseller provide,
  - b. Secure all programs, data, and funds contained in a Machine, and
  - c. Inform IBM or your reseller of changes in a Machine's location.

IBM is responsible for loss of, or damage to, your Machine while it is 1) in IBM's possession or 2) in transit in those cases where IBM is responsible for the transportation charges.

## Extent of warranty

IBM does not warrant uninterrupted or error-free operation of a Machine.

The warranties may be voided by misuse, accident, modification, unsuitable physical or operating environment, improper maintenance by you, removal or alteration of Machine or parts identification labels, or failure caused by a product for which IBM is not responsible.

THESE WARRANTIES REPLACE ALL OTHER WARRANTIES OR CONDITIONS, EXPRESS OR IMPLIED, INCLUDING, BUT NOT LIMITED TO, THE IMPLIED WARRANTIES OR CONDITIONS OF MERCHANTABILITY AND FITNESS FOR A PARTICULAR PURPOSE. THESE WARRANTIES GIVE YOU SPECIFIC LEGAL RIGHTS AND YOU MAY ALSO HAVE OTHER RIGHTS WHICH VARY FROM JURISDICTION TO JURISDICTION. SOME JURISDICTIONS DO NOT ALLOW THE EXCLUSION OR LIMITATION OF EXPRESS OR IMPLIED WARRANTIES, SO THE ABOVE EXCLUSION OR LIMITATION MAY NOT APPLY TO YOU. IN THAT EVENT SUCH WARRANTIES ARE LIMITED IN DURATION TO THE WARRANTY PERIOD. NO WARRANTIES APPLY AFTER THAT PERIOD.

## Limitation of liability

Circumstances may arise where, because of a default on IBM's part or other liability you are entitled to recover damages from IBM. In each such instance, regardless of



the basis on which you are entitled to claim damages from IBM (including fundamental breach, negligence, misrepresentation, or other contract or tort claim), IBM is liable only for:

1. Damages for bodily injury (including death) and damage to real property and tangible personal property; and
2. The amount of any other actual direct damages or loss, up to the greater of U.S. \$100, 000 or the charges (if recurring, 12 months' charges apply) for the Machine that is the subject of the claim.

UNDER NO CIRCUMSTANCES IS IBM LIABLE FOR ANY OF THE FOLLOWING: 1) THIRD-PARTY CLAIMS AGAINST YOU FOR LOSSES OR DAMAGES (OTHER THAN THOSE UNDER THE FIRST ITEM LISTED ABOVE); 2) LOSS OF, OR DAMAGE TO, YOUR RECORDS OR DATA; OR 3) SPECIAL, INCIDENTAL, OR INDIRECT DAMAGES OR FOR ANY ECONOMIC CONSEQUENTIAL DAMAGES (INCLUDING LOST PROFITS OR SAVINGS), EVEN IF IBM OR YOUR RESELLER IS INFORMED OF THEIR POSSIBILITY. SOME JURISDICTIONS DO NOT ALLOW THE EXCLUSION OR LIMITATION OF INCIDENTAL OR CONSEQUENTIAL DAMAGES, SO THE ABOVE EXCLUSION OR LIMITATION MAY NOT APPLY TO YOU.



---

# Index

## Numerics

- 3534 Managed Hub, installing the 1
- 3534 Managed Hub installation, verifying 15
- 9306 Netfinity racks 4

## A

- about this guide ix
- ac power, remove vii
- address, default IP 7

## B

- battery notice caution viii

## C

- caution, battery notice viii
- check, external machine vii
- checklist, customer pre-installation 1
- compliance statement, European community 18
- compliance statement, Industry Canada 18
- customer pre-installation checklist 1

## D

- daemon, RSH 16
- default IP address 7
- desktop installation 2
- downloading firmware 15
- downloading firmware from a UNIX host 15
- downloading firmware from a Windows host 16

## E

- electronic emission notices 17
- emission notices, electronic 17
- environmental notices, safety and vii
- Ethernet 8
- Ethernet port, setting the IP address using the 8
- European community compliance statement 18
- extent of warranty 22
- external machine check vii

## F

- Federal Communications Commission (FCC) statement 18
- firmware, downloading 15
- firmware upgrade procedure 15
- flush-mount doors, racks with 4

## G

- GBIC, installing the 7
- general restrictions viii
- Germany compliance addendum 19

- guide, who should use this ix

## H

- host bus adapters, supported 1
- Hub, installing the 3534 Managed 1
- Hub installation, verifying 3534 Managed 15
- Hub name, setting the Managed 8
- HyperTerminal 9

## I

- IBM license for machine code 20
- IBM warranty for machines 21
- Industry Canada compliance statement 18
- inspection, safety vii
- installation, desktop 2
- installation, rack mount 3
- installation, verifying 3534 Managed Hub 15
- installation instructions 2
- installing the 3534 Managed Hub 1
- installing the GBIC 7
- instructions, installation 2
- IP address, default 7
- IP address, setting the 7

## J

- Japanese Voluntary Control Council for Interference (VCCI) class 1 statement 19

## L

- laser safety viii
- liability, limitation of 22
- license for machine code, IBM 20
- limitation of liability 22
- limited warranty, Statement of 21

## M

- machine check, external vii
- machine code, IBM license for 20
- machines, IBM warranty for 21
- Managed Hub, installing the 3534 1
- Managed Hub installation, verifying 3534 15
- Managed Hub name, setting the 8
- missing parts 2

## N

- Netfinity racks, 9306 4
- notice caution, battery viii
- notices 17
- notices, electronic emission 17
- notices, safety and environmental vii
- notices, translated safety vii

## P

- parts, missing 2
- parts replacement 2

- platforms, supported 1
- power, remove ac vii
- pre-installation checklist, customer 1
- product recycling viii
- production status 21
- publications, related ix

- warranty service 22
- web sites ix
- who should use this guide ix
- Windows host, downloading firmware from a 16

## R

- rack mount installation 3
- racks, 9306 Netfinity 4
- racks with flush-mount doors 4
- recycling, product viii
- related publications ix
- remove ac power vii
- replacement, parts 2
- required, tools 3
- restrictions, general viii
- restrictions, usage viii
- RSH daemon 16

## S

- safety, laser viii
- safety and environmental notices vii
- safety inspection vii
- safety notices, translated vii
- serial port, setting the IP address using the 9
- setting the IP address 7
- setting the IP address using the Ethernet port 8
- setting the IP address using the serial port 9
- setting the Managed Hub name 8
- statement of limited warranty 21
- StorWatch Specialist 8
- subnet mask 8
- supported host bus adapters 1
- supported platforms 1

## T

- Taiwan class A compliance statement 20
- Telnet 8
- tools required 3
- trademarks 17
- translated safety notices vii

## U

- UNIX host, downloading firmware from a 15
- upgrade procedure, firmware 15
- usage restrictions viii

## V

- verifying 3534 Managed Hub installation 15

## W

- warranty, extent of 22
- warranty, Statement of limited 21
- warranty for machines, IBM 21

---

# Readers' comments — we would like to hear from you.

**IBM 3534 SAN Fibre Channel Managed Hub  
Translations for Installing the Managed Hub**

**Publication No. SY27-7621-00**

**Overall, how satisfied are you with the information in this book?**

	Very Satisfied	Satisfied	Neutral	Dissatisfied	Very Dissatisfied
Overall satisfaction	<input type="checkbox"/>	<input type="checkbox"/>	<input type="checkbox"/>	<input type="checkbox"/>	<input type="checkbox"/>

**How satisfied are you that the information in this book is:**

	Very Satisfied	Satisfied	Neutral	Dissatisfied	Very Dissatisfied
Accurate	<input type="checkbox"/>	<input type="checkbox"/>	<input type="checkbox"/>	<input type="checkbox"/>	<input type="checkbox"/>
Complete	<input type="checkbox"/>	<input type="checkbox"/>	<input type="checkbox"/>	<input type="checkbox"/>	<input type="checkbox"/>
Easy to find	<input type="checkbox"/>	<input type="checkbox"/>	<input type="checkbox"/>	<input type="checkbox"/>	<input type="checkbox"/>
Easy to understand	<input type="checkbox"/>	<input type="checkbox"/>	<input type="checkbox"/>	<input type="checkbox"/>	<input type="checkbox"/>
Well organized	<input type="checkbox"/>	<input type="checkbox"/>	<input type="checkbox"/>	<input type="checkbox"/>	<input type="checkbox"/>
Applicable to your tasks	<input type="checkbox"/>	<input type="checkbox"/>	<input type="checkbox"/>	<input type="checkbox"/>	<input type="checkbox"/>

**Please tell us how we can improve this book:**

Thank you for your responses. May we contact you?  Yes  No

When you send comments to IBM, you grant IBM a nonexclusive right to use or distribute your comments in any way it believes appropriate without incurring any obligation to you.

---

Name

---

Address

---

Company or Organization

---

Phone No.



Fold and Tape

Please do not staple

Fold and Tape



NO POSTAGE  
NECESSARY  
IF MAILED IN THE  
UNITED STATES

# BUSINESS REPLY MAIL

FIRST-CLASS MAIL PERMIT NO. 40 ARMONK, NEW YORK

POSTAGE WILL BE PAID BY ADDRESSEE

International Business Machines Corporation  
RCF Processing Department  
Dept. G26/Bldg. 050-3  
5600 Cottle Road  
San Jose, CA  
U.S.A. 95193-0001



Fold and Tape

Please do not staple

Fold and Tape





Printed in the United States of America  
on recycled paper containing 10%  
recovered post-consumer fiber.

SY27-7621-00





---

## Part 2. France

This part contains the French translation of the *IBM 3534 SAN Fibre Channel Managed Hub, Translations for Installing the Managed Hub*.



Concentrateur géré IBM 3534 Fibre Channel  
pour réseau SAN



# Guide d'installation

**Remarque**

Avant d'utiliser le présent document et le produit associé, prenez connaissance des informations générales figurant aux sections «Consignes relatives à la sécurité et à l'environnement» à la page vii et «Remarques» à la page 19.

**Première édition – juillet 2000**

Réf. US : SY27-7621-00

LE PRESENT DOCUMENT EST LIVRE "EN L'ETAT". IBM DECLINE TOUTE RESPONSABILITE, EXPRESSE OU IMPLICITE, RELATIVE AUX INFORMATIONS QUI Y SONT CONTENUES, Y COMPRIS EN CE QUI CONCERNE LES GARANTIES DE QUALITE MARCHANDE OU D'ADAPTATION A VOS BESOINS. Certaines juridictions n'autorisent pas l'exclusion des garanties implicites, auquel cas l'exclusion ci-dessus ne vous sera pas applicable.

Ce document est mis à jour périodiquement. Chaque nouvelle édition inclut les mises à jour. Les informations qui y sont fournies sont susceptibles d'être modifiées avant que les produits décrits ne deviennent eux-mêmes disponibles. En outre, il peut contenir des informations ou des références concernant certains produits, logiciels ou services non annoncés dans ce pays. Cela ne signifie cependant pas qu'ils y seront annoncés.

Pour plus de détails, pour toute demande d'ordre technique, ou pour obtenir des exemplaires de documents IBM, référez-vous aux documents d'annonce disponibles dans votre pays, ou adressez-vous à votre partenaire commercial.

Vous pouvez également consulter les serveurs Internet suivants :

- <http://www.fr.ibm.com> (serveur IBM en France)
- <http://www.can.ibm.com> (serveur IBM au Canada)
- <http://www.ibm.com> (serveur IBM aux Etats-Unis)

Compagnie IBM France  
Direction Qualité  
Tour Descartes  
92066 Paris-La Défense Cedex 50

© Copyright IBM France 2000. Tous droits réservés.

© Copyright International Business Machines Corporation 2000. All rights reserved.

---

# Table des matières

<b>Figures</b> . . . . .	v
<b>Consignes relatives à la sécurité et à l'environnement</b> . . . . .	vii
Traduction des consignes de sécurité. . . . .	vii
Contrôles de sécurité. . . . .	vii
Coupure de l'alimentation CA. . . . .	vii
Vérification externe de la machine . . . . .	vii
Consigne relative à la pile. . . . .	viii
Recyclage . . . . .	viii
Conformités aux normes relatives aux appareils à laser. . . . .	viii
Restrictions générales . . . . .	viii
Restrictions d'utilisation. . . . .	viii
<b>Préface.</b> . . . . .	ix
A qui s'adresse ce guide . . . . .	ix
Bibliographie . . . . .	ix
Sites Web . . . . .	ix
<b>Installation du concentrateur géré IBM 3534</b> . . . . .	1
Liste de contrôle préalable à l'installation. . . . .	1
Instructions d'installation . . . . .	2
Installation sur un bureau . . . . .	3
Installation dans une armoire . . . . .	3
Installation du port GBIC. . . . .	7
Définition de l'adresse IP . . . . .	7
Définition du nom du concentrateur géré . . . . .	8
Définition de l'adresse IP via le port Ethernet . . . . .	8
Définition de l'adresse IP via le port série . . . . .	9
Vérification de l'installation du concentrateur géré IBM 3534 . . . . .	15
Téléchargement du microcode . . . . .	15
Procédure de mise à niveau du microcode. . . . .	16
<b>Remarques</b> . . . . .	19
Marques . . . . .	20
Emissions électroniques . . . . .	20
Recommandations de la Federal Communications Commission (FCC) . . . . .	20
Avis de conformité à la réglementation d'Industrie Canada . . . . .	21
Avis de conformité à la réglementation de l'Union Européenne. . . . .	21
Germany only . . . . .	21
Japanese Voluntary Control Council for Interference (VCCI) class 1 statement . . . . .	22
Taiwan class A compliance statement . . . . .	22
Licence IBM pour le code machine . . . . .	22
Déclarations de garantie . . . . .	23
Déclaration de garantie pour tous les pays, à l'exception du Canada, des Etats-Unis, de Porto Rico et de la Turquie (Section 1 - Dispositions générales) . . . . .	23
Conditions spécifiques aux différents pays (Section 2 - Dispositions nationales particulières) . . . . .	26
<b>Index</b> . . . . .	33



---

## Figures

1. Glissière . . . . .	4
2. Montage de la partie coulissante de la glissière et des oreillettes de blocage sur le concentrateur géré IBM 3534 . . . . .	5
3. Montage de la partie fixe de la glissière et fixation des oreillettes . . . . .	6
4. Insertion des glissières dans les rails de l'armoire . . . . .	6
5. Emplacement du port GBIC . . . . .	7
6. Face avant du port GBIC . . . . .	7
7. Concentrateur géré IBM 3534 . . . . .	8
8. Exemple de commande <b>switchName</b> . . . . .	8
9. Fenêtre Connection Description (non disponible en français au moment de l'impression du document) . . . . .	10
10. Fenêtre Connect To (non disponible en français au moment de l'impression du document). . . . .	11
11. Fenêtre COM1 Properties - Port Settings (non disponible en français au moment de l'impression du document) . . . . .	12
12. Fenêtre Settings - Emulation (non disponible en français au moment de l'impression du document) . . . . .	13
13. Session HyperTerminal (non disponible en français au moment de l'impression du document)	14





---

## Consignes relatives à la sécurité et à l'environnement

Des consignes de sécurité figurent tout au long de ce guide. Les consignes de sécurité de type Danger indiquent la présence d'un risque de blessures graves, voire mortelles. Les consignes de sécurité de type Attention indiquent la présence d'un risque de blessures légères. Les consignes de sécurité de type Avertissement indiquent la présence d'un risque d'endommagement d'un programme, d'un dispositif, d'un système ou de données.

---

### Traduction des consignes de sécurité

La traduction des consignes de sécurité de ce guide figure dans un manuel distinct. Il s'agit du manuel IBM External Devices Safety Information, SA26-7003.

Les consignes traduites sont simples à localiser dans le manuel de sécurité car elles sont classées par leur ID. Dans l'exemple suivant, il suffit de rechercher l'ID (72XXD201).

#### **DANGER**

**Un mauvais câblage du socle de la prise de courant peut provoquer une mise sous tension dangereuse des parties métalliques du système ou des unités qui lui sont raccordées. Il appartient au client de s'assurer que le socle de prise de courant est correctement câblé et mis à la terre afin d'éviter tout risque de choc électrique. (72XXD201)**

#### **ATTENTION :**

**Les consignes de sécurité de type Attention indiquent la présence d'un risque de blessures légères. (RSFTC228)**

---

### Contrôles de sécurité

Effectuez les contrôles suivants. Prenez garde aux risques potentiels non traités dans les procédures de contrôle. En présence d'une situation à risque, déterminez-en la gravité et si vous pouvez continuer avant d'avoir remédié à l'incident.

### Coupure de l'alimentation CA

Pour couper l'alimentation en courant alternatif (CA), procédez comme suit :

1. Effectuez un arrêt contrôlé du système.
2. Débranchez le cordon d'alimentation de la prise de courant.

### Vérification externe de la machine

Effectuez les vérifications indiquées ci-dessous.

**Avertissement :** Seul le personnel de maintenance IBM compétent est autorisé à ouvrir cette machine qui est conçue pour être réparée à l'usine.

1. Assurez-vous que tous les panneaux et carters externes sont en place et intacts.
2. Vérifiez que tous les verrous et charnières sont en état de fonctionnement.
3. Si le concentrateur géré IBM 3534 n'est pas installé dans une armoire, assurez-vous que les pieds sont fixés et ne sont pas endommagés.

4. Vérifiez le cordon d'alimentation.
5. Vérifiez le câble d'interface.
6. Vérifiez la présence sur les panneaux d'angles à vif, de dommages ou d'altérations susceptibles d'exposer les composants internes de l'appareil.
7. Corrigez tout problème détecté.

---

## Consigne relative à la pile

Prenez garde aux risques d'incendie, d'explosion ou de brûlures graves liés à l'utilisation d'une pile au lithium. Ne rechargez pas la pile et ne la démontez pas. et ne la démontez pas. Ne l'exposez pas à une température supérieure à 100 °C, ne la soudez pas, ne la faites pas brûler et n'en exposez pas le contenu à l'eau. Gardez la pile hors de portée des enfants. Si vous la remplacez, commandez une pile de rechange de même référence. Toute autre pile risquerait de prendre feu ou d'exploser. Le connecteur de la pile est polarisé. N'essayez pas d'inverser la polarité. Ne mettez pas la pile à la poubelle. Pour le recyclage ou la mise au rebut, reportez-vous à la réglementation en vigueur.

---

## Recyclage

Cette unité contient des matériaux recyclables. Ceux-ci devront être recyclés dans des installations prévues à cet effet et conformément à la réglementation en vigueur. Dans certains pays, IBM propose un programme de reprise destiné à assurer le traitement adéquat des produits. Pour plus d'informations, prenez contact avec votre partenaire commercial IBM.

---

## Conformités aux normes relatives aux appareils à laser

Cette unité peut contenir un émetteur-récepteur en mode simple ou multiple. Ces émetteurs-récepteurs sont des appareils à laser de classe 1. Ces émetteurs-récepteurs sont conformes aux normes IEC 825-1, FDA 21 CFR 1040.10 et 1040.11. L'émetteur-récepteur doit être utilisé dans les conditions de fonctionnement recommandées.

---

## Restrictions générales

La classification n'est valable que si le module fonctionne dans les limites de température et de tension prescrites. Le système utilisant ce module doit intégrer une protection qui garantit la coupure de l'alimentation lorsque la limite conseillée est atteinte ou dépassée au niveau de l'alimentation +3,3 V/+5 V. La température de fonctionnement du module doit se situer dans les limites recommandées. Ces limites garantissent la sécurité laser.

---

## Restrictions d'utilisation

Les ports optiques des modules doivent être dotés d'un connecteur optique ou d'un cache-poussière.

---

## Préface

Le présent guide décrit comment installer le concentrateur géré IBM 3534 Fibre Channel pour réseau SAN (réseau dédié au stockage), ce qui correspond à la traduction du chapitre 2, "Installing the 3534 Managed Hub" du manuel IBM 3534 SAN Fibre Channel Managed Hub Managed Hub Installation and Service Guide, SY27-7616.

---

### A qui s'adresse ce guide

Ce guide est destiné :

- au technicien de maintenance IBM appelé à établir un diagnostic et à résoudre les incidents matériels susceptibles de survenir sur le concentrateur géré IBM 3534 Fibre Channel pour réseau SAN ;
- au client, pour l'aider au cours de l'installation et de la configuration du concentrateur. Ce dernier est en effet configurable par le client. Avant de suivre les procédures d'installation de ce guide, vous devez savoir comment effectuer la maintenance de votre réseau et de ses logiciels. Vous devez également savoir manipuler en toute sécurité des composants électriques.

**Important :** Dans ce guide, le terme commutateur fait référence aux commutateurs et concentrateurs, sauf indication contraire.

**Important :** Dans ce guide, le module IBM StorWatch SAN Fibre Channel Managed Hub Specialist est appelé StorWatch Specialist.

---

### Bibliographie

Vous trouverez des informations complémentaires sur le concentrateur géré IBM 3534 dans les publications suivantes :

- IBM 3534 SAN Fibre Channel Managed Hub Managed Hub Installation and Service Guide, SY27-7616
- IBM 3534 SAN Fibre Channel Managed Hub User's Guide, GC26-7391
- IBM External Devices Safety Information, SA26-7003
- Electrical Safety for IBM Customer Engineers, S229-8124

Vous pouvez également trouver des informations dans le document Fibre Channel Standards. Reportez-vous à la section «Sites Web».

---

### Sites Web

Pour plus d'informations sur les produits de stockage, vous pouvez consulter le site Web suivant :

<http://www.ibm.com/storage/fchub>

Pour plus de détails sur les normes Fibre Channel, consultez le site Web de l'Association Fibre Channel :

<http://www.fibrechannel.com>



# Installation du concentrateur géré IBM 3534

**Avertissement :** Dans ce chapitre, le terme commutateur fait référence aux commutateurs et concentrateurs, sauf indication contraire.

## Liste de contrôle préalable à l'installation

Il est important de consulter cette liste de contrôle avant de commencer l'installation du concentrateur géré IBM 3534. Certaines étapes peuvent varier selon la plateforme hôte à laquelle est connecté le concentrateur. Vous devez disposer de l'adresse IP du concentrateur géré IBM 3534 et avoir préparé les autres opérations d'installation. Le tableau 1 contient la liste de contrôle.

Tableau 1. Liste de contrôle préalable à l'installation

Etape	Action ou décision du client	Commentaires et références
1	<ul style="list-style-type: none"><li>Installation sur un bureau</li><li>Installation dans une armoire (rack)</li></ul>	Déterminez si le concentrateur géré IBM 3534 sera installé sur un bureau ou dans une armoire.
2	Installation des Service Packs requis du système d'exploitation de la plateforme hôte. Exemple : Windows NT 4.0, Service Pack et correctifs requis installés.	Pour obtenir la liste des plateformes prise en charge, et les mises à jour requises de la plateforme hôte, et se les procurer, consultez le site Web : <a href="http://www.ibm.com/storage/fchub">http://www.ibm.com/storage/fchub</a> ou prenez contact avec le support technique IBM.
3	Vérification et installation de la carte de bus hôte Fibre Channel, du BIOS correspondant et du pilote de périphérique.	Pour obtenir la liste des cartes de bus hôte, du code BIOS et du pilote de périphérique requis, vous devez consulter le site Web suivant : <a href="http://www.ibm.com/storage/fchub">http://www.ibm.com/storage/fchub</a>
4	Vérification de la compatibilité des systèmes de disques ou de bandes.  Installation ou mise à jour du pilote de périphérique.	Cette opération est en général effectuée par un technicien de maintenance au cours de l'installation du périphérique cible.  Pour obtenir la liste des systèmes pris en charge, ainsi que du BIOS et du pilote de périphérique requis, vous devez consulter le site Web suivant : <a href="http://www.ibm.com/storage/fchub">http://www.ibm.com/storage/fchub</a>
5	Vérification que tous les câbles Fibre Channel hôte ont été : <ul style="list-style-type: none"><li>commandés avec le produit ou préinstallés et vérifiés.</li><li>étiquetés (identificateur du système hôte et identificateur du concentrateur géré IBM 3534).</li></ul>	Pour déterminer les câbles requis, l'ID de l'hôte et l'ID du concentrateur géré IBM 3534, reportez-vous aux spécifications de la carte de bus hôte. Par exemple, étiquetez le port ou l'emplacement de zone prévu.

Tableau 1. Liste de contrôle préalable à l'installation (suite)

6	<p>Décisions concernant les configurations de port suivantes pour le concentrateur géré IBM 3534.</p> <p><b>Avertissement</b> : Conservez cette configuration pour référence.</p> <ul style="list-style-type: none"> <li>• Adresse IP statique _____</li> <li>• Masque de réseau (si nécessaire) _____</li> </ul> <p>Si le concentrateur géré IBM 3534 ne se trouve pas sur le même sous-réseau TCP/IP que le serveur*, affectez l'adresse de la passerelle réseau et/ou des entrées de table de routage par défaut.</p>	<p><b>Avertissement</b> : L'utilisation de paramètres Ethernet incorrects peut générer des incidents sur le réseau Ethernet.</p> <p>Adressez-vous à l'administrateur réseau pour obtenir les paramètres Ethernet du concentrateur géré IBM 3534.</p>
7	<p>Définition du nom du concentrateur géré à l'aide de la commande Telnet <b>switchName</b>.</p>	<p>Le nom du concentrateur géré doit être converti en l'adresse IP du système hôte utilisée par StorWatch Specialist. Ceci est vrai même lorsque vous utilisez l'adresse IP avec votre navigateur Web pour vous connecter au concentrateur géré. L'administrateur réseau doit ajouter l'adresse IP du concentrateur sur le serveur de noms de domaine (DNS) ou au service NIS. Vous pouvez également utiliser une conversion en nom local à l'aide d'un fichier hosts. Si vous ne le faites pas, les performances seront altérées lors de l'utilisation d'un navigateur Web pour gérer le concentrateur.</p>
8	<p>Installation du câble Ethernet entre le serveur* et le concentrateur réseau.</p>	
9	<p>Installation du câble Ethernet entre le concentrateur réseau et l'emplacement du concentrateur géré IBM 3534.</p>	Aucun
<p>*Le terme serveur utilisé ici fait référence à l'ordinateur sur lequel sera installé StorWatch Specialist.</p>		

## Instructions d'installation

Le concentrateur géré IBM 3534 peut être installé dans une armoire ou sur un bureau. Avant d'installer le concentrateur et son cordon d'alimentation, montez les pieds en caoutchouc pour la configuration bureau ou installez le concentrateur dans une armoire.

**Remarque** : S'il manque des pièces, consultez le site Web suivant pour obtenir le numéro de téléphone à utiliser pour commander les pièces de rechange :

<http://www.ibm.com/storage/fchub>

## Installation sur un bureau

Le concentrateur géré IBM 3534 est livré dans sa configuration bureau. Les pieds en caoutchouc auto-adhésifs sont inclus. Fixez-les sur le bas du concentrateur dans les quatre emplacements prévus à cet effet. Procédez comme suit :

1. Retournez le concentrateur (haut en bas) et posez-le.
2. Nettoyez les quatre emplacements pour retirer toute poussière.
3. Retirez les pieds en caoutchouc de la feuille sur laquelle ils sont collés et placez un pied dans chaque emplacement.
4. Appuyez fermement pour que les quatre pieds soient bien en place.
5. Remettez le concentrateur géré IBM 3534 dans sa position normale et placez-le à l'endroit prévu pour son utilisation.

## Installation dans une armoire

Prenez connaissance des consignes suivantes avant de procéder à l'installation dans une armoire :

**Avertissement :** N'installez pas le concentrateur dans une armoire dont la température ambiante interne risque de dépasser 40 °C ou lorsque la circulation de l'air n'est pas garantie. L'air circule de l'arrière vers l'avant de l'unité. Ne bloquez pas l'avant ou l'arrière de l'armoire.

**Avertissement :** Lors du montage dans une armoire, assurez-vous que les câbles à fibre optique connectés à l'unité ne sont pas coincés par les portes ou par un équipement matériel une fois installés.

**Remarque :** Pour les armoires à portes isoplanes, telles que les armoires 9306 Netfinity, vous avez le choix entre les options suivantes :

- Vous pouvez utiliser cette unité pour remplacer le concentrateur Fibre Channel 3523 Netfinity en installant les pieds en caoutchouc (voir la section «Installation sur un bureau») et en plaçant le concentrateur géré IBM 3534 sur le plateau de l'armoire qui contenait le module 3523.
- Vous pouvez utiliser les glissières et fixer le concentrateur géré IBM 3534 sur les orifices prévus, qui sont décalés d'environ 8 centimètres vers l'intérieur de l'armoire, et qui évitent d'avoir à installer les oreillettes.

### DANGER

**Un mauvais câblage du socle de la prise de courant peut provoquer une mise sous tension dangereuse des parties métalliques du système ou des unités qui lui sont raccordées. Il appartient au client de s'assurer que le socle de prise de courant est correctement câblé et mis à la terre afin d'éviter tout risque de choc électrique. (72XXD201)**

Cette unité requiert 2 ampères avec une tension en entrée de 110 - 127 V ca ou 1 ampère avec une tension en entrée de 200 - 240 V ca. Assurez-vous, qu'au moment de la connexion de l'équipement au circuit d'alimentation, une surcharge des circuits ne compromette pas le câblage de l'alimentation, ni la protection contre les surintensités.

**Important** : Outils nécessaires à l'installation dans une armoire :

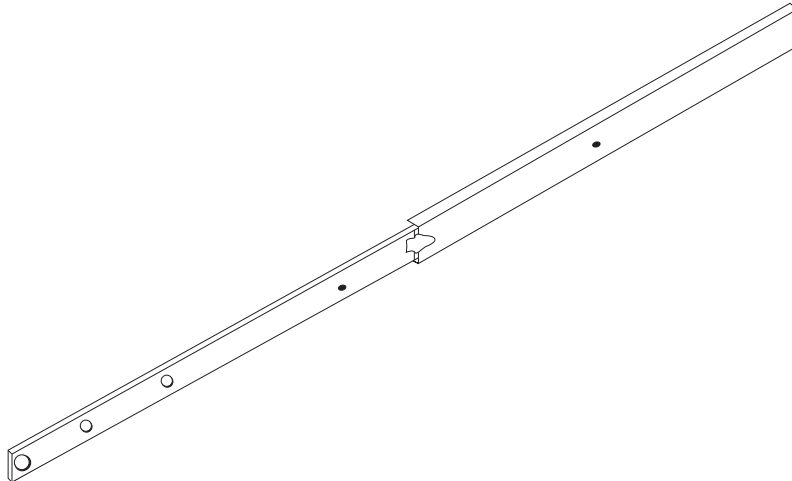
- Tournevis standard pour écrous à fente
- Clé à douilles (11/32 ou clé à vis)

**Important** : Avant de procéder à l'installation dans l'armoire, effectuez les opérations suivantes :

- Lisez les étapes 1 à la page 4 à 4 à la page 7.
- Localisez les glissières dans l'armoire et les supports de montage dans l'emballage d'expédition.

Le concentrateur géré IBM 3534 est conçu pour être installé dans une armoire conforme à la norme EIA de 19 pouces. Pour installer le concentrateur dans une armoire, procédez comme suit :

1. Montez les glissières et les oreillettes de blocage sur le concentrateur.
  - a. Localisez les deux glissières et démontez-les. Tirez les glissières au maximum, comme indiqué à la figure 1, appuyez sur le loquet et démontez les glissières.



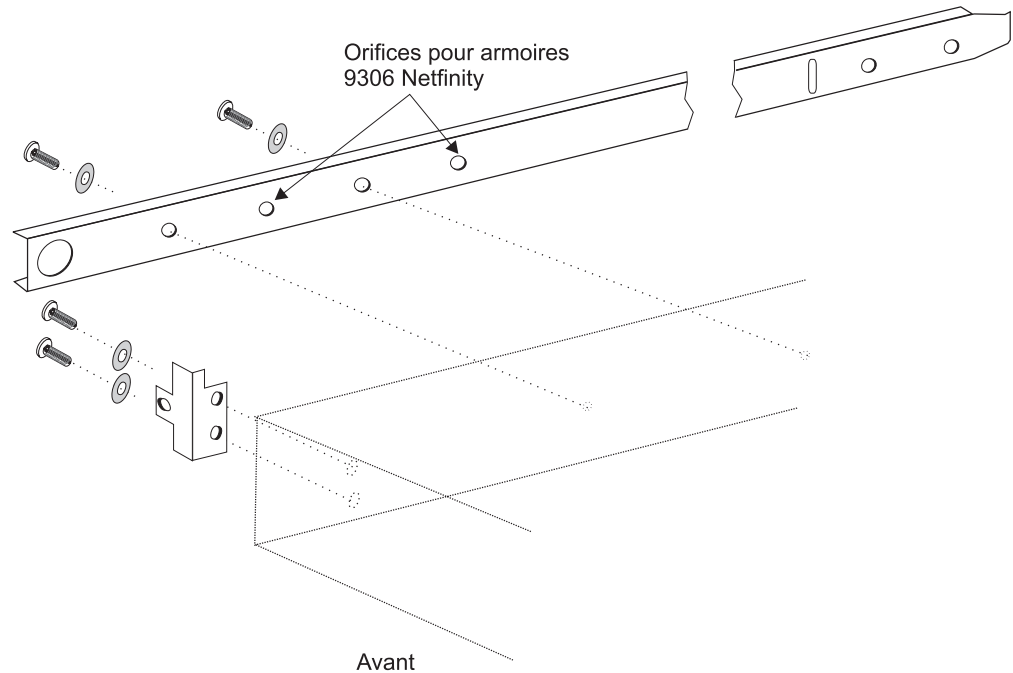
SL08933N

Figure 1. Glissière

**Avertissement** : Pour les armoires à portes isoplanes, telles que les armoires 9306 Netfinity , vous pouvez utiliser les glissières et fixer le concentrateur géré 3534 dans les orifices prévus, qui sont décalés de 8 centimètres vers l'intérieur de l'armoire, et qui évitent d'avoir à installer les oreillettes.

- b. Fixez la partie coulissante de la glissière et les oreillettes sur le concentrateur comme indiqué à la figure 2 à la page 5. Servez-vous des vis fournies dans le sachet contenant les oreillettes de blocage. Montez d'abord la partie coulissante de la glissière, puis les oreillettes.





SL08914N

Figure 2. Montage de la partie coulissante de la glissière et des oreillettes de blocage sur le concentrateur géré IBM 3534

2. Montez la partie fixe de la glissière sur l'armoire.

- a. Ouvrez le kit contenant les supports de montage de l'armoire et fixez ces derniers sur la partie large et fixe des glissières (qui sont au nombre de quatre). Un support de montage est prévu pour chaque extrémité de la partie fixe des glissières. Insérez les vis de montage du support arrière à la main. Vous les serrerez complètement après avoir installé le concentrateur géré IBM 3534. Vous devez fixer les supports à l'avant les en laissant dépasser d'environ 15 mm par rapport à l'extrémité de la partie fixe de la glissière afin de permettre l'insertion des oreillettes de blocage.

**Important :** Veillez à monter les supports de façon à ce que le concentrateur soit installé à plat dans l'armoire. Il peut s'avérer nécessaire de régler l'alignement en desserrant les quatre vis des supports de fixation, en vérifiant l'alignement, puis en resserrant les vis selon les besoins.

- b. Servez-vous des attaches (clips de montage) et des vis longues fournies pour monter la partie fixe des glissières sur les barres verticales dans l'armoire. Reportez-vous à la figure 3 à la page 6. Installez trois attaches à l'avant et trois attaches à l'arrière de l'armoire. L'attache avant du milieu est destinées aux oreillettes de blocage.

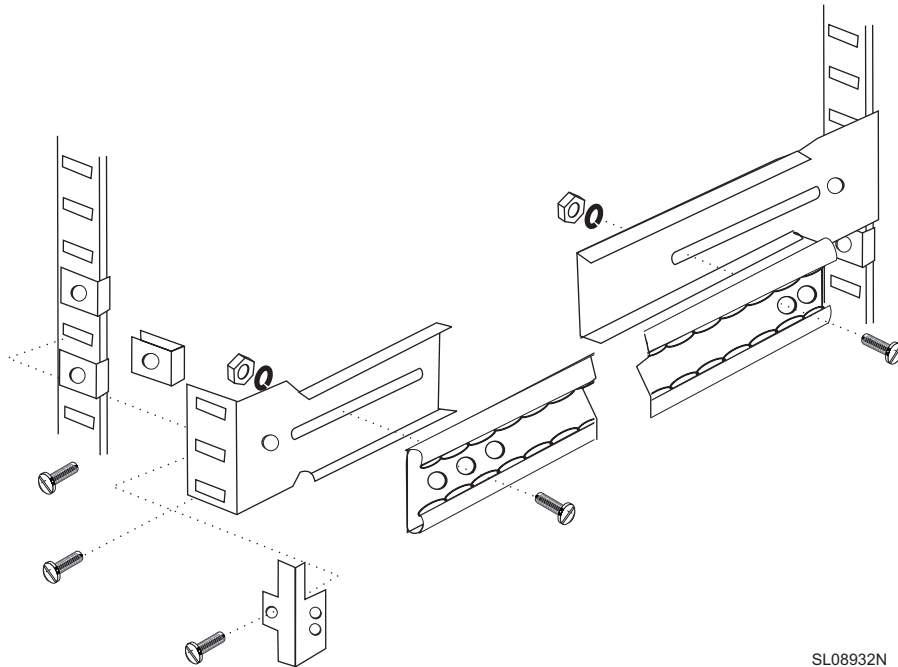


Figure 3. Montage de la partie fixe de la glissière et fixation des oreillettes

3. Insérez le concentrateur géré IBM 3534 et la partie coulissante des glissières dans la partie fixe de la glissière installée dans l'armoire.
  - a. Soulevez le concentrateur et alignez la partie du rail fixée au concentrateur sur les rails montés dans l'armoire comme indiqué à la figure 4. Poussez le concentrateur à fond dans l'armoire.

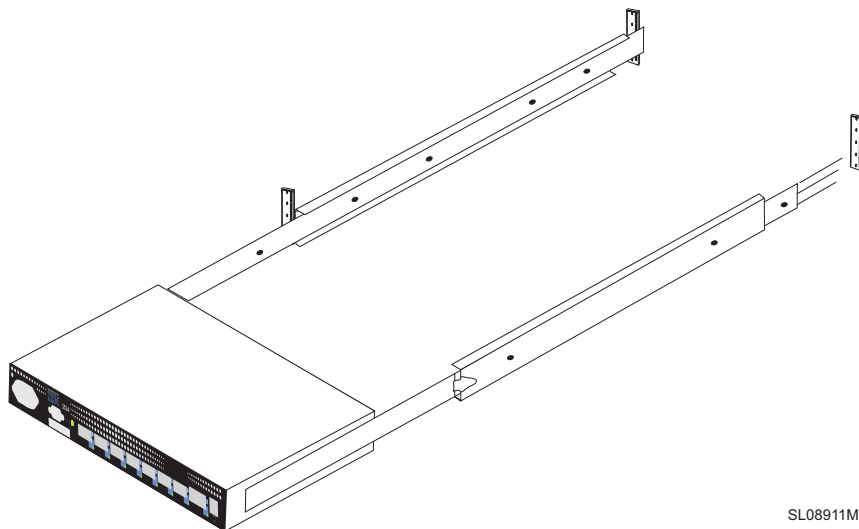


Figure 4. Insertion des glissières dans les rails de l'armoire

- b. Faites glisser plusieurs fois le concentrateur IBM 3534 d'avant en arrière sur les rails pour vous assurer qu'il se déplace avec facilité. Sortez partiellement le concentrateur pour serrer les vis sur les supports arrière que vous aviez serrées à la main à l'étape 2a à la page 5.

4. Rentez le concentrateur entièrement dans l'armoire. A l'aide des vis restantes fournies avec les oreillettes de blocage, verrouillez le concentrateur géré dans l'armoire. Voir la figure 3 à la page 6.

L'installation dans l'armoire est à présent terminée.

---

## Installation du port GBIC

Le concentrateur géré IBM 3534 est livré avec sept ports fixes pour fibre optique et un port GBIC enfichable comme indiqué à la figure 5.

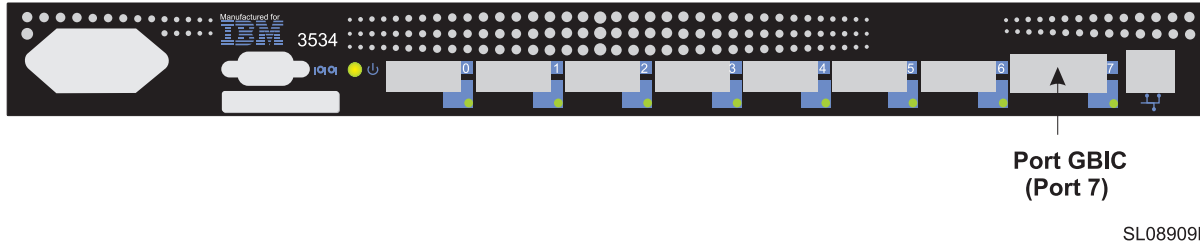


Figure 5. Emplacement du port GBIC

La figure 6 représente la face avant du port GBIC sans cache-poussière en caoutchouc. Il convient de laisser le cache du port GBIC en place jusqu'à ce qu'un câble Fibre Channel soit inséré. L'autre extrémité du port GBIC est destinée à être insérée dans le concentrateur géré IBM 3534.



Figure 6. Face avant du port GBIC

---

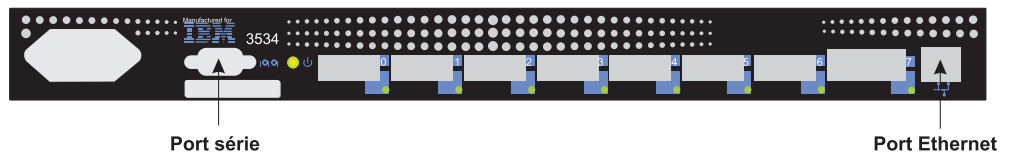
## Définition de l'adresse IP

L'adresse IP peut être définie via le port série ou le port Ethernet. Lorsque c'est possible, il est préférable de configurer l'adresse IP via le port série.

Le concentrateur géré IBM 3534 sort de l'usine avec l'adresse IP par défaut (10.77.77.77) prédéfinie. Cette adresse figure sur l'étiquette placée à l'avant sur le dessus du concentrateur. Elle est destinée à la connexion Ethernet externe.

Si vous le pouvez, utilisez l'adresse par défaut pour vous connecter à votre réseau local et établir une connexion réseau vers le concentrateur géré IBM 3534. Les emplacements des ports Ethernet et série sont illustrés à la figure 7. Vous pouvez modifier cette adresse IP ultérieurement à l'aide d'une commande Telnet, ou de StorWatch Specialist que vous exécutez à partir d'un serveur ayant accès au même réseau local. Ceci constitue la méthode la plus simple pour définir l'adresse IP. Consultez l'administrateur système pour déterminer si vous pouvez utiliser l'adresse par défaut.

Si cela n'est pas possible, il faudra configurer l'adresse IP via le port Ethernet ou série. Pour cela, utilisez les informations fournies par l'administrateur système dans la liste de contrôle préalable à l'installation.



SL08910L

Figure 7. Concentrateur géré IBM 3534

## Définition du nom du concentrateur géré

La figure 8 illustre la commande **switchName**, qui permet de définir le nom du concentrateur géré 3534. Ce nouveau nom doit figurer entre guillemets comme indiqué. Syntaxe de la commande :

```
switchName "nouveau_nom_du_concentrateur"
```

```
switch:admin> switchName "conc3"  
Updating flash...
```

Figure 8. Exemple de commande **switchName**

Cette étape est importante si vous avez l'intention d'utiliser StorWatch Specialist pour vous connecter au concentrateur géré via un navigateur Web. Ce nom doit être converti en l'adresse IP affectée par l'administrateur réseau au système client que vous utilisez pour vous connecter au concentrateur géré via StorWatch Specialist. Si vous ne le faites pas, les performances seront altérées lors de l'utilisation d'un navigateur Web pour gérer le concentrateur.

**Remarque :** Seuls les utilisateurs disposant de droits de niveau administrateur peuvent exécuter cette commande.

Le nom du concentrateur géré IBM 3534 doit respecter certaines restrictions de longueur et de format.

## Définition de l'adresse IP via le port Ethernet

Avant de tenter de définir l'adresse IP via le port Ethernet, vous devez demander à l'administrateur système de vous fournir un hôte sur le même sous-réseau que le concentrateur géré IBM 3534. Définissez la valeur 10.77.77.1 (ou une autre adresse libre, différente de celle du concentrateur) comme adresse secondaire avec le masque 255.255.255.0.

Si vous ne pouvez utiliser cette méthode, reportez-vous à la section «Définition de l'adresse IP via le port série».

1. Reliez le concentrateur au réseau local en branchant un câble Ethernet 10/100BaseT sur le connecteur RJ-45 situé sur le panneau avant du concentrateur géré IBM 3534.
2. Mettez le concentrateur sous tension en le branchant sur un socle de prise de courant. Assurez-vous que le cordon d'alimentation est correctement inséré à l'avant de l'unité et que le voyant Prêt vert est allumé. Attendez 2 minutes que les diagnostics soient terminés.
3. A partir d'un serveur connecté au réseau, tapez l'adresse IP Telnet. S'il s'agit de la première installation, utilisez l'adresse IP par défaut figurant sur l'étiquette placée dans l'angle gauche sur le dessus du concentrateur IBM 3534. Si le concentrateur a déjà été installé avec l'adresse IP de l'étiquette, continuez d'utiliser cette adresse. Si vous n'avez pas utilisé l'adresse de l'étiquette, vous devez vous procurer l'adresse IP en cours auprès de votre administrateur système.

Le concentrateur IBM 3534 doit réagir comme indiqué ci-dessous. A chaque invite, tapez les informations indiquées et appuyez sur Entrée.

- a. Login: admin  
Le concentrateur géré IBM 3534 est livré avec ce nom d'administrateur par défaut.
  - b. Password: password  
Il s'agit du mot de passe par défaut. Le mot de passe ne s'affiche pas lorsque vous le tapez.
  - c. Ipaddress:admin> ipAddrSet  
Cette commande permet de définir l'adresse IP.
  - d. Ethernet IP address [affiche l'adresse en cours] : nouvelle adresse IP.  
Il s'agit de la nouvelle adresse fournie par l'administrateur système.
  - e. Ethernet Subnetmask [affiche le masque de sous-réseau en cours ou None] : nouveau masque de sous-réseau ou appuyez sur Enter.  
Il s'agit du nouveau masque de sous-réseau fourni par l'administrateur système ou, si ce dernier n'est pas obligatoire, appuyez sur Entrée.
  - f. Fibre Channel IP Address [None]: appuyez sur Entrée.  
Fibre Channel Subnetmask [None]: appuyez sur Entrée.
  - g. Gateway Address [affiche l'adresse de la passerelle en cours ou None]:  
entrez la nouvelle adresse de la passerelle ou appuyez sur Entrée.  
Il s'agit de l'adresse de passerelle fournie par l'administrateur système ou, si elle n'est pas obligatoire, appuyez sur Entrée.
  - h. Ipaddress:admin> logout
4. La session Telnet est à présent terminée. Vous avez fini d'installer le concentrateur géré IBM 3534. Pour vérifier les ports Fibre Channel du concentrateur IBM 3534, reportez-vous à la section «Vérification de l'installation du concentrateur géré IBM 3534» à la page 15.

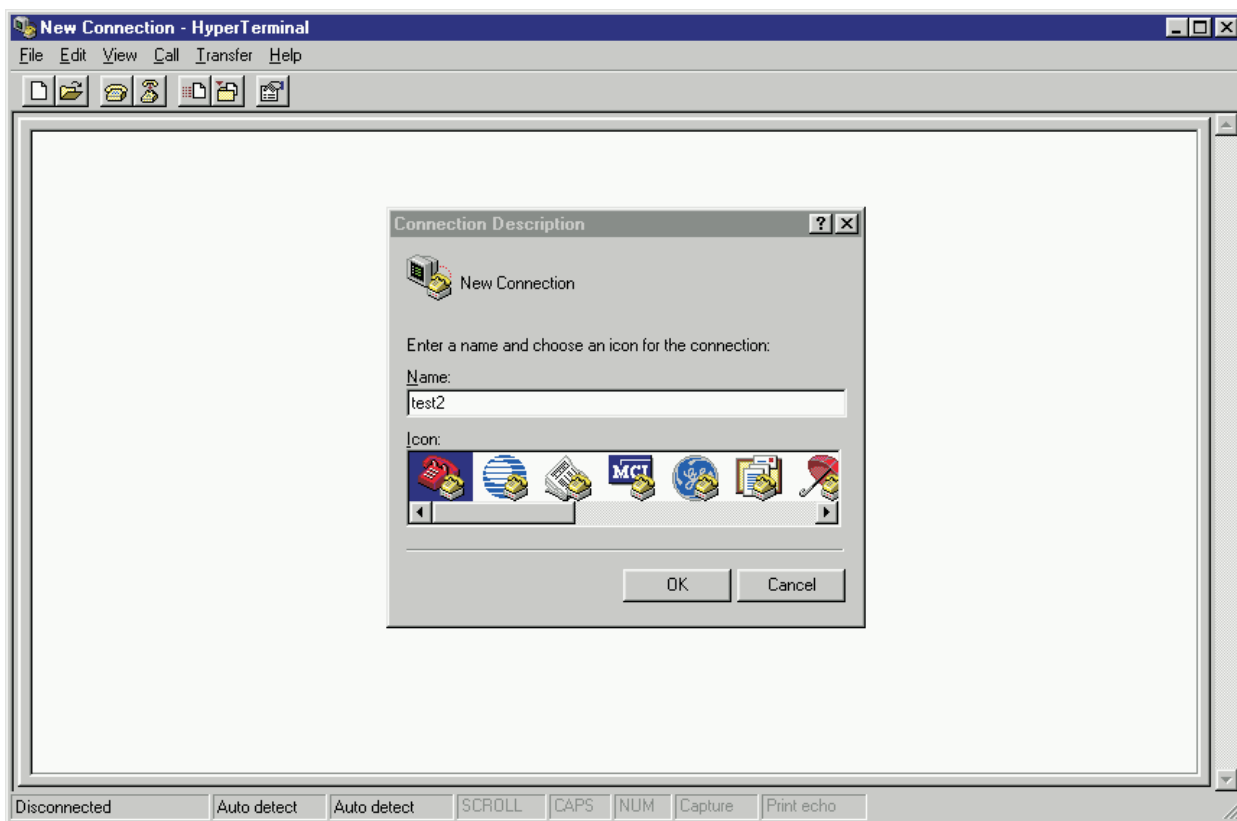
## Définition de l'adresse IP via le port série

**Important :** L'ouverture d'une session HyperTerminal varie selon la version de Windows que vous utilisez. La procédure suivante s'applique à un ordinateur portable équipé de Windows 98. Pour lancer une session HyperTerminal, sélectionnez les options Démarrer => Programmes => Accessoires.

**Important :** N'utilisez pas de câble de pseudo-modem. Veillez à utiliser le câble série livré avec le concentrateur géré IBM 3534 pour la connexion au port série de ce dernier ou un autre câble femelle-femelle disposant de connexions directes pour les lignes de signalisation.

Pour définir ou modifier l'adresse IP via le port série, procédez comme suit :

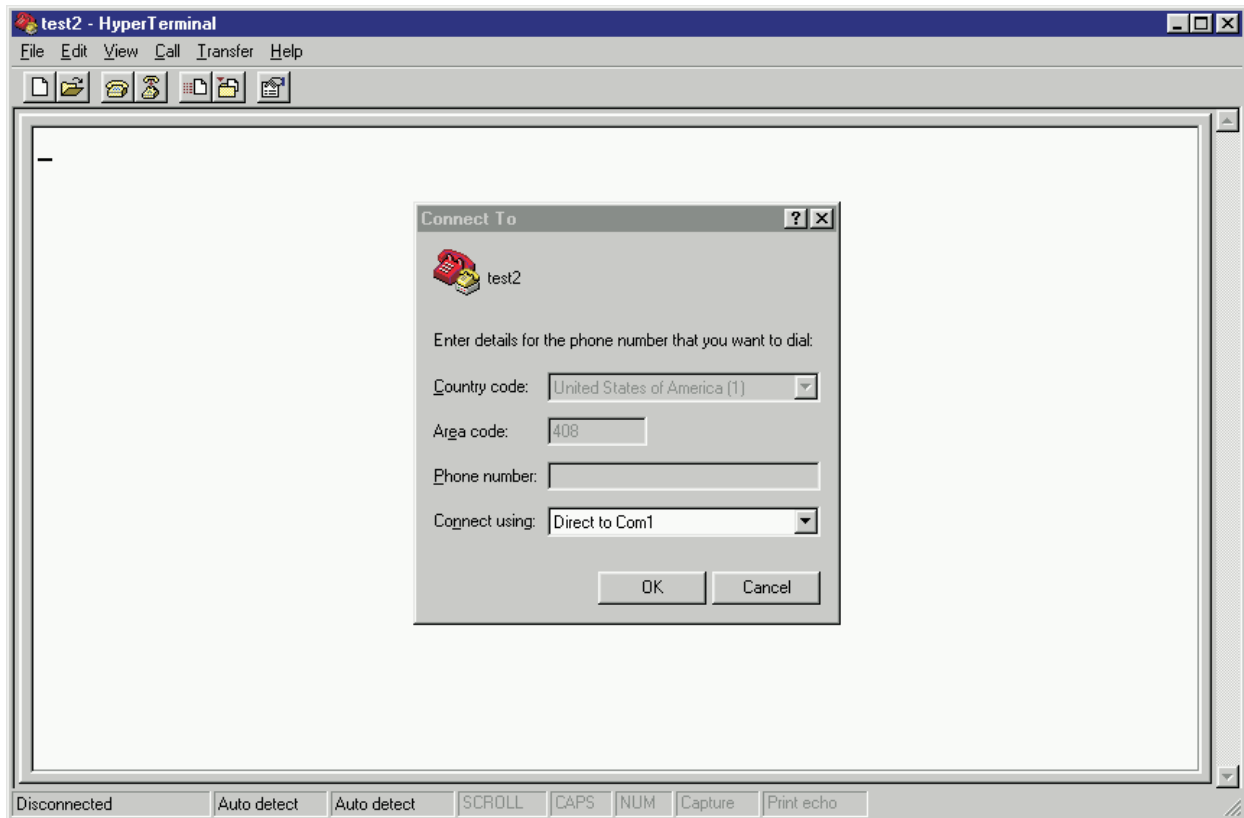
1. A l'aide du câble série livré avec le concentrateur géré 3534, connectez votre terminal (PC ou ordinateur portable) au port série avant de brancher le concentrateur sur un socle de prise de courant.
2. Ouvrez une session HyperTerminal et configurez-la comme suit :
  - a. Dans la fenêtre Connection Description représentée à la figure 9, tapez le nom que vous souhaitez attribuer à la nouvelle session, sélectionnez une icône dans la zone Icon illustrée à la figure 9 et cliquez sur OK.



SL08939P

Figure 9. Fenêtre Connection Description (non disponible en français au moment de l'impression du document)

- b. La fenêtre Connect To (figure 10) s'affiche. Dans cette fenêtre, modifiez la connexion en remplaçant la valeur par défaut par Direct to Com 1 et cliquez sur OK.



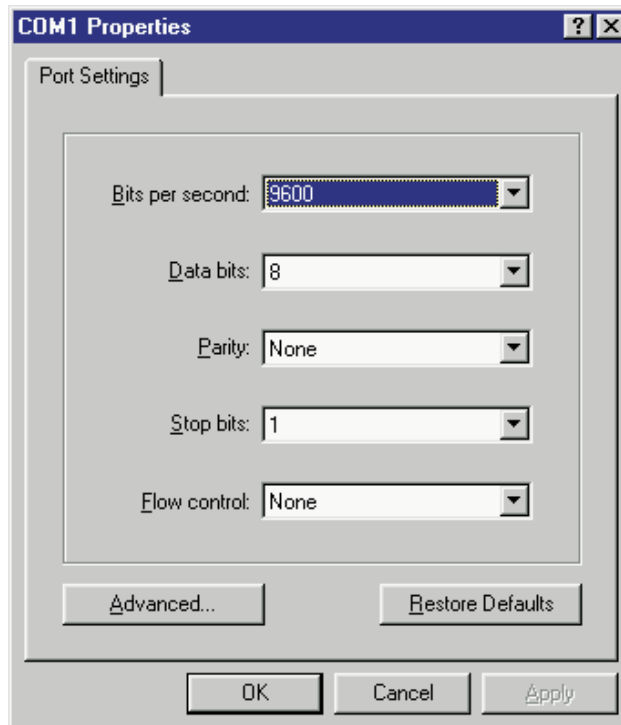
SL08940P

Figure 10. Fenêtre Connect To (non disponible en français au moment de l'impression du document)

- c. La fenêtre COM 1 Properties (figure 11) s'affiche. Définissez les paramètres suivants dans la page Port Settings :

Bits per second: 9600  
Data bits: 8  
Parity: None  
Stop bits: 1  
Flow control: None

Cliquez sur OK.

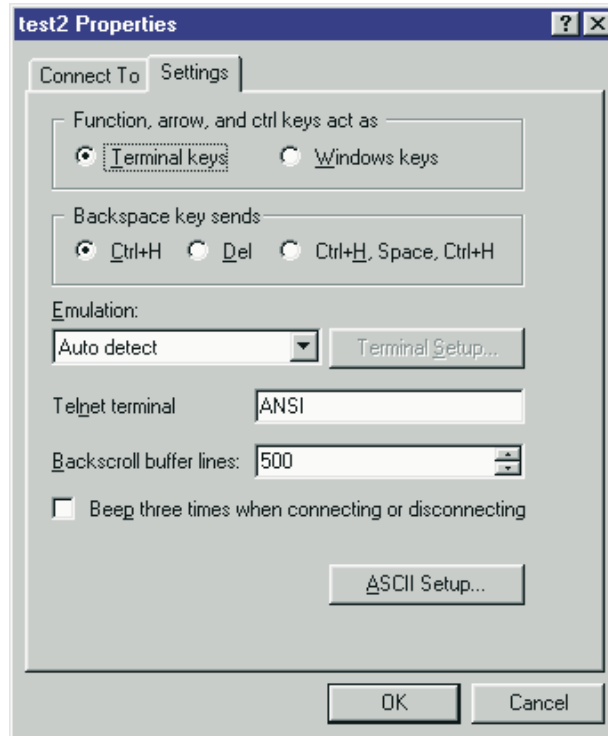


SL08936N

Figure 11. Fenêtre COM1 Properties - Port Settings (non disponible en français au moment de l'impression du document)



- d. Cliquez sur File => Properties. La fenêtre Properties s'affiche. Sélectionnez l'onglet Settings, entrez la valeur Auto detect dans la zone Emulation (figure 12) et cliquez sur OK.

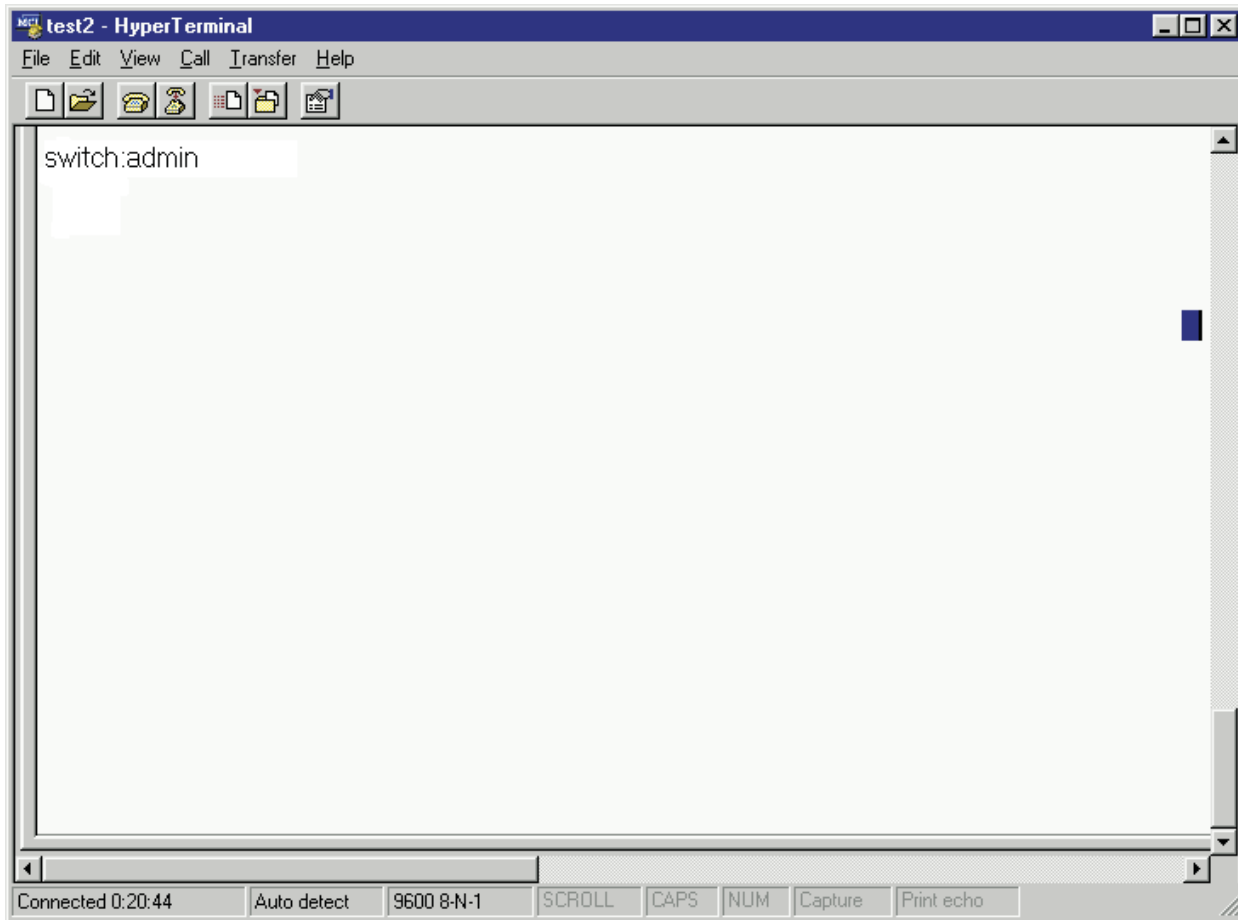


SL08937N

Figure 12. Fenêtre Settings - Emulation (non disponible en français au moment de l'impression du document)

3. Démarrez le concentrateur géré IBM 3534 en branchant le cordon d'alimentation sur un socle de prise de courant. Attendez environ 2 minutes que les diagnostics soient terminés. Assurez-vous que le cordon d'alimentation est correctement connecté à l'avant de l'unité et que le voyant Prêt vert est allumé.

4. Appuyez sur Entrée sur votre terminal (PC ou ordinateur portable).  
Le concentrateur doit afficher :  
Admin>  
La session HyperTerminal est à présent active (comme illustré à la figure 13).



SL08934P

Figure 13. Session HyperTerminal (non disponible en français au moment de l'impression du document)

A chaque invite, tapez les informations indiquées et appuyez sur Entrée après chaque réponse.

- a. Admin> ipAddrSet  
Cette commande permet de définir l'adresse IP.
- b. Ethernet IP address [affiche l'adresse IP en cours ou None]: nouvelle adresse IP  
Il s'agit de la nouvelle adresse fournie par l'administrateur système.
- c. Ethernet Subnetmask [affiche le masque de sous-réseau en cours ou None]: nouveau masque de sous-réseau ou appuyez sur Entrée.  
Il s'agit du nouveau masque de sous-réseau indiqué par l'administrateur système.
- d. Fibre Channel IP Address [None]: appuyez sur Entrée.
- e. Fibre Channel Subnetmask [None]: appuyez sur Entrée.
- f. Gateway Address [affiche l'adresse de la passerelle en cours ou None]: nouvelle adresse de passerelle ou appuyez sur Entrée.

Il s'agit de la nouvelle adresse de passerelle indiquée par le l'administrateur système.

g. Admin> Logout

5. La session du port série est à présent terminée. Vous avez fini d'installer le concentrateur géré IBM 3534. Retirez le câble du connecteur du port série. Pour vérifier les ports Fibre Channel du concentrateur IBM 3534 avant de remettre ce dernier à l'administrateur système, reportez-vous à la section «Vérification de l'installation du concentrateur géré IBM 3534».

---

## Vérification de l'installation du concentrateur géré IBM 3534

Pour vérifier que le concentrateur géré IBM 3534 est correctement installé, procédez comme suit :

1. Débranchez le concentrateur.

### **DANGER**

**Un mauvais câblage du socle de la prise de courant peut provoquer une mise sous tension dangereuse des parties métalliques du système ou des unités qui lui sont raccordées. Il appartient au client de s'assurer que le socle de prise de courant est correctement câblé et mis à la terre afin d'éviter tout risque de choc électrique. (72XXD201)**

2. Branchez le cordon d'alimentation du concentrateur sur un socle de prise de courant.
3. Vérifiez que le voyant Prêt est allumé.
4. Attendez 2 minutes que les diagnostics POST soient terminés.
5. Vérifiez que le voyant Prêt du concentrateur est allumé.
6. Branchez le connecteur de bouclage approprié (noir pour les longueurs d'onde courtes et gris pour les longueurs d'onde longues) sur chaque port, l'un après l'autre. Vérifiez que le voyant (vert) de chaque port clignote lentement.  
Les ports 0 à 6 sont destinés aux ondes courtes. Si un port GBIC est installé, le port 7 peut être soit pour les ondes courtes, soit pour les longues.
7. Si l'un des tests ci-dessus échoue, reportez-vous à la section "Problem determination" du manuel IBM 3534 SAN Fibre Channel Managed Hub Managed Hub Installation and Service Guide, SY27-7616. Sinon, remettez le concentrateur géré IBM 3534 à l'administrateur système en vue de son exploitation.

---

## Téléchargement du microcode

Le concentrateur géré IBM 3534 est livré avec le dernier niveau de microcode (firmware) disponible. Cependant, vous pouvez facilement télécharger un nouveau code sur le concentrateur. Cette opération requiert la sauvegarde de données et de l'exécutable sur votre serveur.

Le code le plus récent peut être obtenu sur le site Web du concentrateur géré IBM 3534 Fibre Channel pour réseau SAN (réseau dédié au stockage) :

<http://www.ibm.com/storage/fchub>

Ce site fournit les instructions de téléchargement du microcode et son chargement sur le concentrateur IBM 3534. Le chargement du nouveau code peut se faire sans interrompre l'activité du concentrateur. Toutefois, pour activer le nouveau code, il faut redémarrer le concentrateur.

## Procédure de mise à niveau du microcode

Vous pouvez télécharger le microcode sur le concentrateur IBM 3534 à partir d'un hôte UNIX ou Windows. Dans le cas de l'hôte UNIX, aucun logiciel spécial n'est requis. Pour Windows, il vous faut le démon de prise en charge d'un shell éloigné (RSH) avec le microcode. Ce démon est disponible sur le site Web du concentrateur géré IBM 3534 Fibre Channel pour réseau SAN. Le téléchargement du microcode s'effectue à l'aide de la commande RPC s'exécutant en plus de TCP entre le concentrateur et l'hôte.

### Téléchargement de microcode à partir d'un hôte UNIX

1. Téléchargez le microcode du site Web du concentrateur géré IBM 3534 Fibre Channel pour réseau SAN. Notez le répertoire dans lequel vous sauvegardez le code.

Le code peut être chargé sur le concentrateur uniquement via le port de réseau local Ethernet.

2. Ouvrez une session Telnet vers le concentrateur IBM 3534 à partir d'un serveur connecté au réseau local et ayant accès au concentrateur.

Syntaxe de la commande :

```
telnet [adresse IP du concentrateur géré]
```

3. Connectez-vous en tant qu'"admin".

```
login: admin
```

4. Password: password

Répondez à l'invite en entrant le mot de passe en cours associé à l'ID admin. Le mot de passe par défaut du concentrateur IBM 3534 à la livraison est password.

5. Tapez la commande suivante :

```
firmwareDownload ["nom hôte/adresse IP"], ["nom utilisateur"], ["nomfichier"]
```

```
Par exemple : firmwareDownload "192.111.2.1", "timm", "/tmp/os/v2.1.3"
```

**Remarque :** nom hôte correspond au nom de l'hôte ou à son adresse IP ; nom utilisateur à un nom d'utilisateur existant et nomfichier au nouveau fichier de microcode (avec son chemin d'accès).

Le serveur RSH valide l'utilisateur et charge le fichier sur le concentrateur IBM 3534, où il est stocké en mémoire flash.

### DANGER

**Un mauvais câblage du socle de la prise de courant peut provoquer une mise sous tension dangereuse des parties métalliques du système ou des unités qui lui sont raccordées. Il appartient au client de s'assurer que le socle de prise de courant est correctement câblé et mis à la terre afin d'éviter tout risque de choc électrique. (72XXD201)**

6. Débranchez le cordon d'alimentation du concentrateur IBM 3534, puis rebranchez-le pour initialiser le nouveau microcode.

### Téléchargement de microcode à partir d'un hôte Windows

1. Téléchargez le microcode du site Web du concentrateur géré IBM 3534 Fibre Channel pour réseau dédié au stockage. Notez le répertoire dans lequel vous sauvegardez le code.
2. Téléchargez deux utilitaires (rshd.exe et cat.exe) du site Web dans le même répertoire que le microcode.

3. Dans une fenêtre DOS, tapez rshd pour exécuter le démon RSH..  
Il n'est pas nécessaire d'exécuter le fichier cat.exe car son exécution est automatique.
4. Passez à la section «Téléchargement de microcode à partir d'un hôte UNIX» à la page 16. Suivez les étapes 2 à la page 16 à 6 à la page 16.

**Remarque :** Lors du téléchargement sur un concentrateur géré IBM 3534 à l'aide de la commande **firmwareDownload**, vous devez utiliser une notation UNIX pour les répertoires (barre oblique - /) et non PC (barre oblique inversée - \) pour indiquer le chemin d'accès dans la commande. Par exemple : à partir de Windows NT, la commande **firmwareDownload** se présente comme suit :

```
firmwareDownload "192.111.2.1", "timm", "/tmp/os/v2.1.3".
```



---

## Remarques

Le présent document peut contenir des informations ou des références concernant certains produits, logiciels ou services IBM non annoncés dans ce pays. Cela ne signifie pas qu'IBM ait l'intention de les y annoncer. Pour plus de détails, référez-vous aux documents d'annonce disponibles dans votre pays, ou adressez-vous à votre partenaire commercial IBM.

Toute référence à un produit, logiciel ou service IBM n'implique pas que seul ce produit, logiciel ou service puisse être utilisé. Tout autre élément fonctionnellement équivalent peut être utilisé, s'il n'enfreint aucun droit d'IBM.

Il est de la responsabilité de l'utilisateur d'évaluer et de vérifier lui-même les installations et applications réalisées avec des produits, logiciels ou services non expressément référencés par IBM.

Le présent document peut contenir des exemples de données et de rapports utilisés couramment dans l'environnement professionnel. Ces exemples mentionnent des noms fictifs de personnes, de sociétés, de marques ou de produits à des fins illustratives ou explicatives uniquement. Toute ressemblance avec des noms de personnes, de sociétés ou des données réelles serait purement fortuite.

Le présent document peut également contenir des programmes réduits fournis par IBM à titre de simple exemple et d'illustration. Ces programmes n'ont pas été rigoureusement testés dans toutes les conditions. Par conséquent, IBM ne peut garantir expressément ou implicitement la fiabilité, la maintenabilité ou le fonctionnement de ces programmes. LES GARANTIES IMPLICITES DE QUALITE MARCHANDE OU D'ADAPTATION A VOS BESOINS SONT EXPRESSEMENT EXCLUES.

IBM peut détenir des brevets ou des demandes de brevet couvrant les produits mentionnés dans le présent document.

La remise de ce document ne vous donne aucun droit de licence sur ces brevets ou demandes de brevets. Si vous désirez recevoir des informations concernant l'acquisition de licences, veuillez en faire la demande par écrit à l'adresse suivante :

IBM EMEA Director of Licensing  
IBM Europe Middle-East Africa  
Tour Descartes  
La Défense 5  
2, avenue Gambetta  
92066 - Paris-La Défense CEDEX  
France

---

## Marques

Les termes qui suivent sont des marques d'International Business Machines Corporation dans certains pays :

- IBM
- IBM 3534 Managed Hub
- StorWatch
- Netfinity

Java et toutes les marques incluant Java sont des marques de Sun Microsystems, Inc. dans certains pays.

Microsoft, Windows 98 et Windows NT sont des marques de Microsoft Corporation dans certains pays.

UNIX est une marque de The Open Group dans certains pays.

D'autres sociétés sont propriétaires des autres marques, noms de produits ou logos qui pourraient apparaître dans ce document.

HyperTerminal est une marque de Hilgraeve Inc.

---

## Emissions électroniques

Cette section comporte les notices ou instructions relatives aux émissions électroniques aux Etats-Unis et dans d'autres pays.

### Recommandations de la Federal Communications Commission (FCC)

Cet appareil respecte les limites des caractéristiques d'immunité des appareils numériques définies par la classe A, conformément au chapitre 15 de la réglementation de la FCC. La conformité aux spécifications de cette classe offre une garantie acceptable contre les perturbations électromagnétiques dans les zones commerciales. Ce matériel génère, utilise et peut émettre de l'énergie radiofréquence. Il risque de parasiter les communications radio s'il n'est pas installé conformément aux instructions du constructeur. L'exploitation faite en zone résidentielle peut entraîner le brouillage des réceptions radio et télé, ce qui obligerait le propriétaire à prendre les dispositions nécessaires pour en éliminer les causes.

Utilisez des câbles et connecteurs correctement blindés et mis à la terre afin de respecter les limites de rayonnement définies par la réglementation de la FCC. IBM ne peut pas être tenue pour responsable du brouillage des réceptions radio ou télévision résultant de l'utilisation de câbles ou connecteurs inadaptés ou de modifications non autorisées apportées à cet appareil. Toute modification non autorisée pourra annuler le droit d'utilisation de cet appareil.

Cet appareil est conforme aux restrictions définies dans le chapitre 15 de la réglementation de la FCC. Son utilisation est soumise aux deux conditions suivantes : (1) il ne peut pas causer de perturbations électromagnétiques gênantes et (2) il doit accepter toutes les perturbations reçues, y compris celles susceptibles d'occasionner un fonctionnement indésirable.



## Avis de conformité à la réglementation d'Industrie Canada

Cet appareil numérique de la classe A est conforme à la norme NMB-003 du Canada.

## Avis de conformité à la réglementation de l'Union Européenne

Le présent produit satisfait aux exigences de protection énoncées dans la directive 89/336/CEE du Conseil concernant le rapprochement des législations des Etats membres relatives à la compatibilité électromagnétique. IBM décline toute responsabilité en cas de non-respect de cette directive résultant d'une modification non recommandée du produit, y compris l'ajout de cartes en option non IBM.

Ce produit respecte les limites des caractéristiques d'immunité des appareils de traitement de l'information définies par la classe A de la norme européenne EN 55022. La conformité aux spécifications de la classe A offre une garantie acceptable contre les perturbations avec les appareils de communication agréés, dans les zones commerciales et industrielles.

Attention : Ce matériel appartient à la classe A. Il est susceptible d'émettre des ondes radioélectriques risquant de perturber les réceptions radio. Son emploi dans une zone résidentielle peut créer des interférences. L'utilisateur devra alors prendre les mesures nécessaires pour les supprimer.

Lorsque des câbles spéciaux ou blindés (par exemple, câbles comportant du ferrite) sont utilisés au cours du test pour rendre le produit conforme aux limites :

Utilisez des câbles et connecteurs correctement blindés et mis à la terre afin de réduire les risques de brouillage des réceptions radio et télé et d'autres appareils électriques ou électroniques. Ces câbles et connecteurs sont disponibles chez votre distributeur agréé IBM. IBM ne peut pas être tenue responsable du brouillage résultant de l'utilisation de câbles et de connecteurs inadaptés.

## Germany only

Zulassungsbescheinigung laut Gesetz ueber die elektromagnetische Vertraeglichkeit von Geraeten (EMVG) vom 30. August 1995.

Dieses Geraet ist berechtigt, in Uebereinstimmung mit dem deutschen EMVG das EG-Konformitaetszeichen - CE - zu fuehren.

Der Aussteller der Konformitaetserklaeung ist die IBM Deutschland.

Informationen in Hinsicht EMVG Paragraph 3 Abs. (2) 2:

Das Geraet erfuellt die Schutzanforderungen nach EN 50082-1 und EN 55022 Klasse A.

EN 55022 Klasse A Geraete beduerfen folgender Hinweise:

Nach dem EMVG:

"Geraete duerfen an Orten, fuer die sie nicht ausreichend entstoert sind, nur mit besonderer Genehmigung des Bundesministeriums fuer Post und Telekommunikation oder des Bundesamtes fuer Post und Telekommunikation betrieben werden. Die Genehmigung wird erteilt, wenn keine elektromagnetischen Stoerungen zu erwarten sind." (Auszug aus dem EMVG, Paragraph 3, Abs.4)

Dieses Genehmigungsverfahren ist nach Paragraph 9 EMVG in Verbindung mit der entsprechenden Kostenverordnung (Amtsblatt 14/93) kostenpflichtig.

Nach der EN 55022:

“Dies ist eine Einrichtung der Klasse A. Diese Einrichtung kann im Wohnbereich Funkstörungen verursachen. In diesem Fall kann vom Betreiber verlangt werden, angemessene Massnahmen durchzuführen und dafür aufzukommen.”

Anmerkung:

Um die Einhaltung des EMVG sicherzustellen, sind die Geräte wie in den Handbüchern angegeben zu installieren und zu betreiben.

## Japanese Voluntary Control Council for Interference (VCCI) class 1 statement

この装置は、情報処理装置等電波障害自主規制協議会（VCCI）の基準に基づくクラス A 情報技術装置です。この装置を家庭環境で使用すると電波妨害を引き起こすことがあります。この場合には使用者が適切な対策を講ずるよう要求されることがあります。

## Taiwan class A compliance statement

警告使用者:

這是甲類的資訊產品，在居住的環境中使用時，可能會造成射頻干擾，在這種情況下，使用者會被要求採取某些適當的對策。

---

## Licence IBM pour le code machine

Quelle que soit la forme sous laquelle vous avez acquis (électronique, préchargés, sur support ou autre) le BIOS, les utilitaires, les programmes de diagnostics, les pilotes de périphériques ou le microcode (appelés collectivement “Code machine”), l’utilisation d’une machine ou d’un code machine équivaut à accepter les termes du présent contrat. Le terme “Machine” signifie une machine IBM, ses fonctions, conversions, mises à niveau, éléments ou accessoires, ou toute combinaison de ces éléments. L’acceptation des termes de ce contrat vous autorise à utiliser le Code machine avec le produit spécifique pour lequel il est fourni.

Le Code machine est la propriété d’International Business Machines Corporation ou de l’une de ses filiales (“IBM”) ou d’un fournisseur d’IBM.

IBM vous concède une licence non exclusive d'utilisation du Code machine uniquement conjointement avec une Machine. En tant que détenteur légitime d'une Machine, vous êtes autorisé à effectuer un nombre raisonnable de copies du Code machine pour des opérations de sauvegarde, de configuration et de restauration de la Machine. Vous devez reproduire la notice de copyright et toute autre mention de propriété sur chaque copie du Code machine.

Vous pouvez céder la propriété du Code machine et de ses supports à un tiers uniquement avec la Machine sur laquelle le Code machine est utilisé. Dans ce cas, vous devez fournir au tiers une copie des termes du présent contrat et toute la documentation. Vous devez également détruire toutes vos copies du Code machine.

Votre licence d'utilisation du Code machine prend fin lorsque vous n'êtes plus le détenteur légitime de la Machine.

Cette licence ne vous accorde aucun autre droit.

Vous n'êtes pas autorisé, par exemple, à :

1. copier, afficher, céder, adapter, modifier ou distribuer, sous toute forme que ce soit, le Code machine, excepté sous une forme autorisée par IBM dans la documentation relative à une Machine ;
2. désassembler, décompiler ni traduire le Code machine, sauf si la loi vous y autorise expressément nonobstant toute interdiction contractuelle ;
3. accorder des sous-licences ou céder la licence du Code machine ; ou
4. donner le Code machine ou une copie en location sous quelque forme que ce soit.

Les termes de la garantie IBM de la Machine, incluse dans ce contrat pour référence, s'appliquent au Code machine. Pour toute question ou réclamation relatives aux performances du Code machine, reportez-vous à cette garantie.

## Déclarations de garantie

Les déclarations de garantie sont composées de deux parties distinctes : Section 1 et Section 2. La Section 1 varie selon le pays. La Section 2 est commune à toutes les déclarations. Veuillez à lire la Section 1 se rapportant à votre pays, ainsi que la Section 2.

- **Tous les pays, à l'exception du Canada, des Etats-Unis, de Porto Rico et de la Turquie (Z125-5697-01 11/97)**
- **Canada, Etats-Unis et Porto Rico (Z125-4753-05 11/97)**
- **Conditions spécifiques aux différents pays**

## Déclaration de garantie pour tous les pays, à l'exception du Canada, des Etats-Unis, de Porto Rico et de la Turquie (Section 1 - Dispositions générales)

Le présent contrat comporte deux sections, Dispositions générales et Dispositions nationales particulières. **Les dispositions de la seconde partie peuvent remplacer ou modifier celles de la première.** La garantie fournie par IBM au titre de la présente Déclaration de garantie s'applique uniquement aux machines achetées auprès d'IBM ou d'un revendeur agréé en vue d'une utilisation personnelle et non à des fins de revente. Le terme : "Machine" désigne une machine IBM, ses dispositifs, conversions, mises à niveau, éléments, accessoires, ou combinaisons de ces éléments. Sauf indication contraire de la part d'IBM, les

garanties qui suivent ne s'appliquent que dans le pays d'achat de la machine. Aucune des présentes dispositions ne peut restreindre les droits reconnus aux consommateurs par la législation et la réglementation, qui ne peuvent être supprimés ou limités par contrat. Pour tout renseignement, contactez IBM ou votre revendeur.

**Machine** IBM 3534 SAN Fibre Channel managed Hub

**Période de garantie\*** – Un an

\*Adressez-vous à votre revendeur pour obtenir des renseignements sur le service prévu par la garantie. Certaines Machines IBM peuvent bénéficier du service prévu par la garantie sur site en fonction du pays dans lequel le service est effectué.

Garantie IBM pour les Machines : IBM garantit que chaque Machine 1) ne présente aucun vice de matériel ou de fabrication et 2) respecte les spécifications publiées officiellement par IBM. La période de garantie est fixée par IBM et débute à la Date d'installation de la Machine. Sauf indication contraire de la part d'IBM ou de votre revendeur, la date qui figure sur votre facture est la Date d'installation de la Machine.

Au cours de la période de garantie, IBM ou votre revendeur, s'il a reçu une autorisation d'IBM, fournira et assurera le remplacement et/ ou la réparation de la Machine sans frais supplémentaires, et effectuera et installera toute modification technique applicable à ladite Machine.

Si une Machine ne fonctionne pas comme le prévoit la garantie pendant la période couverte par celle-ci et si IBM ou votre revendeur se trouvait dans l'incapacité 1) de la réparer ou 2) de la remplacer par une machine présentant au moins des fonctions équivalentes, vous pouvez retourner la Machine au lieu d'achat, et vous serez remboursé. La Machine de remplacement peut ne pas être neuve. Toutefois, elle sera en bon état de fonctionnement.

Portée de la garantie : Tout usage inapproprié, accident, environnement matériel ou utilisation inadéquats, entretien incorrect effectué par vos soins, toute modification, tout retrait, toute altération des étiquettes servant à l'identification de la Machine ou des pièces, et toute défaillance provoquée par un produit dont IBM n'est pas responsable, entraîne l'annulation des garanties.

**CES GARANTIES SONT VOS GARANTIES EXCLUSIVES ET REMPLACENT TOUTES AUTRES GARANTIES OU CONDITIONS, EXPRESSES OU IMPLICITES, Y COMPRIS NOTAMMENT LES GARANTIES OU CONDITIONS IMPLICITES DE VALEUR MARCHANDE ET D'ADAPTATION A UNE FIN PARTICULIERE. CES GARANTIES VOUS DONNENT CERTAINS DROITS ET VOUS POUVEZ BENEFICIER D'AUTRES DROITS EN VERTU DE LOIS QUI VARIENT D'UNE JURIDICTION A L'AUTRE. CERTAINES LEGISLATIONS N'AUTORISANT PAS L'EXCLUSION OU LA LIMITATION DES GARANTIES EXPRESSES OU IMPLICITES, IL EST POSSIBLE QUE L'EXCLUSION OU LA LIMITATION CI-DESSUS NE VOUS SOIT PAS APPLICABLE. DANS CE CAS, LA DUREE DES GARANTIES SERA ALORS LIMITEE A LA PERIODE DE GARANTIE. PASSEE CETTE PERIODE, AUCUNE GARANTIE NE S'APPLIQUE.**

Éléments non couverts par la garantie : IBM ne garantit pas que la Machine fonctionnera sans interruption ou sans erreur.

Sauf indication contraire, IBM fournit les Machines non IBM "**TELLES QUELLES**", **SANS AUTRE GARANTIE D'AUCUNE SORTE.**

Tout support technique ou tout support d'une autre nature fourni sur une machine sous garantie, telle que l'assistance par téléphone, y compris l'aide à l'utilisation, à la configuration et à l'installation, sera fourni **SANS GARANTIE D'AUCUNE SORTE.**

Service prévu par la garantie : Pour bénéficier du service prévu par la garantie concernant la Machine, prenez contact avec votre revendeur ou IBM. Vous devrez peut-être présenter une preuve d'achat.

IBM ou votre revendeur offre certains types de réparation ou de remplacement, suivant le cas, sur place ou dans un centre de service où la Machine sera remise en bon état de fonctionnement. IBM ou votre revendeur vous informera des types de service disponibles pour une Machine en fonction du pays où elle a été installée. IBM pourra réparer ou remplacer la Machine défectueuse à sa discrétion.

La pièce ou la Machine qui vous est fournie dans le cadre du service de remplacement prévu par la garantie devient votre propriété, et la pièce ou la Machine remplacée, celle d'IBM ou de votre revendeur, selon le cas. Toutes les pièces enlevées doivent être des pièces d'origine non modifiées. La pièce ou la Machine de remplacement peut être constituée de pièces usagées, mais en bon état, et présenter au moins des fonctions équivalentes. Les pièces de rechange sont garanties pour le reste de la période de garantie applicable aux pièces qu'elles remplacent.

Dans le cadre du service prévu par la garantie, IBM ou votre revendeur ne peut installer les dispositifs, conversions ou mises à niveau sur une Machine que si 1) pour certaines Machines, son numéro de série correspond aux Machines spécifiées, et 2) son niveau de modification technique est compatible avec le dispositif, la conversion ou la mise à niveau.

Avant qu'IBM ou votre revendeur ne remplace une Machine ou une pièce, vous vous engagez à retirer tous les dispositifs et toutes les pièces, options, modifications et adjonctions, qui ne sont pas couverts par la garantie.

Vous vous engagez également à :

1. vérifier que la Machine n'est soumise à aucune disposition ou restriction légale qui pourrait empêcher son échange ;
2. obtenir la permission du propriétaire de faire appel à IBM ou à votre revendeur pour effectuer la maintenance d'une Machine qui ne vous appartient pas ;
3. le cas échéant, avant toute opération de maintenance,
  - a. respecter les procédures d'identification et d'analyse d'incident, et de demande de service, fournies par IBM ou votre revendeur,
  - b. sauvegarder tous les programmes, fichiers de données et toutes les ressources contenus dans la Machine,
  - c. permettre à IBM ou à votre revendeur d'accéder librement à vos locaux pour exécuter les opérations de maintenance, et
  - d. informer IBM ou votre revendeur de tout changement d'emplacement de la Machine.

IBM n'assume le risque de perte ou de dommage afférant à votre Machine que dans les cas suivants : 1) lorsque la Machine est en sa possession, 2) pendant son transport, lorsque les frais d'expédition sont à la charge d'IBM.

Ni IBM, ni votre revendeur ne peut être tenu pour responsable des informations confidentielles ou personnelles contenues dans une Machine que vous avez retournée à IBM ou à votre revendeur pour quelque raison que ce soit. Vous devez supprimer les informations de ce type avant de retourner la Machine.

**Etat des composantes de la Machine** Chaque Machine IBM est fabriquée à partir de pièces neuves, ou de pièces neuves et usagées. Dans certains cas, la Machine peut ne pas être neuve et avoir été précédemment installée. Les conditions de la garantie IBM s'appliquent indépendamment de l'état de fabrication de la Machine.

**Limitation de responsabilité** Des circonstances peuvent survenir vous donnant le droit, en raison d'un manquement de la part d'IBM (notamment une inexécution caractérisée) ou d'une autre forme de responsabilité (y compris la négligence ou une fausse déclaration), de réclamer des dommages-intérêts à IBM. Dans chaque cas, quel que soit le fondement de votre réclamation, la responsabilité d'IBM sera limitée :

1. aux dommages corporels (y compris le décès) et aux dommages aux biens matériels, immobiliers et mobiliers ; et
2. pour tout autre dommage réel et direct, à la plus élevée des deux sommes suivantes : 100 000 dollars US (ou sa contre-valeur en monnaie locale) ou le prix (douze mois de redevance en cas de redevances périodiques) de la Machine faisant l'objet de la réclamation.

Cette limitation de responsabilité s'applique également aux fournisseurs d'IBM et à votre revendeur. Il s'agit de la limite maximale pour laquelle IBM, ses fournisseurs et votre revendeur seraient collectivement responsables.

**IBM NE PEUT EN AUCUN CAS ETRE TENUE RESPONSABLE : 1) DE TOUTE RECLAMATION OU ACTION DIRIGEE CONTRE VOUS PAR UN TIERS AU TITRE DE PERTES OU DE DOMMAGES ENCOURUS (AUTRES QUE CEUX MENTIONNES DANS LE PREMIER ARTICLE CI-DESSUS) ; 2) DE LA PERTE DE VOS ENREGISTREMENTS ET DONNEES, OU DES DOMMAGES QU'ILS POURRAIENT SUBIR ; OU 3) DES DOMMAGES INDIRECTS OU SPECIAUX (NOTAMMENT DES PERTES DE BENEFICES OU D'EPARGNE ET CE, MEME SI IBM OU VOTRE REVENDEUR A EU CONNAISSANCE DE LA POSSIBILITE DE TELS DOMMAGES. CERTAINES LEGISLATIONS N'AUTORISANT PAS LA LIMITATION OU L'EXCLUSION DE DOMMAGES INDIRECTS OU SPECIAUX, IL EST POSSIBLE QUE LES LIMITATIONS OU EXCLUSIONS QUI PRECEDENT NE VOUS SOIENT PAS APPLICABLES.**

## **Conditions spécifiques aux différents pays (Section 2 - Dispositions nationales particulières)**

**ASIE/PACIFIQUE :**

**AUSTRALIE :**

Garantie IBM pour les Machines : Le paragraphe suivant est ajouté à cet article :

Les garanties mentionnées dans cet article s'ajoutent aux droits qui vous sont conférés par l'accord Trade Practices Act 1974 ou une autre législation et sont uniquement limitées à l'étendue autorisée par la législation applicable.

Portée de la garantie : Le paragraphe suivant remplace les première et deuxième phrases de cet article :

Tout usage inapproprié, accident, environnement matériel ou utilisation inadéquats, entretien incorrect effectué par vos soins, toute modification, ou toute défaillance provoquée par un produit dont IBM n'est pas responsable, annule les garanties de réparation et de remplacement de la Machine.

Limitation de responsabilité : Le paragraphe suivant est ajouté à cet article :

Si les dispositions d'IBM vont à l'encontre d'une condition ou d'une garantie énoncée par l'accord Trade Practices Act 1974, la responsabilité d'IBM se limite à la réparation ou au remplacement des biens ou à la fourniture de biens équivalents. Lorsque cette condition ou garantie se rapporte à un droit de vente, à une possession ou à un titre incontestable, ou que les biens sont généralement acquis en vue d'une utilisation ou d'une consommation personnelle ou domestique, aucune limitation de ce paragraphe n'est applicable.

REPUBLIQUE POPULAIRE DE CHINE :

Législation : L'article suivant est ajouté à cette déclaration de garantie :

Cette déclaration est régie par les lois de l'Etat de New York.

INDE :

Limitation de responsabilité : Les alinéas suivants remplacent les alinéas 1 et 2 de cet article :

1. aux dommages corporels (y compris le décès) ou aux dommages causés aux biens matériels, immobiliers et mobiliers qui résultent de sa négligence ;

2. pour tout autre dommage réel et direct pouvant survenir dans toute situation impliquant un manquement de la part d'IBM conformément à, ou par rapport à la présente Déclaration de garantie, au montant de la redevance que vous devez acquitter pour la machine faisant l'objet de la réclamation.

NOUVELLE-ZELANDE :

Garantie IBM pour les Machines : Le paragraphe suivant est ajouté à cet article :

Les garanties mentionnées dans cet article s'ajoutent aux droits qui vous sont conférés par l'accord Consumer Guarantees Act 1993 ou une autre législation et qui ne peuvent être exclus ou limités. L'accord Consumer Guarantees Act 1993 ne s'applique pas aux biens fournis par IBM, s'ils sont utilisés à des fins commerciales conformément à l'accord.

Limitation de responsabilité : Le paragraphe suivant est ajouté à cet article :

Si les Machines ne sont pas acquises à des fins commerciales, telles qu'elles ont été définies dans l'accord Consumer Guarantees Act 1993, les limitations de cet article sont soumises aux limitations énoncées dans cet accord.



**EUROPE, MOYEN-ORIENT, AFRIQUE (EMEA) : Les dispositions ci-dessous s'appliquent à tous les pays EMEA.**

Les dispositions exposées dans la présente Déclaration de garantie s'appliquent aux Machines achetées auprès d'un revendeur IBM. Si vous avez acheté cette Machine auprès d'IBM, les dispositions du contrat IBM applicable prévalent sur celles de la présente Déclaration de garantie.

Service prévu par la garantie : Si vous avez acheté une Machine IBM en Allemagne, en Autriche, en Belgique, au Danemark, en Espagne, en Estonie, en Finlande, en France, en Grèce, en Irlande, en Islande, en Italie, en Lettonie, en Lituanie, au Luxembourg, en Norvège, aux Pays-Bas, au Portugal, au Royaume-Uni, en Suède ou en Suisse, vous pouvez obtenir le service prévu par la garantie de cette Machine dans n'importe lequel de ces pays, soit auprès (1) d'un revendeur IBM agréé, soit auprès (2) d'IBM.

Si vous avez acheté une Machine IBM Personal Computer en Albanie, en Arménie, au Bélarus, en Bosnie-Herzégovine, en Bulgarie, en Croatie, dans l'Ex-République yougoslave de Macédoine, en Géorgie, en Hongrie, au Kazakstan, au Kirghizistan, en Pologne, en République de Moldova, en République tchèque, en Roumanie, en Russie, en Slovaquie, en Slovénie, en Ukraine ou en Yougoslavie, vous pouvez obtenir le service prévu par la garantie de cette Machine dans n'importe lequel de ces pays, soit auprès (1) d'un revendeur IBM agréé, soit auprès (2) d'IBM.

Les lois applicables, les Dispositions nationales particulières et les juridictions compétentes pour la présente Déclaration sont ceux du pays dans lequel est fourni le service prévu par la garantie. Toutefois, la loi autrichienne régit la présente Déclaration si le service prévu par la garantie est fourni en Albanie, en Arménie, au Bélarus, en Bosnie-Herzégovine, en Bulgarie, en Croatie, dans l'Ex-République yougoslave de Macédoine, en Géorgie, en Hongrie, au Kazakstan, au Kirghizistan, en Pologne, en République de Moldova, en République tchèque, en Roumanie, en Russie, en Slovaquie, en Slovénie, en Ukraine et en Yougoslavie.

**Les dispositions ci-dessous s'appliquent au pays indiqué.**

**EGYPTE :**

Limitation de responsabilité : L'alinéa suivant remplace l'alinéa 2 de cet article :

2. En ce qui concerne tout autre dommage réel et direct, du montant total que vous avez acquitté pour la Machine faisant l'objet de la réclamation. Applicabilité des fournisseurs et des revendeurs (non modifiée).

**FRANCE :**

Limitation de responsabilité : La phrase suivante remplace la deuxième phrase du premier paragraphe de cet article :

Dans ce cas, quel que soit le fondement de l'action que vous pourriez engager contre IBM, la responsabilité d'IBM sera limitée : (alinéas 1 et 2 non modifiés).



ALLEMAGNE :

Garantie IBM pour les Machines : La phrase suivante remplace la première phrase du premier paragraphe de cet article :

La garantie d'une Machine IBM couvre les fonctionnalités de la machine dans des conditions normales d'utilisation et la conformité de la Machine à ses spécifications.

Les paragraphes suivants sont ajoutés à cet article :

La période minimale de garantie pour les Machines est de six mois.

Si IBM ou votre revendeur se trouvait dans l'incapacité de réparer une Machine IBM, vous pouvez éventuellement demander un remboursement partiel, à condition qu'il soit justifié par la perte de valeur de la Machine non réparée, ou demander une annulation du contrat en vigueur pour la Machine et obtenir un remboursement total.

Portée de la garantie : Le deuxième paragraphe n'est pas applicable.

Service prévu par la garantie : Le paragraphe suivant est ajouté à cet article :

Pendant la période de garantie, les frais de transport de la Machine en panne vers un centre IBM sont à la charge d'IBM.

Etat des composantes de la Machine : Le paragraphe suivant remplace cet article :

Chaque Machine est fabriquée à partir de pièces neuves, ou de pièces neuves et usagées.

Limitation de responsabilité : Le paragraphe suivant est ajouté à cet article :

Les limitations et exclusions mentionnées dans la Déclaration de garantie ne s'appliquent pas aux dommages causés par IBM dans le cadre d'une fraude ou d'une négligence caractérisée, ni à la garantie expresse.

Dans l'alinéa 2, remplacez : "100 000 \$ US" par "1 000 000 DEM".

La phrase suivante est ajoutée à la fin du premier paragraphe de l'alinéa 2 :

La responsabilité d'IBM pour cet alinéa se limite à la violation des dispositions essentielles du contrat dans le cas d'une négligence ordinaire.

IRLANDE :

Portée de la garantie : La phrase suivante est ajoutée à cet article :

Sauf condition expresse stipulée dans les présentes dispositions, toutes les conditions statutaires, y compris toute garantie implicite, mais sans préjudice aux généralités spécifiées dans les garanties mentionnées ci-dessus découlant de l'accord Sale of Goods Act 1893 ou Sale of Goods and Supply of Services Act 1980, sont exclues.

Limitation de responsabilité : Les paragraphes suivants remplacent les deux premiers alinéas du premier paragraphe de cet article :

1. au décès ou aux dommages personnels ou physiques causés à votre bien propre exclusivement en raison d'une négligence de la part d'IBM ; et 2. au montant de tout autre dommage réel et direct, ou perte, à la plus élevée des deux sommes suivantes : 75 000 livres irlandaises ou 125 pour-cent du montant des redevances (s'il s'agit de redevances périodiques, les redevances pour 12 mois s'appliquent) pour la machine faisant l'objet de la réclamation ou donnant lieu à une réclamation.

Applicabilité des fournisseurs et des revendeurs (non modifiée).

Le paragraphe suivant est ajouté à la fin de cet article :

Dans le cas d'une faute contractuelle ou non, la responsabilité totale d'IBM et votre unique recours vis-à-vis d'un manquement seront limités aux dommages.

ITALIE :

Limitation de responsabilité : Le paragraphe suivant remplace la deuxième phrase du premier paragraphe :

Dans ces circonstances et en l'absence d'obligations légales impératives, la responsabilité d'IBM sera limitée : alinéa 1 non modifié) 2) au montant total que vous devez acquitter pour la Machine faisant l'objet de la réclamation, en ce qui concerne tout autre dommage réel pouvant survenir dans une situation impliquant un manquement de la part d'IBM conformément à, ou par rapport à la présente Déclaration de garantie.

Applicabilité des fournisseurs et des revendeurs (non modifiée).

Le paragraphe suivant remplace le deuxième paragraphe de cet article :

En l'absence d'obligations légales impératives, IBM et votre revendeur ne sont pas responsables : (alinéas 1 et 2 non modifiés) 3) des dommages indirects, même si IBM ou votre revendeur a eu connaissance de la possibilité de tels dommages.

AFRIQUE DU SUD, NAMIBIE, BOTSWANA, LESOTHO ET SWAZILAND :

Limitation de responsabilité : Le paragraphe suivant est ajouté à cet article :

La responsabilité totale d'IBM envers vous se limite à la redevance que vous devez acquitter pour la Machine faisant l'objet de la réclamation, en ce qui concerne tout dommage réel pouvant survenir dans une situation impliquant un manquement de la part d'IBM par rapport à la présente Déclaration de garantie.

TURQUIE :

Etat des composantes de la Machine : La phrase suivante remplace cet article :

IBM honore les commandes de ses clients pour les Machines IBM récemment fabriquées en accord avec les normes de production IBM.

ROYAUME-UNI :

Limitation de responsabilité : Le paragraphe suivant remplace les alinéas 1 et 2 du premier paragraphe de cet article :

1. au décès ou aux dommages personnels ou physiques causés à votre bien propre exclusivement en raison d'une négligence de la part d'IBM ;
2. au montant de tout autre dommage réel direct ou perte, à la plus élevée des sommes suivantes : 150 000 livres Sterling ou 125 pour-cent du montant des redevances (s'il s'agit de redevances périodiques, les redevances pour 12 mois s'appliquent) pour la machine faisant l'objet de la réclamation ou donnant lieu à une réclamation.

L'alinéa suivant est ajouté à ce paragraphe :

3. de l'inexécution des obligations d'IBM mentionnées à la Section 12 de l'accord Sale of Goods Act 1979 ou à la Section 2 de l'accord Supply of Goods and Services Act 1982.

Applicabilité des fournisseurs et des revendeurs (non modifiée).

La phrase suivante est ajoutée à la fin de cet article :

Dans le cas d'une faute contractuelle ou non, la responsabilité totale d'IBM et votre unique recours vis à vis d'un manquement se limiteront aux dommages.

AMERIQUE DU NORD :

CANADA :

Service prévu par la garantie : La phrase suivante est ajoutée à cet article :

Pour bénéficier du service prévu par la garantie, appelez IBM au **1-800-465-6666**.

ETATS-UNIS :

Service prévu par la garantie : La phrase suivante est ajoutée à cet article :

Pour bénéficier du service prévu par la garantie, appelez IBM au **1-800-IBM-SERV**.



---

# Index

## A

adresse IP, définition 7  
adresse IP par défaut 7  
alimentation CA, coupure vii  
armoires 9306 Netfinity 4  
armoires à portes isoplanes 4  
avis de conformité à la réglementation d'Industrie  
Canada 21  
avis de conformité à la réglementation de l'Union  
Européenne 21

## B

bibliographie ix

## C

CA (courant alternatif), coupure de l'alimentation vii  
cartes de bus hôte prises en charge 1  
code machine, licence IBM 22  
commande de pièces manquantes 2  
concentrateur, installation dans une armoire 3  
concentrateur, installation sur un bureau 3  
concentrateur géré, définition du nom 8  
concentrateur géré IBM 3534, installation 1  
concentrateur géré IBM 3534, vérification de  
l'installation 15  
conformité aux normes relatives aux appareils à  
laser viii  
consigne relative à la pile viii  
consignes, émissions électroniques 20  
consignes de sécurité, traduction vii  
consignes relatives à la sécurité et à  
l'environnement vii  
contrôles de sécurité vii  
coupure de l'alimentation CA vii

## D

définition de l'adresse IP 7  
définition de l'adresse IP via le port Ethernet 8  
définition de l'adresse IP via le port série 9  
définition du nom du concentrateur géré 8  
démon RSH 17

## E

électroniques, émissions 20  
émissions électroniques 20  
environnement et sécurité, consignes vii  
Ethernet 8

## G

GBIC, installation 7  
Germany compliance addendum 21

## H

hôte UNIX, téléchargement de microcode 16  
hôte Windows, téléchargement de microcode 16

HyperTerminal 9

## I

IBM 3534, installation 1  
Industrie Canada, avis de conformité 21  
installation dans une armoire 3  
installation du concentrateur géré IBM 3534 1  
installation du concentrateur IBM 3534, vérification 15  
installation du port GBIC 7  
installation sur un bureau 3  
instructions d'installation 2

## J

Japanese Voluntary Control Council for Interference  
(VCCI) class 1 statement 22

## L

laser, conformité aux normes viii  
licence IBM pour le code machine 22  
liste de contrôle préalable à l'installation 1

## M

machine, vérification externe vii  
marques 20  
masque de sous-réseau 8  
microcode, procédure de mise à niveau 16  
microcode, téléchargement 15

## N

Netfinity 9306, armoires 4  
nom du concentrateur géré, définition 8

## O

outils requis 4

## P

pièces de rechange 2  
pièces manquantes 2  
pile, consigne viii  
plateformes prises en charge 1  
port Ethernet, définition de l'adresse IP 8  
port série, définition de l'adresse IP 9  
portes isoplanes, armoires 4  
préface ix  
préparation à l'installation, liste de contrôle 1  
procédure de mise à niveau du microcode 16  
produit, recyclage viii  
publications connexes ix

## R

recommandations de la Federal Communications  
Commission (FCC) 20  
recyclage du produit viii  
remplacement de pièces 2  
restrictions d'utilisation viii  
restrictions générales viii  
RSH, démon 17

## S

sécurité, contrôles vii  
sécurité, traduction des consignes vii  
sécurité et environnement, consignes vii  
sites Web ix  
StorWatch Specialist 8

## T

Taiwan class A compliance statement 22  
téléchargement de microcode 15  
téléchargement de microcode à partir d'un hôte  
UNIX 16  
téléchargement de microcode à partir d'un hôte  
Windows 16  
Telnet 8  
traduction des consignes de sécurité vii

## U

Union Européenne, avis de conformité 21  
utilisation, restrictions viii

## V

valeur par défaut, adresse IP 7  
vérification de l'installation du concentrateur géré IBM  
3534 15  
vérification externe de la machine vii





SY11-1111-00





---

## Part 3. Germany

This part contains the German translation of the *IBM 3534 SAN Fibre Channel Managed Hub, Translations for Installing the Managed Hub*.



IBM 3534 SAN Fibre Channel Managed Hub



# Installationshandbuch

**Hinweis**

Vor Verwendung dieser Informationen und des dazugehörigen Produkts unbedingt die allgemeinen Informationen unter „Sicherheits- und Umwelthinweise“ auf Seite vii und „Bemerkungen und Marken“ auf Seite 21 lesen.

**Erste Ausgabe (August 2000)**

Diese Veröffentlichung ist eine Übersetzung des Handbuchs  
*IBM 3534 SAN Fibre Channel Managed Hub, Installation,*  
IBM Form SY27-7621-00,

herausgegeben von International Business Machines Corporation, USA

© Copyright International Business Machines Corporation 2000

© Copyright IBM Deutschland Informationssysteme GmbH 2000

Informationen, die nur für bestimmte Länder Gültigkeit haben und für Deutschland, Österreich und die Schweiz nicht zutreffen, wurden in dieser Veröffentlichung im Originaltext übernommen.

Möglicherweise sind nicht alle in dieser Übersetzung aufgeführten Produkte in Deutschland angekündigt und verfügbar; vor Entscheidungen empfiehlt sich der Kontakt mit der zuständigen IBM Geschäftsstelle.

Änderung des Textes bleibt vorbehalten.

Herausgegeben von:

SW NLS Center

Kst. 2877

August 2000

---

# Inhaltsverzeichnis

<b>Abbildungsverzeichnis</b> . . . . .	v
<b>Sicherheits- und Umwelthinweise</b> . . . . .	vii
Übersetzte Sicherheitshinweise . . . . .	vii
Sicherheitsüberprüfung . . . . .	vii
Stromversorgung unterbrechen . . . . .	vii
Externe Maschinenprüfung. . . . .	vii
Sicherheitshinweise zu Batterien . . . . .	viii
Hinweis zur Wiederverwertbarkeit . . . . .	viii
Lasersicherheit . . . . .	viii
Allgemeine Einschränkungen. . . . .	viii
Einschränkungen in der Verwendung. . . . .	viii
<b>Zu diesem Handbuch</b> . . . . .	ix
Zielgruppe . . . . .	ix
Referenzliteratur. . . . .	ix
Websites . . . . .	ix
<b>3534 Managed Hub installieren.</b> . . . . .	1
Prüfliste der Installationsvorbereitungen von Kundenseite. . . . .	1
Installationsanweisung . . . . .	3
Desktop-Installation. . . . .	3
Installation im Gehäuse . . . . .	3
GBIC installieren. . . . .	9
IP-Adresse einstellen . . . . .	10
Namen des Managed Hub einstellen . . . . .	11
IP-Adresse über den Ethernet-Anschluss einstellen . . . . .	11
IP-Adresse über den seriellen Anschluss einstellen . . . . .	13
Installation des 3534 Managed Hub prüfen . . . . .	18
Firmware herunterladen . . . . .	19
Prozedur zum Upgrade der Firmware . . . . .	19
<b>Bemerkungen und Marken</b> . . . . .	21
<b>Marken</b> . . . . .	23
<b>Hinweise zur elektromagnetischen Verträglichkeit.</b> . . . . .	25
Hinweise für Deutschland . . . . .	25
<b>Index</b> . . . . .	27



---

## Abbildungsverzeichnis

1. Bewegliche Schiene . . . . .	5
2. Beweglichen Teil der Schiene und Sperrvorrichtungen am 3534 Managed Hub befestigen . . . . .	6
3. Führungsschiene und Sperrvorrichtung befestigen . . . . .	7
4. Bewegliche Schienen in die Führungsschienen schieben . . . . .	8
5. Position des GBIC-Anschlusses . . . . .	9
6. Vorderes Ende des GBIC . . . . .	9
7. 3534 Managed Hub . . . . .	10
8. Befehl <b>switchName</b> - Beispiel . . . . .	11
9. Fenster "Connection Description" . . . . .	13
10. Fenster "Connect to" . . . . .	14
11. "COM1 Properties" - Fenster "Port Settings" . . . . .	15
12. Registerkarte "Settings" - Fenster "Emulation" . . . . .	16
13. HyperTerminal-Sitzung . . . . .	17





---

## Sicherheits- und Umwelthinweise

Dieses Handbuch enthält Sicherheitshinweise. Die Nichtbeachtung der Vorschriften in den mit VORSICHT gekennzeichneten Sicherheitshinweisen kann zu schweren Verletzungen führen. Die Nichtbeachtung der Vorschriften in den mit ACHTUNG gekennzeichneten Sicherheitshinweisen kann zu leichten Verletzungen bzw. zu Schäden an Hardware oder Software oder zu Datenverlusten führen.

---

### Übersetzte Sicherheitshinweise

Die Übersetzungen der Sicherheitshinweise dieses Handbuchs befinden sich in einem separaten Buch. Übersetzungen der Hinweise mit der Überschrift VORSICHT finden Sie im Handbuch *IBM External Devices Safety Information*, IBM Form SA26-7003.

Übersetzte Hinweise sind im Handbuch zu den Sicherheitshinweisen einfach aufzufinden, da sie nach Nummern geordnet sind. Wie im folgenden Beispiel ist immer eine ID-Nummer (hier: 72XXD201) angegeben.

#### Vorsicht

**Gerät nur an eine Schutzkontaktsteckdose mit ordnungsgemäß geerdetem Schutzkontakt anschließen. Bei nicht ordnungsgemäß angeschlossener Netzsteckdose können an offenliegenden Metallteilen des Systems oder an angeschlossenen Geräten gefährliche Berührungsspannungen auftreten. Für den ordnungsgemäßen Zustand der Steckdose ist der Betreiber verantwortlich. (72XXD201)**

#### Achtung:

**Ein Sicherheitshinweis ACHTUNG macht auf eine Gefahr aufmerksam, die leichtere Verletzungen zur Folge haben kann. (RSFTC228)**

---

### Sicherheitsüberprüfung

Führen Sie die folgenden Sicherheitsüberprüfungen durch, um mögliche Gefahrenquellen zu erkennen. Der Benutzer muss jedoch auch selbst auf andere mögliche Sicherheitsrisiken achten, die in den Sicherheitshinweisen nicht erwähnt sind. Führen Sie diese Überprüfung vor dem Einschalten des Gerätes durch. Sollten dabei mögliche Gefahrenquellen erkannt werden, ist zu entscheiden, ob eine Fortsetzung ohne größeres Risiko möglich ist, oder ob der Fehler zuerst behoben werden muss.

### Stromversorgung unterbrechen

Führen Sie die folgenden Schritte aus, um die Stromversorgung zu unterbrechen:

1. Führen Sie einen ordnungsgemäßen Systemabschluss durch.
2. Ziehen Sie das Netzkabel aus der Steckdose.

### Externe Maschinenprüfung

Führen Sie die folgende externe Maschinenüberprüfung durch:

**Achtung:** IBM berechtigt nur geschulte Kundendienstmitarbeiter zum Öffnen dieser Maschine. Sie darf nur im Werk gewartet werden.

1. Stellen Sie sicher, dass alle äußeren Abdeckungen vorhanden und nicht beschädigt sind.
2. Stellen Sie sicher, dass alle Verriegelungen und Scharniere betriebsbereit sind.
3. Wenn der 3534 Managed Hub nicht in einem Gehäuse installiert ist, überprüfen Sie ihn auf lose oder zerbrochene Füße.
4. Überprüfen Sie das Netzkabel auf Schäden.
5. Überprüfen Sie das externe Signalkabel auf Schäden.
6. Überprüfen Sie die Abdeckung auf scharfe Kanten, Schäden oder Änderungen, die die inneren Teile des Gerätes freilegen.
7. Beheben Sie alle vorliegenden Fehler.

---

## Sicherheitshinweise zu Batterien

Lithiumbatterien sind feuergefährlich, explosiv und können schwere Verbrennungen verursachen. Die Batterie nicht mit Wasser in Berührung bringen, über 100 °C erhitzen, wiederaufladen, reparieren oder zerlegen. Batterie nicht in Reichweite von Kindern aufbewahren. Eine verbrauchte Batterie nur durch eine Batterie mit der für dieses System spezifizierten Teilenummer ersetzen. Andere Batterien können sich entzünden oder explodieren. Der Batterieanschluss weist zwei verschiedene Pole auf; beim Anschließen die Pole nicht vertauschen. Batterien gemäß den örtlichen Richtlinien für Sondermüll entsorgen.

---

## Hinweis zur Wiederverwertbarkeit

Dieses Gerät enthält wieder verwertbare Stoffe und ist entsprechend den gesetzlichen Auflagen zu verwerten/entsorgen. Die IBM Deutschland nimmt jedes IBM Gerät zurück und sorgt für die ordnungsgemäße Verwertung/Entsorgung. Berechnet wird dafür der Selbstkostenpreis. Für weitere Informationen sprechen Sie bitte Ihren IBM Vertriebsbeauftragten oder IBM Händler an.

---

## Lasersicherheit

Dieses Gerät kann einen Transceiver mit Einfach- oder Mehrfachmodus mit einem Laser der Klasse 1 enthalten. Die Transceiver entsprechen IEC 825-1 und FDA 21 CFR 1040.10 und 1040.11. Den Transceiver nur unter den empfohlenen Betriebsbedingungen betreiben.

---

## Allgemeine Einschränkungen

Die Klassifizierung gilt nur, wenn das Modul innerhalb der angegebenen Begrenzungen für Temperatur und Spannung betrieben wird. Das System, in dem das Modul verwendet wird, muss über einen Spannungsschutz verfügen, der gewährleistet, dass der Versorgungsstromkreis des Systems keinen Netzstrom mehr liefert, wenn bei +3,3V/5V an der Stromquelle mindestens der maximal empfohlene Grenzwert festgestellt wird. Die Betriebstemperatur des Moduls muss innerhalb der empfohlenen Grenzwerte liegen. Diese Grenzwerte gewährleisten die Lasersicherheit.

---

## Einschränkungen in der Verwendung

Die optischen Anschlüsse der Module müssen entweder mit einem optischen Stecker oder mit einem Staubschutz abschließen.

---

## Zu diesem Handbuch

Das vorliegende Handbuch enthält Anweisungen zur Installation des IBM 3534 SAN Fibre Channel Managed Hub; es entspricht "Kapitel 2. Installing the 3534 Managed Hub" des Handbuchs *IBM 3534 SAN Fibre Channel Managed Hub Managed Hub Installation and Service Guide*, IBM Form SY27-7616.

---

## Zielgruppe

Dieses Handbuch richtet sich an:

- Geschulte Kundendienstmitarbeiter, die Hardwarefehler beim IBM 3534 SAN Fibre Channel Managed Hub feststellen und beheben.
- Kunden, die den IBM 3534 SAN Fibre Channel Managed Hub installieren und konfigurieren. Der IBM 3534 SAN Fibre Channel Managed Hub ist ein Gerät, das vom Kunden konfiguriert werden kann (CSU, Customer Setup Unit). Zur Anwendung des Kapitels zur Installation sollten Sie Ihr Netzwerk und die zugehörige Software warten können. Außerdem müssen Sie den sicheren Umgang mit elektrischen Komponenten beherrschen.

**Wichtig:** In diesem Handbuch bezieht sich der Term "Switch" immer auf Switches und Hubs, es sei denn, er wird ausdrücklich anders verwendet.

**Wichtig:** In diesem Handbuch wird der IBM StorWatch SAN Fibre Channel Managed Hub Specialist als StorWatch Specialist bezeichnet.

---

## Referenzliteratur

Zusätzliche Informationen zum 3534 Managed Hub können Sie in den folgenden Veröffentlichungen finden:

- *IBM 3534 SAN Fibre Channel Managed Hub Managed Hub Installation and Service Guide*, IBM Form SY27-7616
- *IBM 3534 SAN Fibre Channel Managed Hub User's Guide*, IBM Form GC26-7391
- *IBM External Devices Safety Information*, IBM Form SA26-7003
- *Electrical Safety for IBM Customer Engineers*, IBM Form S229-8124

Eine weitere Veröffentlichung, in der Referenzinformationen enthalten sein können, sind die Fibre-Channel-Standards; siehe „Websites“.

---

## Websites

Zusätzliche Informationen zu Speicherprodukten finden Sie auf der folgenden Website:

<http://www.ibm.com/storage/fchub>

Zusatzinformationen zu den Fibre-Channel-Standards finden Sie unter der Web-Adresse der Fibre Channel Association:

<http://www.fibrechannel.com>



## 3534 Managed Hub installieren

**Achtung:** In diesem Handbuch bezieht sich der Begriff "Switch" immer auf Switches und Hubs, es sei denn, er wird ausdrücklich anders verwendet.

### Prüfliste der Installationsvorbereitungen von Kundenseite

Vor der Installation des 3534 Managed Hub sollten Sie diese Prüfliste durchgehen. Einige der Schritte können je nach der Host-Plattform, die sie an den 3534 Managed Hub anschließen, variieren. Die IP-Adresse für den 3534 Managed Hub sollte bereits zur Verfügung stehen und die weiteren Installationsvorgänge sollten bereits organisiert sein. Tabelle 1 zeigt die Prüfliste für Installationsvorbereitungen.

Tabelle 1. Prüfliste der Installationsvorbereitungen von Kundenseite

Schritt	Aktion oder Entscheidung des Kunden	Kommentare und Verweise
1	<ul style="list-style-type: none"><li>• Desktop-Installation</li><li>• Installation im Gehäuse</li></ul>	Entscheiden Sie, ob der 3534 Managed Hub in der Desktop-Konfiguration oder in der Gehäusekonfiguration installiert werden soll.
2	Erforderliches Service-Paket für das Betriebssystem der Host-Plattform ist installiert. Z. B. Service-Paket für Windows NT® ab Version 4.0 und die erforderlichen Hot Fixes.	Eine aktuelle Liste der unterstützten Plattformen, die erforderlichen Updates des Codes der Host-Plattform und Informationen darüber, wo diese erhältlich sind, finden Sie unter der folgenden Web-Adresse:  <a href="http://www.ibm.com/storage/fchub">http://www.ibm.com/storage/fchub</a>  Informationen hierzu erhalten Sie auch beim technischen Kundendienst der IBM.
3	Für Fibre Channel erforderlicher Host-Busadapter, HBA BIOS und Gerätetreiber.	Eine Liste der unterstützten HBAs, das erforderliche BIOS und die erforderlichen Gerätetreiber finden Sie <i>nur</i> unter folgender Web-Adresse:  <a href="http://www.ibm.com/storage/fchub">http://www.ibm.com/storage/fchub</a>
4	Stellen Sie sicher, dass die Platten- oder Bandsysteme, die installiert werden sollen, kompatibel sind.  Der Gerätetreiber wird installiert oder aktualisiert.	Dieser Schritt wird in der Regel von einem Kundendienstmitarbeiter während der Installation der Zieleinheit durchgeführt.  Eine Liste der unterstützten Systeme und des erforderlichen BIOS und der erforderlichen Gerätetreiber finden Sie <i>nur</i> unter der folgenden Web-Adresse:  <a href="http://www.ibm.com/storage/fchub">http://www.ibm.com/storage/fchub</a>
5	Alle Fibre-Channel-Kabel des Host sind: <ul style="list-style-type: none"><li>• zusammen mit dem Produkt bestellt oder vorinstalliert und geprüft</li><li>• mit der Host-System-Kennung und der Kennung für den 3534 Managed Hub ausgezeichnet</li></ul>	In der HBA-Spezifikation, die mit dem HBA geliefert wurde, finden Sie die erforderlichen Kabel, die Host-System-Kennung und die Kennung für den 3534 Managed Hub. Geben Sie auf dem Etikett z. B. den vorgesehenen Anschluss oder den vorgesehenen Standort an.

Tabelle 1. Prüfliste der Installationsvorbereitungen von Kundenseite (Forts.)

6	<p>Legen Sie die Konfiguration des 3534 Managed Hub Ethernet-Anschlusses in den folgenden Punkten fest.</p> <p><b>Achtung:</b> Speichern Sie die Konfiguration, um später darauf zurückgreifen zu können.</p> <ul style="list-style-type: none"> <li>• Statische IP-Adresse _____</li> <li>• Netmask (falls erforderlich) _____</li> </ul> <p>Befindet sich der 3534 Managed Hub nicht im selben TCP/IP-Subnetzwerk wie der Server*, geben Sie die Standardadresse des Gateway des Netzwerkes und/oder die Einträge in den Routing-Tabellen ein.</p>	<p><b>Achtung:</b> Die Verwendung falscher Ethernet-Parameter kann Fehler im Ethernet-Netzwerk verursachen.</p> <p>Die Ethernet-Parameter für den 3534 Managed Hub erhalten Sie bei Ihrem Systemadministrator.</p>
7	<p>Legen Sie den Namen des verwalteten Hub über den Telnet-Befehl <b>switchName</b> fest.</p>	<p>Der Name des Managed Hub muss der Internetprotokolladresse (IP-Adresse) auf dem Host-System entsprechen, das den StorWatch™ Specialist verwendet. Dies ist auch erforderlich, wenn die IP-Adresse über den Web-Browser verwendet wird, um eine Verbindung mit dem Managed Hub herzustellen. Ihr Netzwerkadministrator sollte die IP-Adresse des Managed Hub zum Domänennamens-Server (DNS) oder zum Netzwerkinformationsdienst (NIS) hinzufügen. Alternativ können Sie eine lokale Namensauflösung unter Verwendung einer Host-Datei ausführen. Andernfalls kommt es bei Verwendung eines Web-Browsers zur Verwaltung des Managed Hub zu Leistungseinbußen.</p>
8	<p>Führen Sie das Ethernet-Kabel vom Server* zum Netzwerk-Hub.</p>	
9	<p>Führen Sie das Ethernet-Kabel vom Netzwerk-Hub dorthin, wo der 3534 Managed Hub installiert werden soll.</p>	Keine
<p>*Der Begriff <i>Server</i> bezieht sich hier auf den Computer, der für den StorWatch SAN Fibre Channel Managed Hub Specialist verwendet wird.</p>		

---

## Installationsanweisung

Der 3534 Managed Hub kann entweder in einer Gehäusekonfiguration oder in einer Desktop-Konfiguration installiert werden. Bevor Sie den 3534 Managed Hub und das Netzkabel installieren, installieren Sie die GummifüÙe für die Desktop-Installation oder installieren Sie den 3534 Managed Hub in einem Gehäuse.

**Anmerkung:** Bei fehlenden Teilen finden Sie unter folgender Web-Adresse die Telefonnummer, unter der Sie Ersatzteile anfordern können:

<http://www.ibm.com/storage/fchub>

## Desktop-Installation

Der 3534 Managed Hub wird in der Desktop-Konfiguration ausgeliefert. KlebegummifüÙe werden mitgeliefert. Kleben Sie sie an der Unterseite des 3534 Managed Hub in den vier vorgesehenen Vertiefungen an. Gehen Sie wie folgt vor, um die GummifüÙe zu befestigen:

1. Drehen Sie den 3534 Managed Hub mit der Unterseite nach oben und legen Sie ihn auf die Oberseite.
2. Wischen Sie an den vier Vertiefungen den Staub ab.
3. Lösen Sie die GummifüÙe von der Folie, die mit dem Versandsatz geliefert wurde, und setzen sie in jede Vertiefung einen Fuß ein.
4. Drücken Sie die vier GummifüÙe fest in die Vertiefungen.
5. Drehen Sie den 3534 Managed Hub wieder in die Normalposition und stellen Sie ihn an den vorgesehenen Platz.

## Installation im Gehäuse

Vor der Installation des Gerätes im Gehäuse sind die folgenden Hinweise zu beachten:

**Achtung:** Installieren Sie das Modul nicht in ein Gehäuse, dessen innere Temperatur 40 °C überschreitet oder in dem der Luftstrom behindert wird. Der Luftstrom führt von der Hinterseite zur Vorderseite des Gerätes; halten Sie daher Vorder- und Hinterseite des Gehäuses frei.

**Achtung:** Wenn Sie dieses Gerät in ein Gehäuse einbauen, achten Sie darauf, dass die Glasfaserkabel, die an das Gerät angeschlossen sind, nach der Installation nicht an die Gehäusetüren oder Hardware-Elemente anstoßen.

**Anmerkung:** Bei Gehäusen mit Flush-Mount-Türen, wie z. B. das Gehäuse für den Server 9306 Netfinity® bestehen folgende Möglichkeiten:

- Sie können mit diesem Gerät einen 3523 Netfinity Fibre Channel Hub ersetzen, indem Sie die GummifüÙe installieren (siehe „Desktop-Installation“) und den 3534 Managed Hub auf dem Einbaurahmen des Gehäuses platzieren, auf dem sich zuvor der 3523 befunden hat.
- Sie können auch die Schiebvorrichtung für das Gehäuse verwenden, indem Sie den 3534 Managed Hub an den Befestigungslöchern befestigen, die im Abstand von ca. 8 cm gesetzt sind, und die Sperrvorrichtung entfernen.

## Vorsicht

**Gerät nur an eine Schutzkontaktsteckdose mit ordnungsgemäß geerdetem Schutzkontakt anschließen. Bei nicht ordnungsgemäß angeschlossener Netzsteckdose können an offenliegenden Metallteilen des Systems oder an angeschlossenen Geräten gefährliche Berührungsspannungen auftreten. Für den ordnungsgemäßen Zustand der Steckdose ist der Betreiber verantwortlich. (72XXD201)**

Dieses Gerät benötigt eine Stromstärke von 2 A bei einer Spannung von 110 bis 127 V oder 1 A bei 200 bis 240 V Wechselstrom. Stellen Sie sicher, dass beim Anschluss des Geräts an den Versorgungsstromkreis keine Stromkreisüberlastung die Verkabelung oder den Überstromschutz überlastet.

**Wichtig:** Für die Installation im Gehäuse sind die folgenden Werkzeuge erforderlich:

- Standardschlitzschraubendreher
- Steckschlüssel (11/32 oder Schraubenschlüssel)

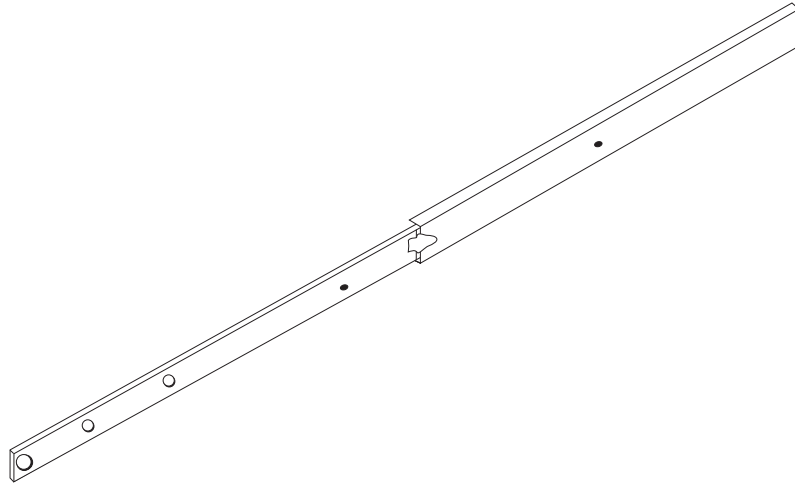
**Wichtig:** Führen Sie vor der Installation im Gehäuse die folgenden Schritte durch:

- Lesen Sie von Schritt 1 auf Seite 5 bis Schritt 4 auf Seite 8.
- Suchen Sie die Schienen für die Befestigung in der Schiebevorrichtung des Gehäuses und die Halterung, die im Versandkarton mitgeliefert wurden.



Der 3534 Managed Hub ist für ein 19-Zoll-Gehäuse nach EIA-Standard konzipiert . Gehen Sie wie folgt vor, um den 3534 Managed Hub in der Gehäusekonfiguration zu installieren:

1. Befestigen Sie die bewegliche Schiene und die Sperrvorrichtung am 3534 Managed Hub.
  - a. Nehmen Sie die beiden Schienen auseinander. Ziehen Sie sie vollständig auseinander, wie in Abb. 1, drücken Sie auf die Haltevorrichtung und nehmen Sie den beweglichen Teil der Schiene aus der Führungsschiene.

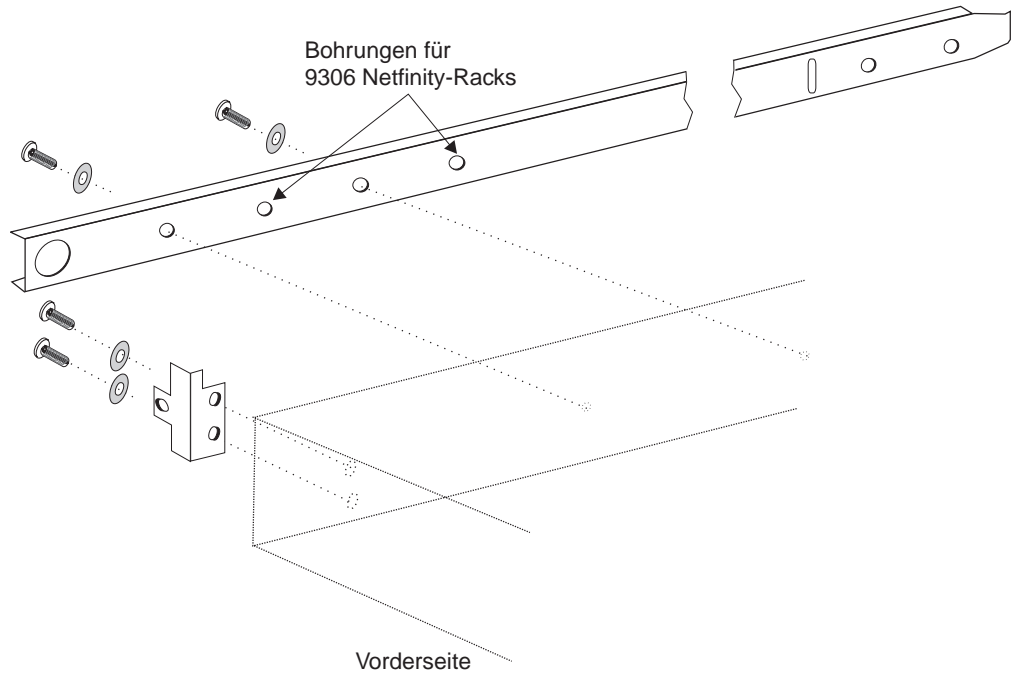


SL08933N

Abbildung 1. Bewegliche Schiene

**Achtung:** Bei Gehäusen mit Flush-Mount-Türen, wie z. B. den Gehäusen für 9306 Netfinity-Server, können Sie die Schiebevorrichtung für das Gehäuse verwenden, indem Sie den 3534 Managed Hub an den Befestigungslöchern befestigen, die im Abstand von ca. 8 cm gesetzt sind, und die Sperrvorrichtungen entfernen.

- b. Befestigen Sie die bewegliche Schiene und die Sperrvorrichtungen am 3534 Managed Hub, wie in Abb. 2. Verwenden Sie dazu die Schrauben, die zusammen mit den Sperrvorrichtungen in der kleinen Schutzhülle geliefert wurden. Befestigen Sie zuerst den beweglichen Teil der Schiene, anschließend die Sperrvorrichtungen.



SL08914N

Abbildung 2. Beweglichen Teil der Schiene und Sperrvorrichtungen am 3534 Managed Hub befestigen

2. Befestigen Sie die Führungsschiene im Gehäuse.
  - a. Öffnen Sie den Einbausatz für die Laufwerkhalterungen und bringen Sie die Halterungen am festen Teil der Führungsschienen an (vier Bohrungen). An jedem Ende der Führungsschienen wird je eine Halterung befestigt. Ziehen Sie die Schrauben an den hinteren Halterungen nur lose an. Erst nach der Installation des 3534 Managed Hub werden die Schrauben festgezogen. Lassen Sie beim Festschrauben der Halterungen zwischen Halterung und Schiene einen Freiraum von ca. 15 mm. An dieser Stelle werden später die Sperrvorrichtungen befestigt.  
**Wichtig:** Bringen Sie die Laufwerkhalterungen so an, dass sich der 3534 Managed Hub genau waagrecht im Gehäuse befindet. Eventuell müssen Sie die Positionierung des Hub durch Lockern der Schrauben an den Halterungen, Verändern der Position und Wiederanziehen der Schrauben korrigieren.
  - b. Verwenden Sie die Befestigungsclips und die langen Schrauben, um die Führungsschienen an den vertikalen Befestigungsleisten im Gehäuse anzubringen. Siehe Abb. 3. Befestigen Sie die drei Clips an der vorderen und an der hinteren Befestigungsleiste im Gehäuse. Der mittlere Clip an der Vorderseite ist für die Sperrvorrichtung vorgesehen.

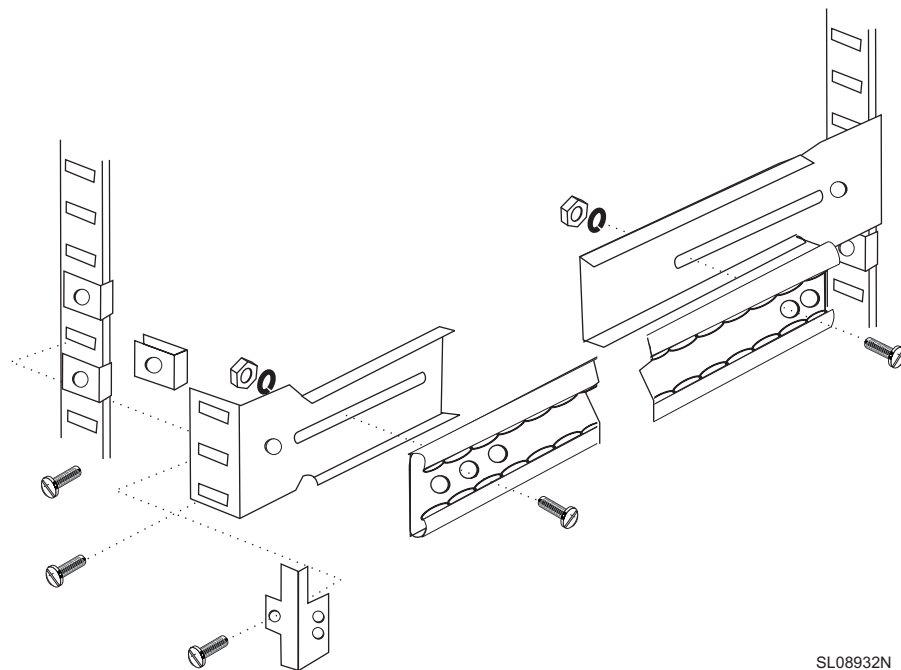
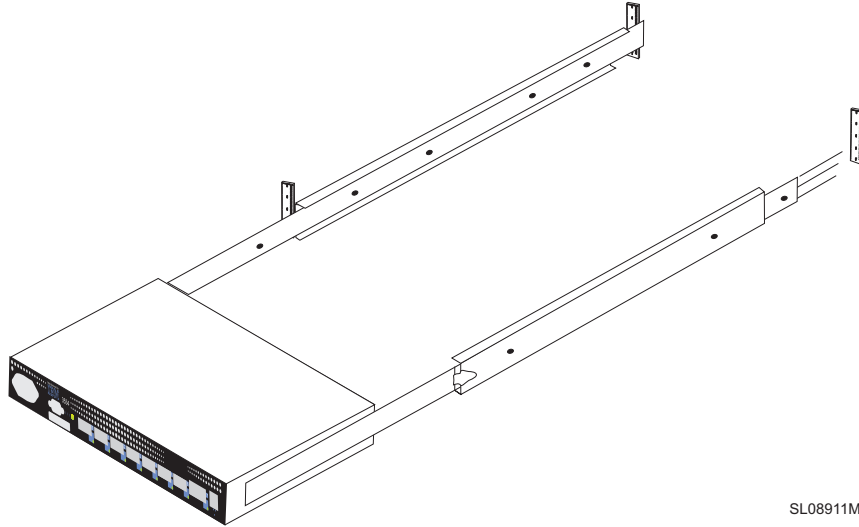


Abbildung 3. Führungsschiene und Sperrvorrichtung befestigen

3. Schieben Sie den 3534 Managed Hub und die beweglichen Schienen in die Führungsschienen, die im Gehäuse befestigt sind.
  - a. Heben Sie den 3534 Managed Hub an und schieben Sie die beweglichen Schienen in die Führungsschienen, die im Gehäuse befestigt sind (siehe Abb. 4). Schieben Sie den 3534 Managed Hub ganz in das Gehäuse.



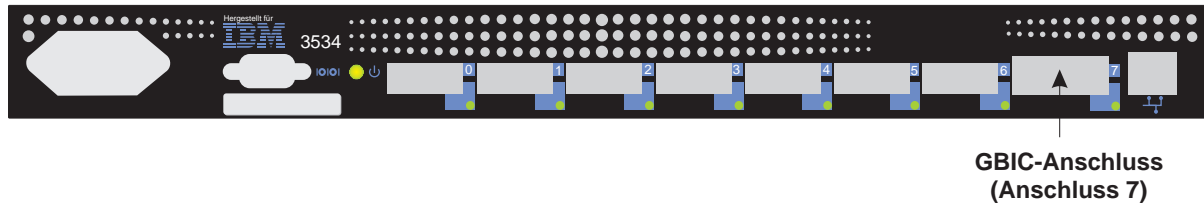
SL08911M

Abbildung 4. Bewegliche Schienen in die Führungsschienen schieben

- b. Schieben Sie den 3534 Managed Hub auf der Führungsschiene mehrmals hin und her, um sicherzustellen, dass er sich problemlos bewegen lässt. Ziehen Sie den 3534 Managed Hub etwas heraus und ziehen Sie die Schrauben der hinteren Halterungen fest, die Sie in Schritt 2a auf Seite 7 nur lose angezogen haben.
    4. Schieben Sie den 3534 Managed Hub wieder vollständig in das Gehäuse. Arretieren Sie den 3534 Managed Hub mithilfe der Schrauben, die mit den Sperrvorrichtungen geliefert wurden, im Gehäuse. Siehe Abb. 3 auf Seite 7.
- Nun ist die Installation des Hub im Gehäuse beendet.

## GBIC installieren

Der 3534 Managed Hub wird mit sieben Anschlüssen für Glasfaserkabel und einem einsteckbaren GBIC-Anschluss geliefert; siehe Abb. 5.



SL08909L

Abbildung 5. Position des GBIC-Anschlusses

Abb. 6 zeigt die Vorderseite des GBIC ohne den Gummistecker, der als Staubschutz dient. Dieser Stecker sollte nicht aus dem GBIC entfernt werden, bis ein Fibre-Channel-Kabel eingesteckt wird. Das andere Ende des GBIC wird in den 3534 Managed Hub eingesteckt.



SL08995M

Abbildung 6. Vorderes Ende des GBIC

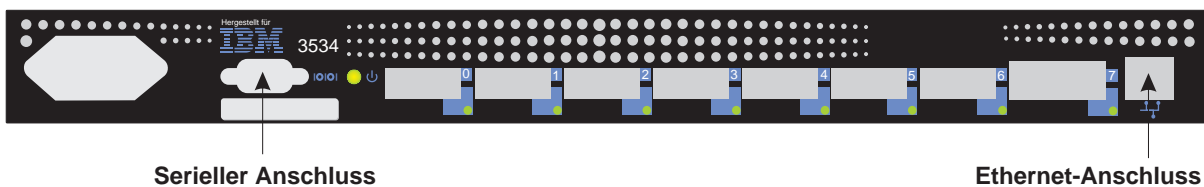
## IP-Adresse einstellen

Die IP-Adresse kann über den seriellen Anschluss oder über den Ethernet-Anschluss eingestellt werden. In der Regel wird, wenn möglich, die IP-Adresse über den seriellen Anschluss eingestellt.

Der 3534 Managed Hub wird vom Werk mit einer vorinstallierten Standard-IP-Adresse (10.77.77.77) ausgeliefert. Diese IP-Adresse ist auf dem Etikett oben an der Vorderseite des 3524 Managed Hub abgedruckt. Diese Adresse dient der externen Ethernet-Verbindung.

Wenn möglich, dann verwenden Sie diese Standardadresse, die Sie Ihrem lokalen Netzwerk (LAN) zuordnen müssen, um eine Netzwerkverbindung zum 3534 Managed Hub herzustellen. In Abb. 7 finden Sie die genaue Platzierung des Ethernet-Anschlusses und des seriellen Anschlusses am 3534 Managed Hub. Sie können die IP-Adresse später mithilfe eines Telnet- oder eines StorWatch-Specialist-Befehls von jedem Server aus, der auf dasselbe LAN Zugriff hat, ändern. Dies ist die einfachste Art, die IP-Adresse einzustellen. Fragen Sie Ihren Systemadministrator, ob die Standardadresse verwendet werden kann.

Wenn es nicht möglich ist, die Standard-IP-Adresse zu verwenden, muss die IP-Adresse über den Ethernet-Anschluss oder über den seriellen Anschluss eingestellt werden. Stellen Sie die IP-Adresse anhand der Informationen ein, die sie nach den Vorgaben der Prüfliste der Installationsvorbereitungen bei Ihrem Systemadministrator erfragt haben.



SL08910L

Abbildung 7. 3534 Managed Hub

## Namen des Managed Hub einstellen

Abb. 8 zeigt den **switchName**-Befehl, mit dem der Name des 3534 Managed Hub eingestellt wird. Der neue Name des Hub muss, wie angezeigt, in Anführungszeichen geschrieben werden. Die Befehlssyntax lautet:

```
switchName "Neuer_Name_des_Hub"
```

```
switch:admin> switchName "sw3"  
Updating flash...
```

Abbildung 8. Befehl **switchName** - Beispiel

Dieser Schritt ist entscheidend, wenn sie den StorWatch Specialist verwenden möchten, um die Verbindung zum Managed Hub über einen Web-Browser herzustellen. Dieser Name muss mit der vom Netzwerkadministrator zugeordneten IP-Adresse auf dem Client-System übereinstimmen, das Sie verwenden, um über den StorWatch Specialist eine Verbindung zum Managed Hub herzustellen. Andernfalls kommt es bei Verwendung eines Web-Browsers zur Verwaltung des Managed Hub zu Leistungseinbußen.

**Anmerkung:** Dieser Befehl kann nur von Benutzern mit Administratorberechtigung verwendet werden.

Es bestehen einige Einschränkungen in Bezug auf Länge und Format des Namens für den 3534 Managed Hub.

## IP-Adresse über den Ethernet-Anschluss einstellen

Bevor Sie die IP-Adresse über den Ethernet-Anschluss einstellen, sollte Ihnen der Systemadministrator einen Host zur Verfügung stellen, der sich im selben Subnetz wie der 3534 Managed Hub befindet. Eine sekundäre Adresse sollte über die Maske 255.255.255.0 auf 10.77.77.1 (oder eine ähnliche noch verfügbare Adresse, die sich von der des 3534 Managed Hub unterscheidet) eingestellt werden.

Wenn Sie diese Methode nicht verwenden können, lesen Sie im Kapitel „IP-Adresse über den seriellen Anschluss einstellen“ auf Seite 13 weiter.

1. Schließen Sie das LAN an der Frontverkleidung des 3534 Managed Hub an, indem Sie ein Ethernet 10/100BaseT LAN-Kabel in den RJ-45-Anschluss an der Vorderseite des 3534 Managed Hub einstecken.
2. Schalten Sie den 3534 Managed Hub ein, indem Sie ihn an eine Netzsteckdose anschließen. Stellen Sie sicher, dass das Netzkabel fest in der Vorderseite des Gerätes verankert ist und das grüne LED-Signal leuchtet. Warten Sie 2 Minuten, bis das Diagnoseprogramm beendet ist.

3. Geben Sie von einem am LAN angeschlossenen Server aus die Telnet-IP-Adresse ein. Handelt es sich um die Erstinstallation, verwenden Sie die Standard-IP-Adresse, die Sie auf dem Etikett an der linken oberen Ecke des 3534 Managed Hub finden. Wurde der 3534 Managed Hub bereits mit der auf dem Etikett aufgedruckten IP-Adresse installiert, verwenden Sie weiterhin diese Adresse. Wurde die auf dem Etikett aufgedruckte IP-Adresse nicht verwendet, kann Ihnen Ihr Systemadministrator die aktuelle IP-Adresse mitteilen.  
Der 3534 Managed Hub reagiert wie im Folgenden angezeigt. Geben Sie für jede Eingabeaufforderung die entsprechende Information wie angezeigt ein und drücken Sie anschließend die Eingabetaste.
  - a. Login: admin  
Der 3534 Managed Hub wird mit diesem Standardnamen für den Administrator geliefert.
  - b. Password: password  
Dies ist das Standardkennwort. Das Kennwort ist bei der Eingabe nicht sichtbar.
  - c. Ippaddress:admin> ipAddrSet  
Mit diesem Befehl wird die IP-Adresse eingestellt.
  - d. Ethernet IP address [current address will be shown]: Neue IP-Adresse.  
Hierbei handelt es sich um die neue, vom Systemadministrator vergebene Adresse.
  - e. Ethernet Subnetmask [Current sub net mask will be shown or None]: Neue Subnet-Maske eingeben oder Eingabetaste drücken.  
Hierbei handelt es sich um die neue Subnet-Maske des Systemadministrators; ist keine Subnet-Maske erforderlich, drücken Sie die Eingabetaste.
  - f. Fibre Channel IP Address [None]: Eingabetaste drücken.  
Fibre Channel Subnetmask [None]: Eingabetaste drücken.
  - g. Gateway Address [Current Gateway address or None]: Neue Gateway-Adresse eingeben oder Eingabetaste drücken.  
Hierbei handelt es sich um die Gateway-Adresse, die der Systemadministrator Ihnen mitgeteilt; ist keine Gateway-Adresse erforderlich, drücken Sie die Eingabetaste.
  - h. Ippaddress:admin> logout
4. Durch diese Eingabe wird die Telnet-Sitzung beendet. Die Installation des 3534 Managed Hub ist beendet. Zur Überprüfung der Fibre-Channel-Anschlüsse des 3534 Managed Hub siehe „Installation des 3534 Managed Hub prüfen“ auf Seite 18.



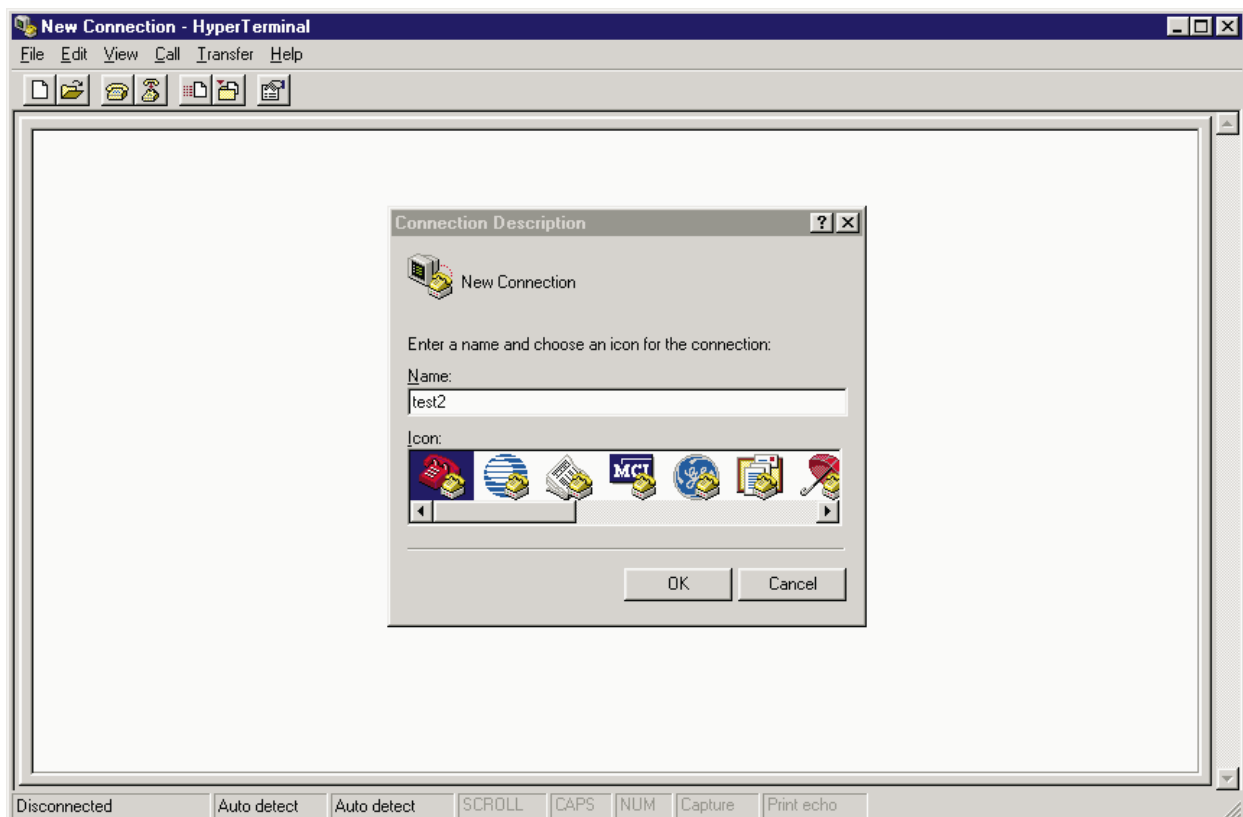
## IP-Adresse über den seriellen Anschluss einstellen

**Wichtig:** Das Starten einer HyperTerminal-Sitzung ist je nach der Version des Betriebssystems Windows® unterschiedlich. Die folgende Prozedur bezieht sich auf einen Laptop-Computer, auf dem das Betriebssystem Windows® 98 installiert ist. Starten Sie die HyperTerminal-Sitzung indem Sie "Start" => "Programme" => "Zubehör" auswählen.

**Wichtig:** Verwenden Sie kein Nullmodemkabel. Verwenden Sie unbedingt das serielle Kabel, das mit dem 3534 Managed Hub geliefert wurde, um die Verbindung zum seriellen Anschluss herzustellen, oder ein anderes Kabel mit zwei Anschlussseiten, das eine durchgehende Verbindung für die Signalleitungen hat.

Gehen Sie wie folgt vor, um die IP-Adresse über den seriellen Anschluss einzustellen oder zu ändern:

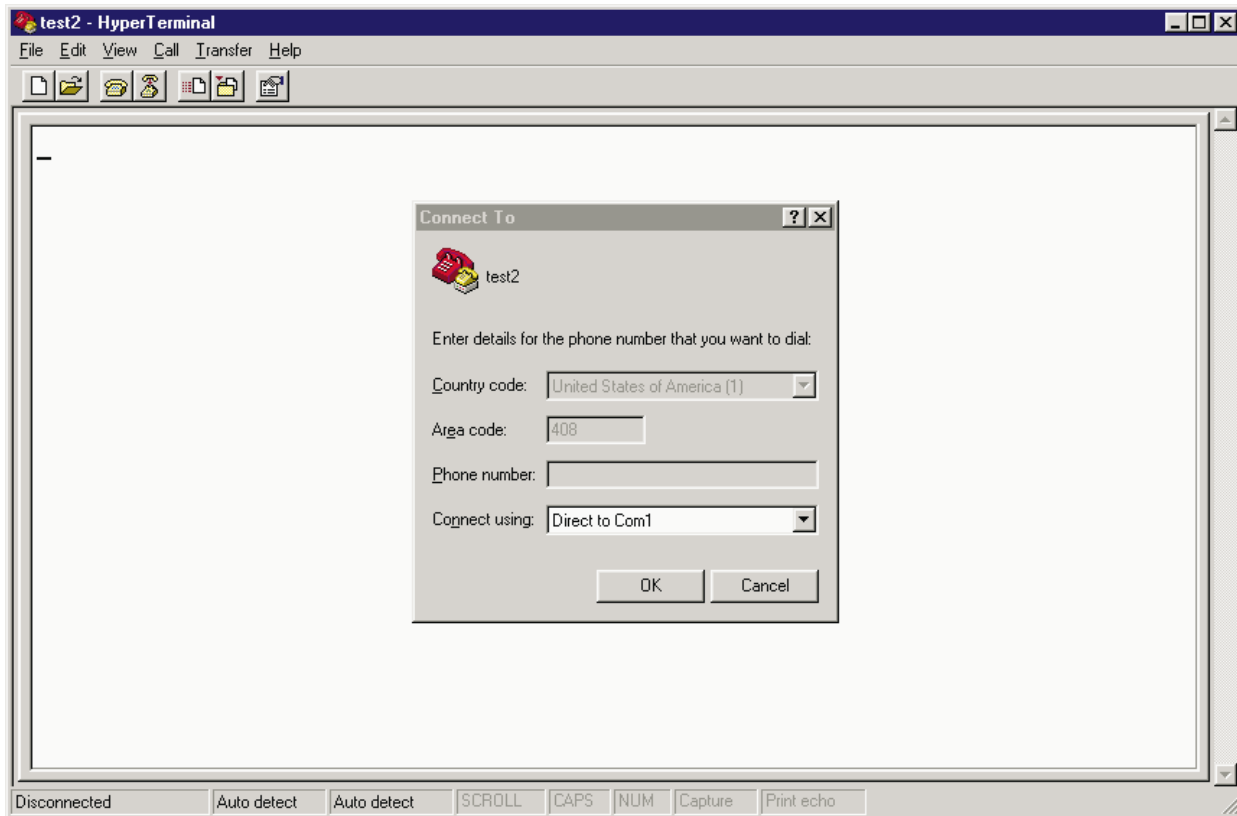
1. Verbinden Sie zuerst ihr Service-Terminal (PC oder Laptop) über das gelieferte serielle Kabel mit dem seriellen Anschluss mit dem 3534 Managed Hub; verbinden Sie dann den 3534 Managed Hub mit der Netzsteckdose.
2. Starten Sie eine HyperTerminal-Sitzung und konfigurieren Sie sie wie folgt:
  - a. Geben Sie im Fenster "Connection Description" (siehe Abb. 9) den Namen ein, den Sie für Ihre neue Sitzung verwenden möchten, wählen Sie ein Symbol aus dem Menü aus (siehe Abb. 9) und klicken Sie auf "OK".



SL08939P

Abbildung 9. Fenster "Connection Description"

- b. Das Fenster "Connect to" wird angezeigt (siehe Abb. 10). Ändern Sie in diesem Fenster die Einstellung "Connect using" von der Standardeinstellung auf "Direct to Com 1" und klicken Sie auf "OK".



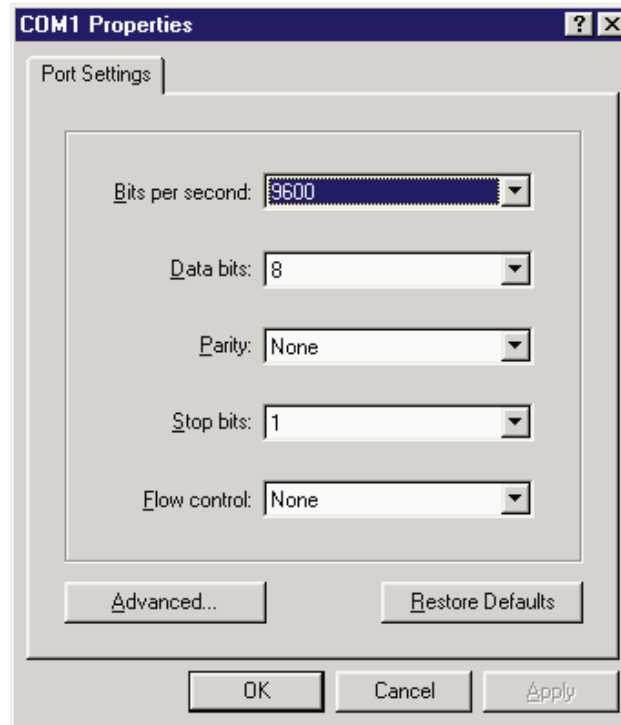
SL08940P

Abbildung 10. Fenster "Connect to"

- c. Das Fenster "COM 1 Properties" wird angezeigt (siehe Abb. 11). Geben Sie die folgenden Parameter im Register "Port Settings" ein:

Bits per second: 9600  
Data bits: 8  
Parity: None  
Stop bits: 1  
Flow control: None

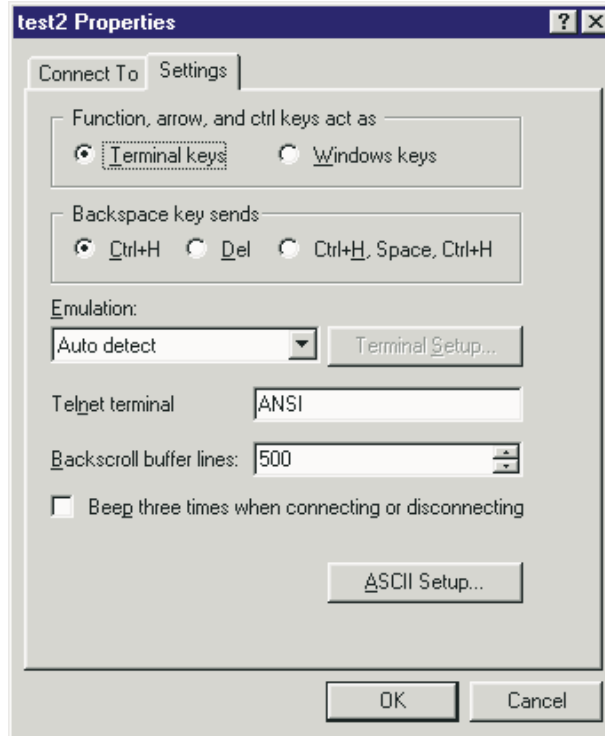
Klicken Sie anschließend auf "OK".



SL08936N

Abbildung 11. "COM1 Properties" - Fenster "Port Settings"

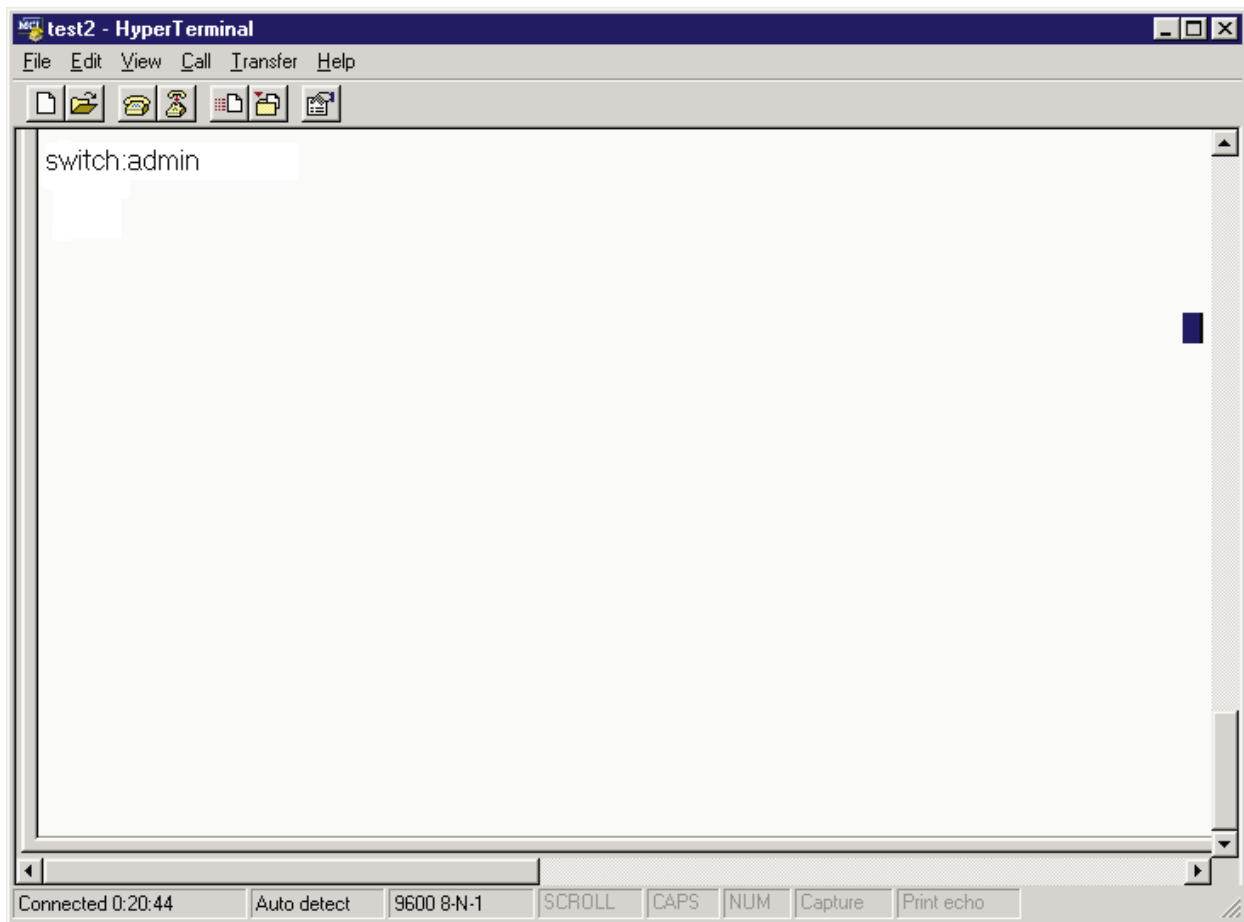
- d. Klicken Sie auf den Menüpunkt "File" und wählen Sie die Option "Properties" aus. Das Fenster "COM 1 Properties" wird angezeigt. Wählen Sie die Registerkarte "Settings" aus, wählen Sie im Listenfenster "Emulation" die Einstellung "autodetect" aus (siehe Abb. 12) und klicken Sie anschließend auf "OK".



SL08937N

Abbildung 12. Registerkarte "Settings" - Fenster "Emulation"

3. Initialisieren Sie den 3534 Managed Hub, indem Sie das Netzkabel in die Netzsteckdose stecken und etwas 2 Minuten warten, bis das Diagnoseprogramm beendet ist. Stellen Sie sicher, dass das Netzkabel fest in der Vorderseite des Gerätes verankert ist und das grüne LED-Signal leuchtet.
4. Drücken Sie die Eingabetaste Ihres Service-Terminals (PC oder Laptop).  
Der 3534 Managed Hub antwortet:  
Admin>  
Nun ist die HyperTerminal-Sitzung aktiv (siehe Abb. 13).



SL08934P

Abbildung 13. HyperTerminal-Sitzung

Geben Sie für jede Eingabeaufforderung die entsprechende Information wie angezeigt ein und drücken Sie anschließend die Eingabetaste.

a. Admin> ipAddrSet

Mit diesem Befehl wird die IP-Adresse eingestellt.

b. Ethernet IP address [Current ipaddress or None]: Neue IP-Adresse.

Hierbei handelt es sich um die neue, vom Systemadministrator vergebene Adresse.

c. Ethernet Subnetmask [Current subnet mask or None]: Neue Subnet-Maske eingeben oder die Eingabetaste drücken.

Hierbei handelt es sich um die neue Subnet-Maske des Systemadministrators.

d. Fibre Channel IP Address [None]: Eingabetaste drücken.

e. Fibre Channel Subnetmask [None]: Eingabetaste drücken.

f. Gateway Address [Current Gateway address or None]: Neue Gateway-Adresse eingeben oder die Eingabetaste drücken.

Hierbei handelt es sich um die neue Gateway-Adresse, die der Systemadministrator vergeben hat.

g. Admin> Logout

5. Durch diese Eingabe wird die Sitzung beendet. Die Installation des 3534 Managed Hub ist beendet. Entfernen Sie das Kabel aus der Buchse für den seriellen Anschluss. Zur Überprüfung der Fibre-Channel-Anschlüsse des 3534 Managed Hub vor der Übergabe des 3534 Managed Hub an den Systemadministrator siehe „Installation des 3534 Managed Hub prüfen“.

---

## Installation des 3534 Managed Hub prüfen

Gehen Sie wie folgt vor, um zu prüfen, ob der 3534 Managed Hub richtig installiert wurde:

1. Ziehen Sie den Netzstecker des 3534 Managed Hub heraus.

### Vorsicht

**Gerät nur an eine Schutzkontaktsteckdose mit ordnungsgemäß geerdetem Schutzkontakt anschließen. Bei nicht ordnungsgemäß angeschlossener Netzsteckdose können an offenliegenden Metallteilen des Systems oder an angeschlossenen Geräten gefährliche Berührungsspannungen auftreten. Für den ordnungsgemäßen Zustand der Steckdose ist der Betreiber verantwortlich. (72XXD201)**

2. Stecken Sie den Netzstecker des 3534 Managed Hub in die Netzsteckdose.
3. Prüfen Sie, ob die LED für Sendebereitschaft leuchtet.
4. Warten Sie 2 Minuten, bis das Diagnoseprogramm beendet ist.
5. Prüfen Sie, ob die LED für Sendebereitschaft leuchtet.
6. Stecken Sie nacheinander in jeden Anschluss den entsprechenden Teststecker (schwarz für kurze Wellenlänge und grau für lange Wellenlänge). Prüfen Sie, ob die jeweilige LED der einzelnen Anschlüsse langsam grün blinkt.  
Die Wellenlänge der Anschlüsse 0 bis 6 ist kurz. Wenn ein GBIC installiert ist, kann die Wellenlänge von Anschluss 7 entweder kurz oder lang sein.
7. Schlägt die Überprüfung in einem dieser Punkte fehl, beachten Sie bitte den Abschnitt "Problem determination" im Handbuch *IBM 3534 SAN Fibre Channel Managed Hub Managed Hub Installation and Service Guide*, SY27-7616. Andernfalls können Sie nun dem Systemadministrator den 3534 Managed Hub übergeben.

---

## Firmware herunterladen

Der 3534 Managed Hub wird mit der jeweils aktuellsten Code-Ebene (Firmware) ausgeliefert. Es wird jedoch immer wieder neuer Code freigegeben, den sie problemlos auf den 3534 Managed Hub herunterladen können. Dazu müssen Sie Daten und ausführbare Software auf Ihrem Server speichern.

Den aktuellsten Code finden Sie auf der Web-Site zum SAN Fibre Channel 3534 Managed Hub:

<http://www.ibm.com/storage/fchub>

Auf dieser Site finden Sie Anweisungen, wie Sie die Firmware herunterladen und auf den 3534 Managed Hub laden können. Neuer Code kann geladen werden, ohne dass die Aktivität des 3534 Managed Hub unterbrochen werden muss. Um den neuen Code jedoch nutzen zu können, müssen Sie den 3534 Managed Hub neu starten.

## Prozedur zum Upgrade der Firmware

Sie können die Firmware zum 3534 Managed Hub entweder von einem UNIX<sup>®</sup>-Host oder einem Windows-Host herunterladen. Bei einem UNIX-Host wird keine zusätzliche Software benötigt. Bei einem Windows-Host benötigen Sie den Dämon, um eine ferne Shell (RSH) mit der Firmware zu unterstützen. Diesen Dämon erhalten Sie auf der Web-Site zum Fibre Channel 3534 Managed Hub. Das Herunterladen der Firmware erfolgt über den RPC-Befehl, der auf der TCP-Ebene zwischen dem 3534 Managed Hub und dem Host ausgeführt wird.

### Firmware von einem UNIX-Host herunterladen

1. Laden Sie die Firmware von der Web-Site zum SAN Fibre Channel 3534 Managed Hub herunter. Merken Sie sich das Verzeichnis, in dem Sie den Code speichern.

Code kann nur über den Ethernet-LAN-Anschluss auf den 3534 Managed Hub geladen werden.

2. Starten Sie eine Telnet-Sitzung von einem ans LAN angeschlossenen Server, der mit dem 3534 Managed Hub verbunden ist, zum 3534 Managed Hub.

Das Befehlsformat lautet:

```
telnet [IP-Adresse des Managed Hub]
```

3. Melden Sie sich als "admin" an.

```
login: admin
```

4. Password: password

Geben Sie auf die Eingabeaufforderung für das Kennwort hin das aktuelle Kennwort für den Administrator ein. Der 3534 Managed Hub wird mit dem Standardkennwort "password" ausgeliefert.

5. Geben Sie den folgenden Befehl ein:

```
firmwareDownload ["Hostname/IP-Adresse"], ["Benutzername"], ["Dateiname"]
```

Zum Beispiel: `firmwareDownload "192.111.2.1", "timm", "/tmp/os/v2.1.3"`

**Anmerkung:** Der Host-Name kann der Host-Name selbst oder die IP-Adresse des Host sein; der Benutzername ist ein gültiger Host-Benutzername; der Dateiname ist der Pfad zu der neuen Firmware-Datei.

Der RSH-Server wertet die Angaben des Benutzers aus und überträgt die Datei zum 3534 Managed Hub, wo sie im FLASH-Speicher gespeichert wird.

### Vorsicht

**Gerät nur an eine Schutzkontaktsteckdose mit ordnungsgemäß geerdetem Schutzkontakt anschließen. Bei nicht ordnungsgemäß angeschlossener Netzsteckdose können an offenliegenden Metallteilen des Systems oder an angeschlossenen Geräten gefährliche Berührungsspannungen auftreten. Für den ordnungsgemäßen Zustand der Steckdose ist der Betreiber verantwortlich. (72XXD201)**

6. Ziehen Sie den Netzstecker des 3534 Managed Hub heraus und stecken Sie ihn anschließend wieder in die Netzsteckdose, um die neue Firmware zu initialisieren.

### Firmware von einem Windows-Host herunterladen

1. Laden Sie die Firmware von der Web-Site zum SAN Fibre Channel 3534 Managed Hub herunter. Merken Sie sich das Verzeichnis, in dem Sie den Code speichern.
2. Laden Sie die beiden Dienstprogramme (rshd.exe and cat.exe) von der Web-Site in das gleiche Verzeichnis wie die Firmware herunter.
3. Geben Sie in einem DOS-Eingabefenster den Befehl "rshd" ein, um den RSH-Dämon auszuführen .  
Die Datei cat.exe muss nicht ausgeführt werden; dieser Vorgang erfolgt automatisch.
4. Im Folgenden gelten die Anweisungen aus dem Abschnitt „Firmware von einem UNIX-Host herunterladen“ auf Seite 19. Führen Sie sie von Schritt 2 auf Seite 19 bis Schritt 6 durch.

**Anmerkung:** Wenn Sie über den Befehl **firmwareDownload** Dateien auf einen 3534 Managed Hub herunterladen, müssen Sie die Adressierung für UNIX-Verzeichnisse (Schrägstrich/) und nicht die Adressierung für PC-Verzeichnisse (umgekehrter Schrägstrich\ ) verwenden, um die Position des Verzeichnisses im Befehl anzugeben. Z. B. wäre der Befehl **firmwareDownload** für das Herunterladen der Firmware über NT folgendermaßen zu schreiben:

```
firmwareDownload "192.111.2.1", "timm", "/tmp/os/v2.1.3".
```



---

## Bemerkungen und Marken

Hinweise auf IBM Produkte, Programme und Dienstleistungen in dieser Veröffentlichung bedeuten nicht, daß IBM diese in allen Ländern, in denen IBM vertreten ist, anbietet. Hinweise in dieser Veröffentlichung auf IBM Produkte oder Dienstleistungen bedeuten nicht, daß IBM diese in allen Ländern anbieten wird.

Hinweise auf IBM Lizenzprogramme oder andere IBM Produkte bedeuten nicht, daß nur Programme, Produkte oder Dienstleistungen von IBM verwendet werden können. Anstelle der IBM Produkte, Programme oder Dienstleistungen können auch andere ihnen äquivalente Produkte, Programme oder Dienstleistungen verwendet werden, solange diese keine gewerblichen oder anderen Schutzrechte der IBM verletzen. Die Verantwortung für den Betrieb der Produkte, Programme oder Dienstleistungen in Verbindung mit Fremdprodukten und Fremddienstleistungen liegt beim Kunden, soweit solche Verbindungen nicht ausdrücklich von IBM bestätigt sind.

Für in diesem Handbuch beschriebene Erzeugnisse und Verfahren kann es IBM Patente oder Patentanmeldungen geben. Mit der Auslieferung dieses Handbuchs ist keine Lizenzierung dieser Patente verbunden. Lizenzanfragen sind schriftlich an IBM Europe, Director of Licensing, 92066 Paris La Defense Cedex, France, zu richten. Anfragen an obige Adresse müssen auf englisch formuliert werden.



---

## Marken

Folgende Namen sind in gewissen Ländern Marken der International Business Machines Corporation:

- IBM
- IBM 3534 Managed Hub
- StorWatch
- Netfinity

Java und alle auf Java basierenden Marken sind in gewissen Ländern Marken von Sun Microsystems, Inc.

Microsoft, Windows 98 und Windows NT sind in gewissen Ländern eingetragene Marken der Microsoft Corporation.

UNIX ist in gewissen Ländern eine eingetragene Marke von The Open Group.

Andere Namen von Unternehmen, Produkten und Dienstleistungen können Marken oder Dienstleistungsmarken anderer Unternehmen sein.

HyperTerminal ist eine Marke von Hilgraeve Inc.



---

# Hinweise zur elektromagnetischen Verträglichkeit

---

## Hinweise für Deutschland

Zulassungsbescheinigung laut Gesetz über die elektromagnetische Verträglichkeit von Geräten (EMVG) vom 30. August 1995.

Dieses Gerät ist berechtigt, in Übereinstimmung mit dem deutschen EMVG das EG-Konformitätszeichen - CE - zu führen.

Der Aussteller der Konformitätserklärung ist die IBM Deutschland.

Informationen in Hinsicht EMVG Paragraph 3 Abs. (2) 2:

Das Gerät erfüllt die Schutzanforderungen nach EN 50082-1 und EN 55022 Klasse A.

EN 55022 Klasse A Geräte bedürfen folgender Hinweise:

Nach dem EMVG:

“Geräte dürfen an Orten, für die sie nicht ausreichend entstört sind, nur mit besonderer Genehmigung des Bundesministeriums für Post und Telekommunikation oder des Bundesamtes für Post und Telekommunikation betrieben werden. Die Genehmigung wird erteilt, wenn keine elektromagnetischen Störungen zu erwarten sind.”  
(Auszug aus dem EMVG, Paragraph 3, Abs.4)

Dieses Genehmigungsverfahren ist nach Paragraph 9 EMVG in Verbindung mit der entsprechenden Kostenverordnung (Amtsblatt 14/93) kostenpflichtig.

Nach der EN 55022:

“Dies ist eine Einrichtung der Klasse A. Diese Einrichtung kann im Wohnbereich Funkstörungen verursachen. In diesem Fall kann vom Betreiber verlangt werden, angemessene Massnahmen durchzuführen und dafür aufzukommen.”

Anmerkung:

Um die Einhaltung des EMVG sicherzustellen, sind die Geräte wie in den Handbüchern angegeben zu installieren und zu betreiben.



---

# Index

## Numerische Stichwörter

3534 Managed Hub, Installation prüfen 18  
3534 Managed Hub installieren 1  
9306 Netfinity Gehäuse 6

## A

Adresse, Standard-IP-Adresse 10  
Allgemeine Einschränkungen viii  
Anweisungen, Installation 3

## B

Bemerkungen zum Produkt 21

## D

Dämon, RSH 20  
Desktop-Installation 3

## E

Einschränkungen, allgemeine viii  
Einschränkungen in der Verwendung viii  
Einstellen, Namen des Managed Hub 11  
Einstellen der IP-Adresse 10  
Elektromagnetische Verträglichkeit, Hinweise 25  
Erforderliche Werkzeuge 4  
Ersatz, Teile 3  
Ersatzteile 3  
Ethernet 10  
Ethernet-Anschluss, IP-Adresse einstellen über den 11  
Externe Maschinenüberprüfung vii

## F

Fehlende Teile 3  
Firmware, Prozedur zum Upgrade 19  
Firmware herunterladen 19  
Firmware von einem UNIX-Host herunterladen 19  
Firmware von einem Windows-Host herunterladen 20  
Flush-Mount-Türen, Gehäuse mit 6

## G

GBIC installieren 9  
Gehäuse, 9306 Netfinity 6  
Gehäuse für Netfinity-Server, 9306 6  
Gehäuse mit Flush-Mount-Türen 6

## H

Handbuch, Zielgruppe ix  
Herunterladen von Firmware 19  
Hinweis zur Wiederverwertbarkeit viii  
Hinweise, Batterien Sicherheit viii  
Hinweise, Sicherheit und Umwelt vii

Hinweise zu Sicherheit, übersetzt vii  
Host-Busadapter, unterstützte 1  
Hub, 3534 Managed Hub installieren 1  
HyperTerminal 13

## I

Informationen zu diesem Handbuch ix  
Installation, Desktop 3  
Installation, Gehäuse 3  
Installation des 3534 Managed Hub, prüfen 18  
Installation des 3534 Managed Hub prüfen 18  
Installation GBIC 9  
Installation im Gehäuse 3  
Installationsanweisung 3  
IP-Adresse, Standard 10  
IP-Adresse einstellen 10  
IP-Adresse über den Ethernet-Anschluss einstellen 11  
IP-Adresse über den seriellen Anschluss einstellen 13

## L

Lasersicherheit viii

## M

Managed Hub, Installation prüfen 18  
Managed Hub, Namen einstellen 11  
Managed Hub installieren 1  
Marken 23  
Maschinenüberprüfung, extern vii

## N

Namen des Managed Hub einstellen 11

## P

Plattformen, unterstützte 1  
Prozedur zum Upgrade der Firmware 19  
Prüfen, Installation des 3534 Managed Hub 18  
Prüfliste: Installationsvorbereitungen von Kunden-  
seite 1  
Prüfliste, Kundenseite Installationsvorbereitungen 1  
Prüfliste der Installationsvorbereitungen, Kunden-  
seite 1

## R

Referenzliteratur ix  
RSH-Dämon 20

## S

Serieller Anschluss, IP-Adresse einstellen über den 13  
Sicherheit, Laser viii  
Sicherheits- und Umwelthinweise vii

Sicherheitshinweise, Batterien viii  
Sicherheitshinweise, übersetzte vii  
Sicherheitshinweise zu Batterien viii  
Sicherheitsüberprüfung vii  
Standard-IP-Adresse 10  
StorWatch Specialist 10, 11  
Stromversorgung unterbrechen vii  
Subnet-Maske 11

## **T**

Teile, fehlende 3  
Telnet 10

## **U**

Überprüfung, externe Maschinenüberprüfung vii  
Überprüfung, Sicherheit vii  
Übersetzte Sicherheitshinweise vii  
Umwelthinweise, Sicherheit und vii  
UNIX-Host, Herunterladen der Firmware 19  
Unterbrechung der Stromversorgung vii  
Unterstützte Busadapter 1  
Unterstützte Plattformen 1

## **V**

Verwendung, Einschränkungen viii

## **W**

Websites ix  
Werkzeuge, erforderliche 4  
Wiederverwertbarkeit viii  
Windows-Host, Herunterladen der Firmware 20

## **Z**

Zielgruppe ix



---

# Antwort

## IBM 3534 SAN Fibre Channel Managed Hub Installationshandbuch

IBM Form SY12-8169-00

Anregungen zur Verbesserung und Ergänzung dieser Veröffentlichung nehmen wir gerne entgegen. Bitte informieren Sie uns über Fehler, ungenaue Darstellungen oder andere Mängel.

Zur Klärung technischer Fragen sowie zu Liefermöglichkeiten und Preisen wenden Sie sich bitte entweder an Ihre IBM Geschäftsstelle, Ihren IBM Geschäftspartner oder Ihren Händler.

**Unsere Telefonauskunft "HALLO IBM" (Telefonnr.: 01803/31 32 33) steht Ihnen ebenfalls zur Klärung allgemeiner Fragen zur Verfügung.**

Kommentare:

Danke für Ihre Bemühungen.

Sie können ihre Kommentare betr. dieser Veröffentlichung wie folgt senden:

- Als Brief an die Postanschrift auf der Rückseite dieses Formulars
- Als E-Mail an die folgende Adresse: [comment@tcvm.vnet.ibm.com](mailto:comment@tcvm.vnet.ibm.com)

\_\_\_\_\_

Name

\_\_\_\_\_

Adresse

\_\_\_\_\_

Firma oder Organisation

\_\_\_\_\_

Rufnummer

\_\_\_\_\_

E-Mail-Adresse

**Antwort**  
SY12-8169-00



IBM Deutschland GmbH  
SW NLS Center

70548 Stuttgart





SY12-8169-00



---

## Part 4. Japan

This part contains the Japanese translation of the *IBM 3534 SAN Fibre Channel Managed Hub, Translations for Installing the Managed Hub*.



IBM 3534 SAN ファイバー・チャンネル  
マネジド・ハブ



マネジド・ハブのインストール

お願い

本書および本書がサポートする製品をご使用になる前に、viiページの『安全に正しくお使いいただくために』および 21ページの『特記事項』を必ずお読みください。

本マニュアルに関するご意見やご感想は、次の URL からお送りください。今後の参考にさせていただきます。

<http://www.ibm.com/jp/manuals/main/mail.html>

なお、日本 IBM 発行のマニュアルはインターネット経由でもご購入いただけます。詳しくは

<http://www.ibm.com/jp/manuals/> の「ご注文について」をご覧ください。

(URL は、変更になる場合があります)

原 典： SY27-7621-00  
IBM 3534 SAN Fibre Channel Managed Hub  
Translations for Installing the Managed Hub

発 行： 日本アイ・ビー・エム株式会社

担 当： ナショナル・ランゲージ・サポート

第1刷 2000.7

この文書では、平成明朝体™W3、平成明朝体™W9、平成角ゴシック体™W3、平成角ゴシック体™W5、および平成角ゴシック体™W7を使用しています。この(書体\*)は、(財)日本規格協会と使用契約を締結し使用しているものです。フォントとして無断複製することは禁止されています。

注\* 平成明朝体™W3、平成明朝体™W9、平成角ゴシック体™W3、  
平成角ゴシック体™W5、平成角ゴシック体™W7

© Copyright International Business Machines Corporation 2000. All rights reserved.

Translation: © Copyright IBM Japan 2000



# 目次

図 . . . . .	v
安全に正しくお使いいただくために . . . . .	vii
絵表示について . . . . .	vii
安全上の注記 . . . . .	ix
安全上の検査 . . . . .	ix
AC 電源の取り外し . . . . .	ix
外部マシン・チェック . . . . .	ix
バッテリーの注記 . . . . .	x
製品のリサイクル . . . . .	x
レーザーの安全 . . . . .	x
一般的な制約事項 . . . . .	x
使用の制約事項 . . . . .	xi
本書について . . . . .	xiii
本書の対象者 . . . . .	xiii
関連資料 . . . . .	xiii
Web サイト . . . . .	xiii
<b>3534 マネジド・ハブの取り付け</b> . . . . .	1
お客様の事前取り付け作業チェックリスト . . . . .	1
取り付け手順 . . . . .	3
デスクトップへの取り付け . . . . .	3
ラック・マウントへの取り付け . . . . .	3
GBIC の取り付け . . . . .	8
IP アドレスの設定 . . . . .	9
マネジド・ハブ名の設定 . . . . .	9
イーサネット・ポートを使用する IP アドレスの設定 . . . . .	10
シリアル・ポートを使用する IP アドレスの設定 . . . . .	11
3534 マネジド・ハブの取り付けの検査 . . . . .	17
ファームウェアのダウンロード . . . . .	17
ファームウェアのアップグレード手順 . . . . .	18
特記事項 . . . . .	21
商標 . . . . .	21
電波障害自主規制への適合性 . . . . .	22
情報処理装置等電波障害自主規制協議会 (VCCI) 表示 . . . . .	22
IBM 機械コードのご使用条件 . . . . .	22
索引 . . . . .	25





1. スライドの移動 . . . . .	5
2. スライドの移動部分とロック耳を 3534 マネジド・ハブに取り付け . . . . .	6
3. レールの固定部分の取り付けとロック耳の締め付け . . . . .	7
4. スライドをラック・レールに挿入 . . . . .	7
5. GBIC ポートの位置 . . . . .	8
6. GBIC のフロントエンド . . . . .	8
7. 3534 マネジド・ハブ . . . . .	9
8. <b>switchName</b> コマンドの例 . . . . .	9
9. 「Connection Description (接続の設定)」ウィンドウ . . . . .	12
10. 「Connect to (接続)」ウィンドウ . . . . .	13
11. 「COM1 Properties (Com1 のプロパティ)」 - 「Port Settings (ポートの設定)」ウィンドウ . . . . .	14
12. 「Settings (設定)」 - 「Emulation (エミュレーション)」ウィンドウ . . . . .	15
13. HyperTerminal (ハイパーターミナル) セッション . . . . .	16





## 安全に正しくお使いいただくために

この製品を安全に正しくお使いいただくために、このマニュアルには安全表示が記述されています。このマニュアルを保管して、必要に応じて参照してください。

### 絵表示について

あなたとあなたの周りの人々の危害および財産への損害を未然に防止するために、このマニュアルおよびこの製品の安全表示では、以下の絵を表示しています。

 <b>危険</b>	この表示を無視して誤った取り扱いをすると、人が死亡または重傷を負う可能性がある危険が存在する内容を示しています。
 <b>注意</b>	この表示を無視して誤った取り扱いをすると、人が傷害を負う可能性が想定される内容または物的損害の発生が想定される内容を示しています。

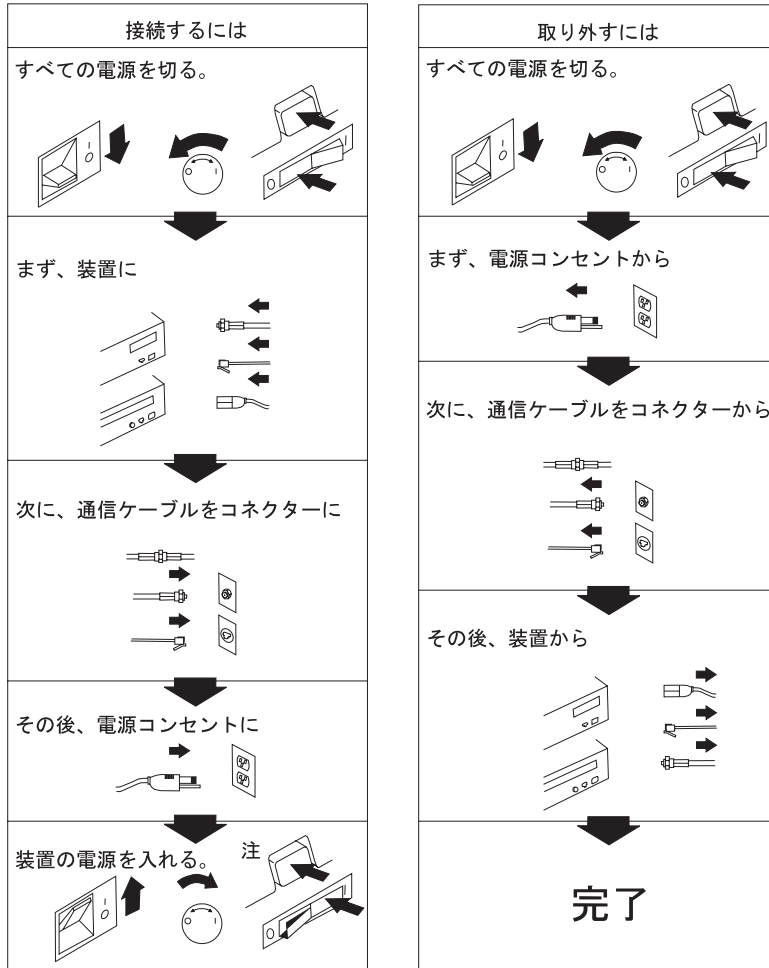
### 危険

- この製品を改造しないでください。火災、感電のおそれがあります。
- この製品の構成に電話ケーブル接続、通信ケーブル接続が含まれている場合、付近に雷が発生しているときは、それらのケーブルに触れないようにしてください。
- 電源プラグをコンセントに接続する前に、コンセントが正しく接地されており、正しい電圧であることを確認してください。
- 万一、発熱していたり、煙が出ている、へんな臭いがするなどの異常状態のまま使用すると、火災、感電のおそれがあります。すぐに電源を切り、電源プラグをコンセントから必ず抜いて、販売店または保守サービス会社にご連絡ください。
- 万一、異物（金属片、水、液体）が製品の内部に入ったときは、すぐに製品の電源を切り、電源プラグをコンセントから必ず抜いて、販売店または保守サービス会社にご連絡ください。そのまま使用すると火災、感電のおそれがあります。

# ⚠ 危険

- ケーブル類の取り付け、取り外し順序。

電源コード、電話ケーブル、および通信ケーブルからの電流は身体に危険を及ぼします。装置を設置、移動、または接続するときには、以下のようにケーブルの接続および取り外しを行ってください。また、電話回線、通信回線またはテレビのアンテナ線が接続されている製品は、雷の発生時には回線の接続または取り外しをしないでください。



## 注意

- 電源プラグを抜くときは、電源コードを引っ張らないでください。コードが傷つき、火災、感電の原因となることがあります。(必ずプラグを持って抜いてください。)
- 湿気やほこりの多い場所に置かないでください。火災、感電の原因となることがあります。
- 長時間使用しないときは、電源プラグを AC コンセントから抜いてください。

---

### 安全上の注記

本書に記載されている注記は、別の資料に記載されています。危険の注記は、*IBM External Devices Safety Information*、SA26-7003 を参照してください。

注記は数字の順に記載されているので、安全上の注意の資料の中で容易に見付けることができます。次の例では、ID 番号 (72XXD201) を探してください。

## 危険

電源コンセントに誤配線があると、システムまたはシステムに接続された製品の金属部分に危険な電圧が誘起されることがあります。感電を防止するためにコンセントが正しく配線されているようにするのは、お客様の責任です。 (72XXD201)

## 注意

注意の注記は、中度または軽度のけがを引き起こす可能性のある危険が存在することを示します。 (RSFTC228)

---

### 安全上の検査

次の安全上の検査を行い、安全でない状態を識別してください。この安全上の検査に含まれていない潜在的な安全上の危険に注意してください。安全でない状態が存在する場合は、危険の重大度、および問題を訂正しないで続行してよいかを判断してください。

### AC 電源の取り外し

AC 電源を取り外すには、次のステップを実行します。

1. 制御されたシステム・シャットダウンを実行します。
2. 電源から電源コードを切り離します。

### 外部マシン・チェック

次の外部マシン・チェックを実行します。

**重要:** IBM は、専門のサービス技術員にだけ、このマシンを開くことを許可しています。このマシンは工場で保守されるように設計されています。

1. すべての外部カバーが付いており、損傷していないことを検査します。
2. すべてのラッチとヒンジが正しい作動状態にあるか検査します。
3. 3534 マネジド・ハブがラック・キャビネット内に取り付けられていない場合は、足が緩んだり、破損していないか検査します。
4. 電源コードに損傷がないか検査します。
5. 外部信号ケーブルに損傷がないか検査します。
6. カバーに鋭いエッジ、損傷、またはデバイスの内部の部品がはみ出させるような改造がないか検査します。
7. 見つけた問題はすべて訂正します。

---

## バッテリーの注記

リチウム電池は、火災、爆発、または重度のやけどの原因となることがあります。再充電、分解、100°C を超える加熱、セルへの直接のはんだ付け、焼却、またはセルの中身を水につけることはしないでください。子供の手の届かないところに置いてください。ご使用のシステム用に指定されたパーツ番号とだけ交換してください。別のバッテリーを使用すると、火災または爆発が起きる危険があります。バッテリー・コネクタには、極性があります。極性を逆にしようとししないでください。バッテリーは、当該地域の関連法規に従って廃棄してください。

---

## 製品のリサイクル

この装置には、リサイクル可能な資材が使用されています。これらの資材は、処理場が使用可能なところでは、当該地域の関連法規に基づいてリサイクルする必要があります。IBM では、一部の地域において、製品が適切に処分されるようにするための製品回収プログラムを実施しています。詳しくは、IBM 営業担当員にお問い合わせください。

---

## レーザーの安全

この装置には、クラス 1 のレーザー製品である単一モードまたはマルチモードのトランシーバーが取り付けられていることがあります。これらのトランシーバーは、IEC 825-1 および FDA 21 CFR 1040.10 と 1040.11 に準拠しています。トランシーバーは、推奨される操作条件のもとで操作する必要があります。

---

## 一般的な制約事項

この類別が有効となるのは、モジュールが指定された温度と電圧の範囲内で作動している場合に限られます。モジュールを使用するシステムは、電源が +3.3 V/+5 V で最大推奨動作限界またはそれ以上を検出された場合に、システムの電源が電力の供給を停止するようにする電源機構保護を取り付ける必要があります。モジュールの動作温度は、推奨動作限界内で示されている温度範囲にある必要があります。これらの限界は、レーザーの安全を保証します。



---

## 使用の制約事項

モジュールの光ポートは、光コネクタまたはダスト・プラグで終端する必要があります。



---

## 本書について

『IBM 3534 SAN ファイバー・チャンネル マネジド・ハブのインストール』には、IBM 3534 SAN ファイバー・チャンネル マネジド・ハブを取り付けるための手順が記載されています。これは、*IBM 3534 SAN Fibre Channel Managed Hub Managed Hub Installation and Service Guide*、SY27-7616 の “Chapter 2. Installing the 3534 Managed Hub” に当たります。

---

## 本書の対象者

本書の対象者は、次の方々です。

- IBM 3534 SAN ファイバー・チャンネル マネジド・ハブのハードウェア問題を解決および診断するための専門のサービス・サポート技術員 (SSR)。
- IBM 3534 SAN ファイバー・チャンネル マネジド・ハブの取り付けおよびセットアップ中のお客様。IBM 3534 SAN ファイバー・チャンネル マネジド・ハブは、カスタマー・セットアップ装置 (CSU) です。本書の取り付けの項を使用する前に、お客様のネットワークおよび適用可能なソフトウェアを保守する方法を知る必要があります。電気機器を使って安全に作業する方法も知る必要があります。

**重要:** 本書を通じて、スイッチという用語は、特に断りがない限り、スイッチおよびハブを指します。

**重要:** 本書を通じて、IBM StorWatch SAN Fibre Channel Managed Hub スペシャリストは、StorWatch スペシャリストと呼ばれます。

---

## 関連資料

3534 マネジド・ハブに関連する追加情報は、次の資料に記載されています。

- *IBM 3534 SAN Fibre Channel Managed Hub Managed Hub Installation and Service Guide*、SY27-7616
- *IBM 3534 SAN Fibre Channel Managed Hub User's Guide*、GC26-7391
- *IBM External Devices Safety Information*、SA26-7003
- *Electrical Safety for IBM Customer Engineers*、S229-8124

関連情報を提供することのある別の資料は、Fibre Channel Standards です。『Web サイト』を参照してください。

---

## Web サイト

ストレージ製品に関する追加情報は、次の Web サイトを閲覧してください。

<http://www.ibm.com/storage/fchub>

ファイバー・チャンネル標準に関する詳細情報は、Fibre Channel Association Web サイトをご覧ください。

<http://www.fibrechannel.com>



## 3534 マネジド・ハブの取り付け

**重要:** この章を通じて、スイッチという用語は、特に断りがない限り、スイッチおよびハブを指します。

### お客様の事前取り付け作業チェックリスト

3534 マネジド・ハブの取り付け作業を開始する前に、このチェックリストを検討することが重要です。3534 マネジド・ハブに接続したホスト・プラットフォームのために、一部のステップが異なる場合があります。3534 マネジド・ハブ用の IP アドレスを入手しておく必要があり、その他の取り付け活動を手配しておく必要があります。表1 は、事前取り付け作業チェックリストを示しています。

表1. お客様の事前取り付け作業チェックリスト

ステップ	お客様のアクションまたは決定	コメントおよび参照
1	<ul style="list-style-type: none"><li>デスクトップへの取り付け</li><li>ラック・マウントへの取り付け</li></ul>	3534 マネジド・ハブをデスクトップに取り付けるか、ラック・マウントにするかを決定します。
2	必須のホスト・プラットフォーム OS サービス・パックをインストールしておきます。たとえば、Windows NT® 4.0、サービス・パック (およびそれ以降)、および必要なホット修正。	サポートされているプラットフォームの現行リスト、必要なホスト・プラットフォーム・コード更新、およびそれらを手する方法については、次の Web サイトをご覧ください。  <a href="http://www.ibm.com/storage/fchub">http://www.ibm.com/storage/fchub</a>  または、IBM 技術サポートにお問い合わせください。
3	必要なファイバー・チャンネル・ホスト・バス・アダプター、HBA BIOS、およびデバイス・ドライバー。	サポートされている HBA のリストおよび必要な BIOS とデバイス・ドライバーについては、Web サイトを参照する必要があります。  <a href="http://www.ibm.com/storage/fchub">http://www.ibm.com/storage/fchub</a>
4	取り付けるディスクまたはテープ・システムは、互換性があるようにしてください。  デバイス・ドライバーがインストールまたは更新されます。	通常は、ターゲット・デバイスの取り付け時にサービス技術員によって行なわれます。  サポートされるシステムのリスト、および必要な BIOS およびデバイス・ドライバーについては、次の Web サイトを参照する必要があります。  <a href="http://www.ibm.com/storage/fchub">http://www.ibm.com/storage/fchub</a>

表 1. お客様の事前取り付け作業チェックリスト (続き)

5	<p>すべてのホスト・ファイバー・チャネル・ケーブルは、次のようになっています。</p> <ul style="list-style-type: none"> <li>• 製品と一緒に発注されたか、事前取り付けおよび検査済みです</li> <li>• ホスト・システム ID および 3534 マネジド・ハブ ID のラベルが付いています</li> </ul>	<p>ご使用の HBA に付属の HBA 仕様を参照し、必要なケーブル、ホスト・システム ID、および 3534 マネジド・ハブ ID を判別します。たとえば、使用する予定のポートまたはゾーンの位置にラベルを付けます。</p>
6	<p>次の 3534 マネジド・ハブのイーサネット・ポートの構成決定を決めます。</p> <p><b>重要:</b> 将来参照するために、この構成を保管しておいてください。</p> <ul style="list-style-type: none"> <li>• 静的 IP アドレス _____</li> <li>• ネットマスク (必要な場合) _____</li> </ul> <p>3534 マネジド・ハブがサーバー* と同じ TCP/IP サブネット上にない場合は、デフォルトのネットワーク・ゲートウェイ・アドレスまたは経路テーブル・エントリー、あるいはその両方を割り当てます。</p>	<p><b>重要:</b> 誤ったイーサネット・パラメーターを使用すると、イーサネット・ネットワークに問題が起きる場合があります。</p> <p>ネットワーク管理者から 3534 マネジド・ハブのイーサネット・パラメーターを入手します。</p>
7	<p>Telnet コマンド <b>switchName</b> を使用して、マネジド・ハブの名前を設定します。</p>	<p>マネジド・ハブの名前は、StorWatch™ スペシャリストを使用するホスト・システム上のインターネット・プロトコル (IP) アドレスに解決する必要があります。マネジド・ハブに接続するために Web ブラウザーで IP アドレスを使用しているときでもそのようにしてください。ネットワーク管理者は、マネジド・ハブの IP アドレスをドメイン・ネーム・サーバー (DNS) またはネットワーク情報サービス (NIS) に追加する必要があります。あるいは、ホスト・ファイルを使用してローカル名解決を実行することができます。これを行なわないと、マネジド・ハブを管理するために Web ブラウザーを使用しているときは、ローパフォーマンスになります。</p>
8	<p>イーサネット・ケーブルをサーバー* からネットワーク・ハブへ敷きます。</p>	
9	<p>イーサネット・ケーブルをネットワーク・ハブから 3534 マネジド・ハブが取り付けられる場所まで敷きます。</p>	<p>ありません</p>
<p>* ここで使用されている用語サーバー は、StorWatch SAN Fibre Channel Managed Hub スペシャリストに使用するコンピューターを指します。</p>		

---

## 取り付け手順

3534 マネジド・ハブは、ラック・マウント構成またはデスクトップ構成のどちらかに取り付けることができます。3534 マネジド・ハブと電源コードを取り付ける前に、デスクトップ設置用にデスクトップ・ラバー取り付け脚を取り付けるか、3534 マネジド・ハブをラック内に取り付けます。

**注:** パーツが足りない場合、パーツ交換のための電話番号は、次の Web サイトを参照してください。

<http://www.ibm.com/storage/fchub>

## デスクトップへの取り付け

3534 マネジド・ハブは、そのデスクトップ構成で出荷されます。粘着ラバー脚が同梱されています。ラバー脚を、3534 マネジド・ハブの底にある 4 つのくぼみに貼り付けます。ラバー脚を貼り付けるには、次のことを行います。

1. 3534 マネジド・ハブをひっくり返して、上部を下にして置きます。
2. 4 つのくぼみのほこりをふき取ってきれいにします。
3. 出荷キットと一緒に同梱されているシートからラバー脚をはがし、各くぼみに足を 1 つずつ置きます。
4. ラバー脚 4 つを指定されている位置にしっかりと押し付けます。
5. 3534 マネジド・ハブを通常の上向きの位置に戻し、あらかじめ決めてある使用位置に置きます。

## ラック・マウントへの取り付け

ラック・マウントへの取り付けを開始する前に、次の注意事項をお読みください。

**重要:** 内部ラックの周囲温度が 40°C を超えるか、空気の流れに障害のあるラックには取り付けしないでください。空気の流れは、装置の背面から前面に向かって流れます。ラックの前面または背面をふさがないでください。

**重要:** この装置がラック・マウントの場合は、この装置から出る光ファイバー・ケーブルがラックのドアや、いったん取り付けられたハードウェアにぶつからないようにしてください。

**注:** 9306 Netfinity<sup>®</sup> ラックなどの、フラッシュ・マウント・ドアの付いたラックの場合は、次のオプションがあります。

- この装置を使用して 3523 Netfinity Fibre Channel Hub と交換するには、ラバー脚を取り付けて (『デスクトップへの取り付け』を参照)、3523 を保持するラック・トレイの上に 3534 マネジド・ハブを置きます。
- ラック・マウント・スライドを使用して、3534 マネジド・ハブを、3 インチずつずれた取り付け穴に取り付けてラック内に収め、耳の取り付けをせずに済ませることができます。

## 危険

電源コンセントに誤配線があると、システムまたはシステムに接続された製品の金属部分に危険な電圧が誘起されることがあります。感電を防止するためにコンセントが正しく配線されているようにするのは、お客様の責任です。 (72XXD201)

この装置は、110 ～ 127 V AC の入力で 2 アンペアの電流、または 200 ～ 240 V AC の入力で 1 アンペアを必要とします。装置を電源回路に接続しているときに、回路に過負荷を加えても、使用している電源コードまたは過電流保護に障害が発生しないことを確認してください。

**重要:** ラック・マウントへの取り付けに必要なツールは、次のものがあります。

- 標準スロット付きねじ回し
- ナット・ドライバー (11/32 またはレンチ)

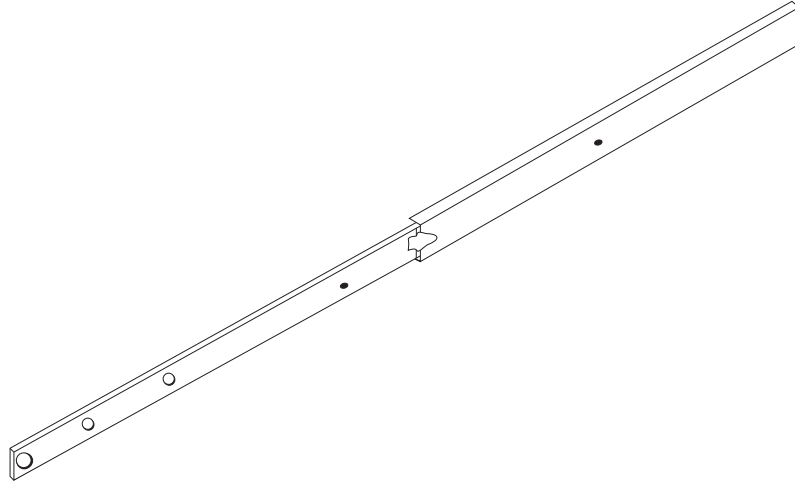
**重要:** ラック・マウントへの取り付けを開始する前に、次のことを行います。

- ステップ 1 ～ 8ページの4 のステップを読みます。
- 出荷コンテナに同梱されているラック・マウント・スライドと取り付けブラケット・パッケージを見付けます。

3534 マネジド・ハブは、EIA 標準 19 インチ・ラックに取り付けるよう設計されています。ラック・マウント構成内に 3534 マネジド・ハブを取り付けるには、次のことを行います。

1. 移動スライドおよびロック耳を 3534 マネジド・ハブに取り付けます。
  - a. 両方のスライドを見付け、それらを分解します。5ページの図1 に示されるように、スライドをいっぱい引き出し、リリースを押し、スライドを引いて取り外します。

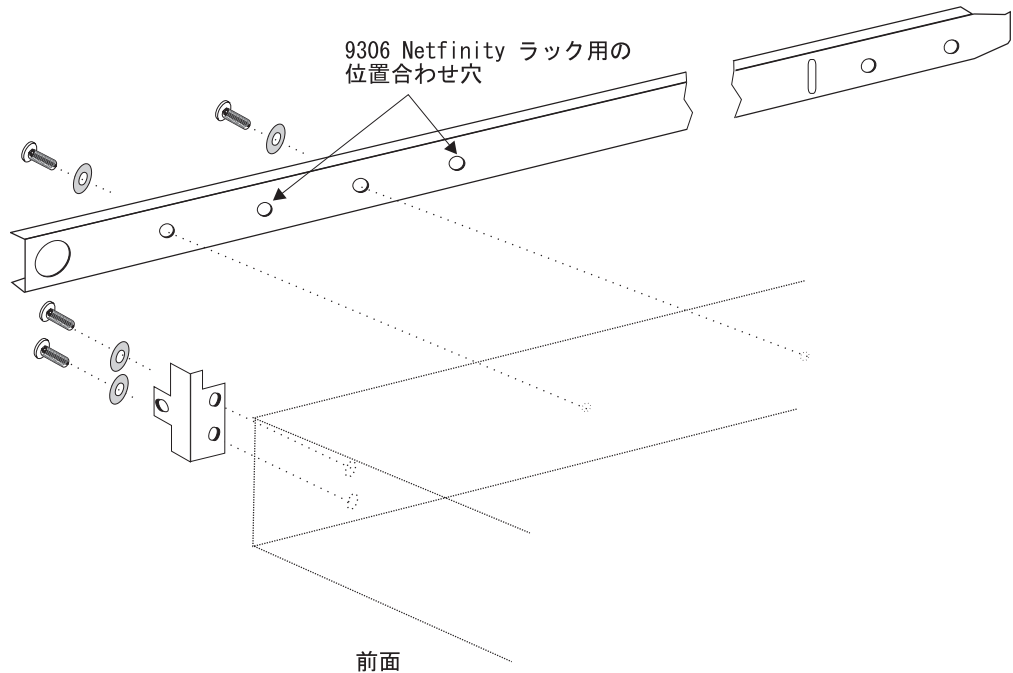




SL08933N

図1. スライドの移動

- 重要:** 9306 Netfinity ラックのように、フラッシュ・マウント・ドアが付いたラックの場合、ラック・マウント・スライドを使用して、3 インチずつずれた取り付け穴に 3534 マネジド・ハブを取り付けてラック内に収め、耳の取り付けをせずに済ませることができます。
- b. 6ページの図2 に示されるように、スライドの移動部分とロック耳を 3534 マネジド・ハブに取り付けます。小さな袋に入った取り付け耳と一緒に付いてきたねじを使用します。まず、スライドの移動部分を先に取り付け、次にロック耳を取り付けます。



SL08914N

図2. スライドの移動部分とロック耳を 3534 マネジド・ハブに取り付け

2. ラック内でスライドの固定部分を取り付けます。

- a. ラック取り付けブラケット・キットを開き、ブラケットをスライド (4 つあります) の幅が広い方の固定部分に取り付けます。スライドの固定部分の各端にブラケットを 1 つ取り付けます。背面ブラケットの取り付けねじは、指で締まるまで締めておくだけにします。取り付けねじは、3534 マネジド・ハブが取り付けられた後に締め付けます。前面のブラケットは、外側の固定されたスライド・メンバーの端の前にブラケットが約 15 mm 残るように締める必要があります。これにより、ロック耳を取り付けるスペースができます。

**重要:** ブラケットは、ラック内で 3534 マネジド・ハブが平らに座るように取り付けするようにします。ラック取り付けブラケット上でねじ 4 本を緩め、位置合わせを検査し、必要に応じて締め直すことにより、位置合わせを調整する必要があります。

- b. ラック取り付けクリップおよび提供されている長い方のねじを使用して、スライドの固定部分をラック内の垂直の取り付けバーに取り付けます。7ページの図3 を参照してください。ラック・クリップ 3 つをラックの前面と背面に取り付けます。前面の中央のラック・クリップは、耳のロック用です。

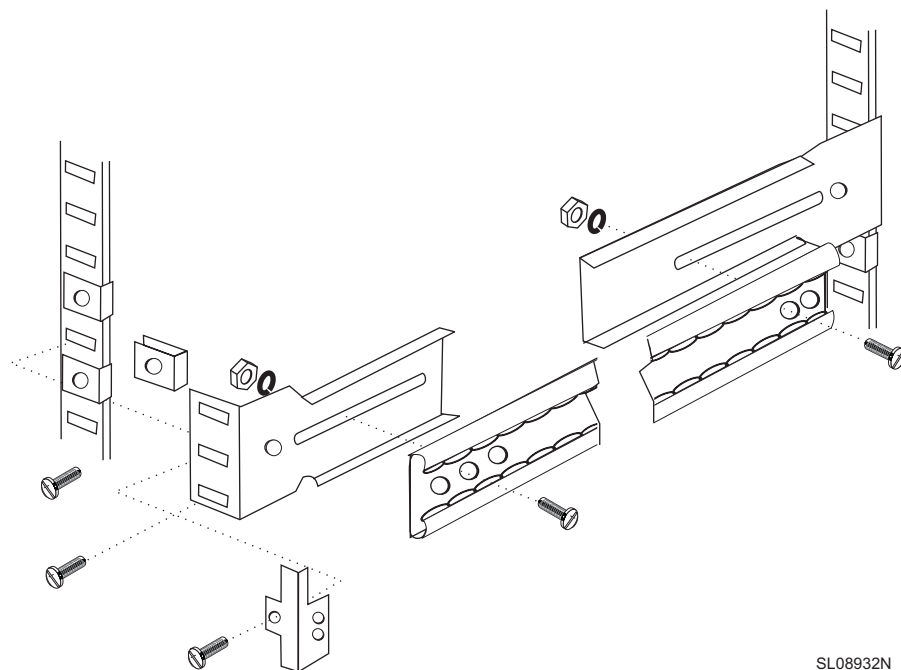


図3. レールの固定部分の取り付けとロック耳の締め付け

3. 3534 マネジド・ハブとスライドの移動部分をラック上のスライドの固定部分に挿入します。
  - a. 図4 に示されるように、3534 マネジド・ハブを持ち上げ、3534 マネジド・ハブに取り付けられているレールの部分を、ラック内に取り付けられている受け入れ側のレール・メンバーと突き合わせます。3534 マネジド・ハブをラックに最後まで押し込みます。

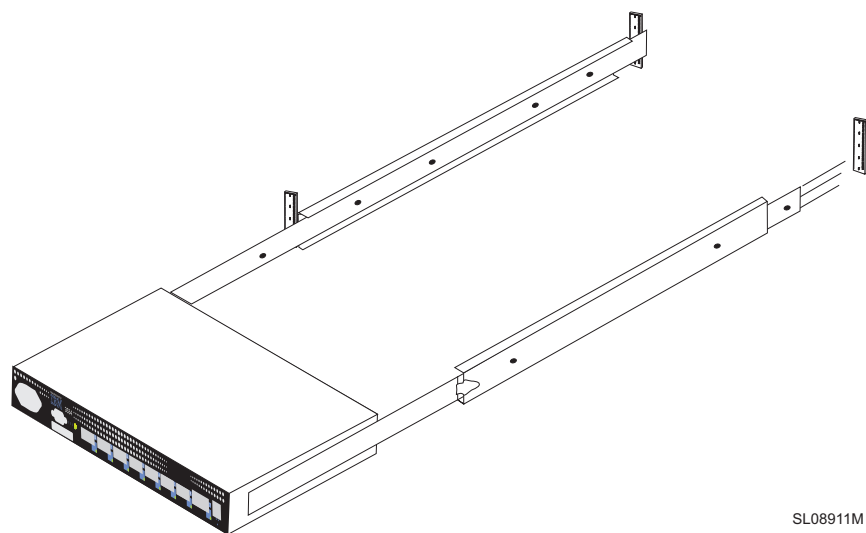


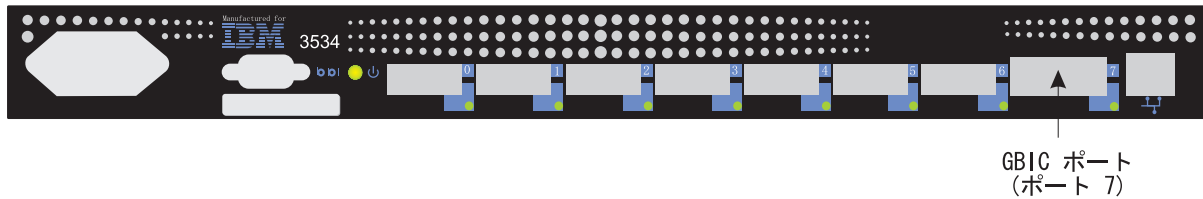
図4. スライドをラック・レールに挿入

- b. 3534 マネジド・ハブをレールの上で数回出し入れし、楽に移動することを確認します。3534 マネジド・ハブを少しだけ手前に引き出し、6ページの2aのステップで指で締めておいた後部ブラケット上の取り付けねじを締め付けます。
4. 3534 マネジド・ハブをラック内に完全に押し戻します。ロック耳と一緒に付いてきた残りのねじを使用して、3534 マネジド・ハブをラック内に固定します。7ページの図3 を参照してください。

これで、ラック・マウントへの取り付けは完了しました。

## GBIC の取り付け

図5 に示されるように、3534 マネジド・ハブには、固定光ファイバー・ポート 7 つとプラグ可能な GBIC ポートが 1 つ付いています。



SL08909L

図5. GBIC ポートの位置

図6 は、ダスト保護ラバー・プラグが取り外された状態の GBIC の前面を示しています。プラグは、ファイバー・チャンネル・ケーブルが挿入されるまで、GBIC 内に挿入したままにしておく必要があります。GBIC の他端は、3534 マネジド・ハブに挿入されます。



SL08995M

図6. GBIC のフロントエンド

## IP アドレスの設定

IP アドレスは、シリアル・ポートまたはイーサネット・ポートを介して設定できます。可能な場合は、シリアル・ポートを介して IP アドレスを設定するのが、お勧めできる方法です。

3534 マネジド・ハブは、デフォルトの IP アドレス (10.77.77.77) が事前設定された状態で工場から出荷されます。この IP アドレスは、3534 マネジド・ハブの前面上部のエッジにあるラベルに印刷されています。このアドレスは、外部イーサネット接続用です。

できれば、このデフォルト・アドレスを使用して、ローカル・エリア・ネットワーク (LAN) に接続し、3534 マネジド・ハブへのネットワーク接続を確立します。3534 マネジド・ハブ上のイーサネット・ポートとシリアル・ポートの位置については、図7 を参照してください。この IP アドレスは後で、同じ LAN にアクセスしている任意のサーバーから出される Telnet コマンドまたは StorWatch スペシャリストを使用して変更することができます。これは、IP アドレスを設定するための最も簡単な方法です。デフォルト・アドレスを使用できるかどうかシステム管理者に問い合わせる必要があります。

デフォルトの IP アドレスを使用できない場合は、イーサネット・ポートまたはシリアル・ポートを使って IP アドレスを設定する必要があります。事前取り付けチェックリストに記載されたシステム管理者によって提供される情報を使用して IP アドレスを設定します。

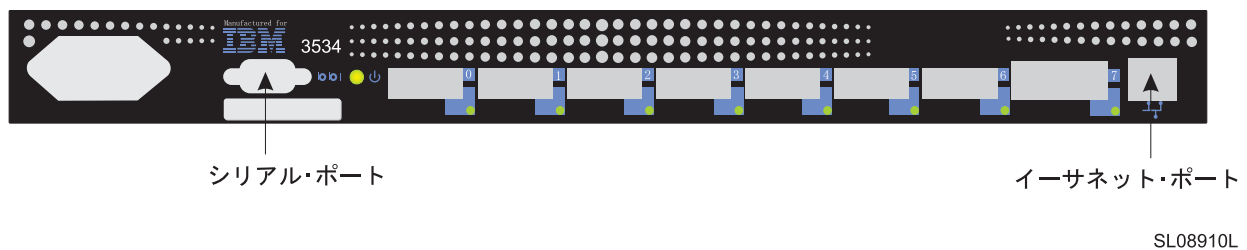


図7. 3534 マネジド・ハブ

## マネジド・ハブ名の設定

図8 は、3543 マネジド・ハブの名前を設定する **switchName** コマンドを示しています。マネジド・ハブの新しい名前は、示されているように引用符で囲む必要があります。コマンド構文は、次のとおりです。

```
switchName "new_name_of_hub"
```

```
switch:admin> switchName "sw3"  
Updating flash...
```

図8. **switchName** コマンドの例

StorWatch スペシャリストを使用して、Web ブラウザーを経由してマネジド・ハブに接続しようとしている場合、このステップは重要です。この名前は、StorWatch スペシャリストを介してマネジド・ハブに接続して使用しているクライアント・シス

テム上でネットワーク管理者が割り当てた IP アドレスで解決する必要があります。これを行わないと、マネジド・ハブを管理するために Web ブラウザーを使用しているときは、ローパフォーマンスになります。

**注:** このコマンドは、管理レベルのユーザーにしか使えません。

3534 マネジド・ハブ名の長さや形式には、特定の制約事項が適用されます。

## イーサネット・ポートを使用する IP アドレスの設定

イーサネット・ポートを使用して IP アドレスを設定しようとする前に、システム管理者は、3534 マネジド・ハブと同じサブネット上のホストを使用する必要があります。2 次アドレスは、10.77.77.1 (または 3534 マネジド・ハブのアドレス以外の類似の未割り当てで使用可能なアドレス) に設定し、マスクを 255.255.255.0 にする必要があります。

この方法が使用できない場合は、11ページの『シリアル・ポートを使用する IP アドレスの設定』に進みます。

1. LAN を 3534 マネジド・ハブの前面パネルに接続するには、既存のイーサネット 10/100BaseT LAN ケーブルのプラグを 3534 マネジド・ハブの前面の RJ-45 コネクタに差し込みます。
2. 3534 マネジド・ハブのプラグを電源コンセントに差し込み、マネジド・ハブの電源を入れます。電源コードが装置の前面に完全に差し込まれ、緑色の作動可能 LED がオンになっていることを確認します。診断プログラムが完了するまで 2 分間待ちます。
3. LAN に接続したサーバーから、Telnet IP アドレスを入力します。これが最初の取り付けである場合は、3534 マネジド・ハブの左上隅のラベルに記載されたデフォルトの IP アドレスを使用します。ラベルの IP アドレスを使用する前に 3534 マネジド・ハブが取り付けられている場合は、ラベルからの現行のアドレスを引き続き使用します。ラベルにある IP アドレスが使用されなかった場合は、システム管理者から現行の IP アドレスを入手する必要があります。

3534 マネジド・ハブは、下記に示されているように応答します。各プロンプトごとに、示されているように情報を入力し、Enter キーを押します。

- a. Login: admin

3534 マネジド・ハブは、デフォルトの管理者名としてこれを設定して出荷されます。

- b. Password: password

これはデフォルトのパスワードです。パスワードは、入力するときに表示されません。

- c. Ippaddress:admin> ipAddrSet

これは IP アドレスを設定するためのコマンドです。

- d. Ethernet IP address [current address will be shown]: new IP address.

これはシステム管理者から入手した新規アドレスです。

- e. Ethernet Subnetmask [Current sub net mask will be shown or None]: new Subnetmask or press Enter.

これはシステム管理者から入手した新規のサブネット・マスクです。入力する必要がない場合は、Enter キーを押します。

- f. Fibre Channel IP Address [None]: press Enter.  
Fibre Channel Subnetmask [None]: press Enter.
  - g. Gateway Address [Current Gateway address or None]: enter new Gateway address or press Enter.  
これは、システム管理者が指定したゲートウェイ・アドレスです。何も必要としない場合は、Enter キーを押します。
  - h. Ippaddress:admin> logout
4. これで Telnet セッションは終了します。3534 マネジド・ハブの取り付けが完了しました。3534 マネジド・ハブのファイバー・チャンネル・ポートを検査するには、17ページの『3534 マネジド・ハブの取り付けの検査』を参照してください。

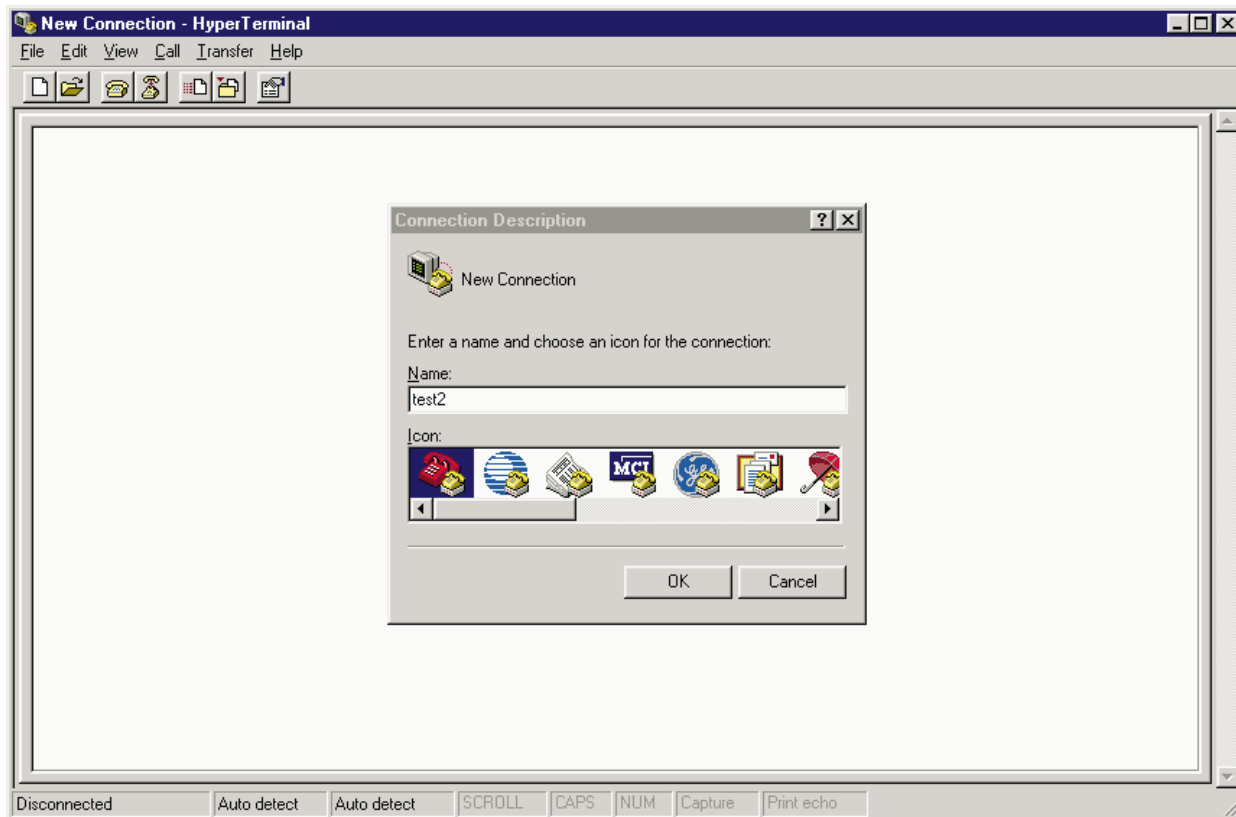
## シリアル・ポートを使用する IP アドレスの設定

**重要:** HyperTerminal (ハイパーターミナル) セッションの開始は、どのバージョンの Windows<sup>®</sup> を使用しているかに応じて異なります。次の手順は、Windows<sup>®</sup> 98 を稼動するラップトップ・コンピューターの使用に基づいています。HyperTerminal (ハイパーターミナル) セッションを開始するには、Start (スタート) => Programs (プログラム) => Accessories (アクセサリ) の順に進みます。

**重要:** ヌル・モデム・ケーブルは使用しないでください。必ず、3534 マネジド・ハブと一緒に出荷されたシリアル・ケーブルを使用して 3534 マネジド・ハブ上のシリアル・ポートに接続するか、信号線用の "ストレート・スルー" 接続をもつ別のメス - メス・ケーブルを使用してください。

シリアル・ポートを使用して IP アドレスを設定または変更するには、次のステップを行います。

1. 3534 マネジド・ハブに付属のシリアル・ケーブルを使用して、サービス端末 (PC またはラップトップ) をシリアル・ポートに接続した後、3534 マネジド・ハブのプラグを電源コンセントに差し込みます。
2. HyperTerminal (ハイパーターミナル) セッションをオープンし、次のように構成します。
  - a. 12ページの図9 に示すような「Connection Description (接続の設定)」ウィンドウで、新規セッション用に使いたい名前を入力し、12ページの図9 に示されるアイコン・メニューからアイコンをどれか選択し、「OK」をクリックします。

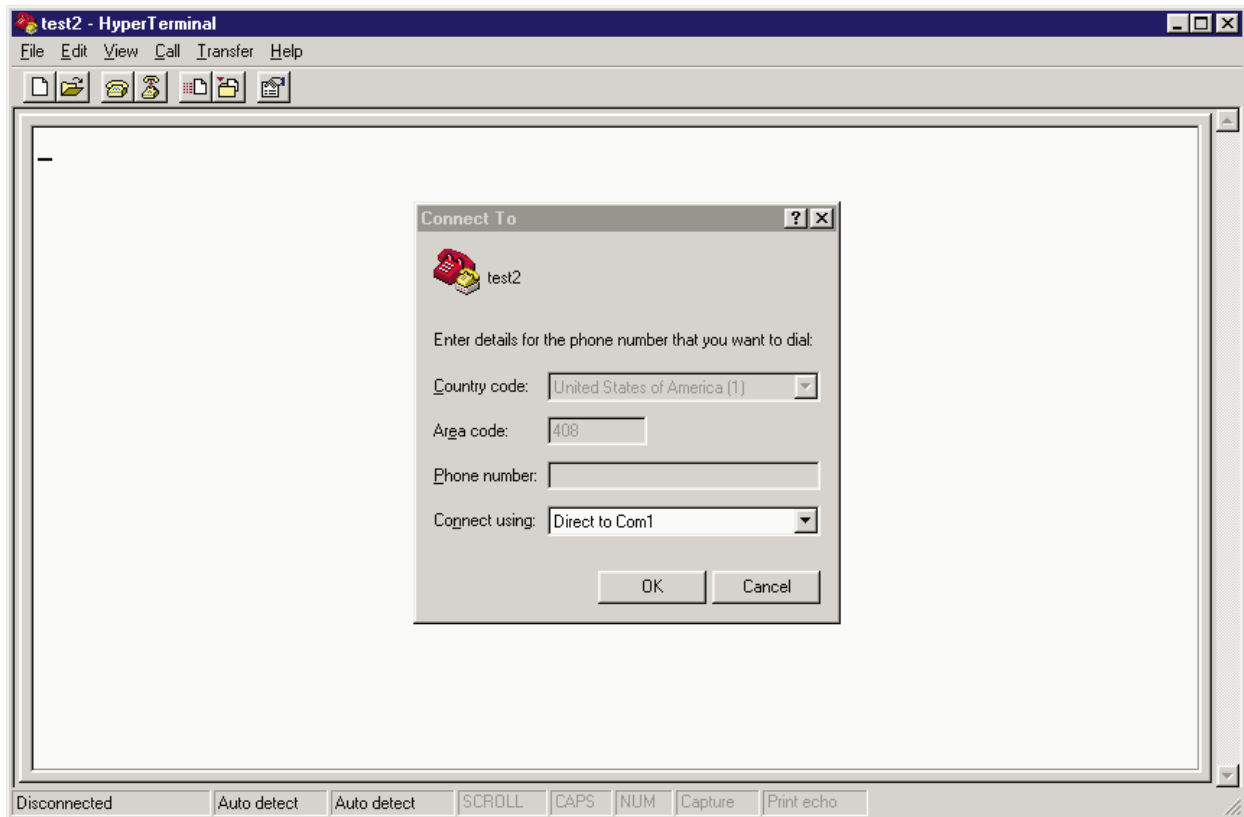


SL08939P

図9. 「*Connection Description* (接続の設定)」ウィンドウ

- b. 「*Connect To* (接続)」ウィンドウは、13ページの図10 に示されるように表示されます。このウィンドウで、「*connect using* (接続方法)」の設定をデフォルトから「*Direct to Com 1* (Com 1 へのダイレクト)」に変更し、「OK」をクリックします。





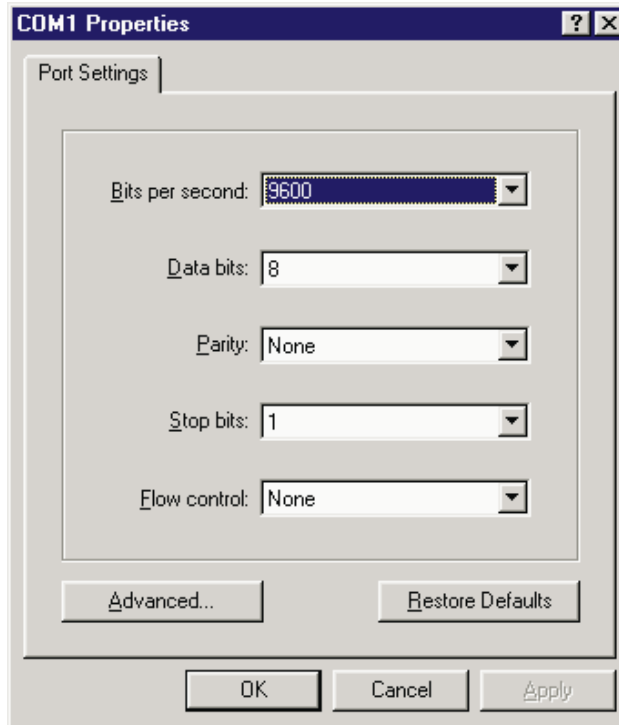
SL08940P

図 10. 「Connect to (接続)」ウィンドウ

- c. 「COM 1 Properties (Com 1 のプロパティ)」ウィンドウが、14ページの図 11 に示されるように表示されます。「Port Settings (ポートの設定)」タブで次のパラメーターを設定します。

Bits per second: 9600  
Data bits: 8  
Parity: None  
Stop bits: 1  
Flow control: None

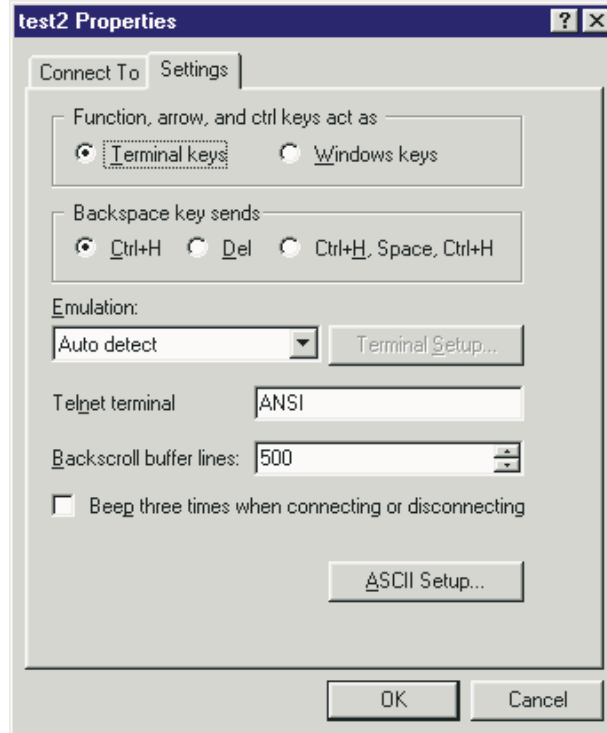
次に、「OK」をクリックします。



SL08936N

図 11. 「COM1 Properties (Com1 のプロパティー)」 - 「Port Settings (ポートの設定)」 ウィンドウ

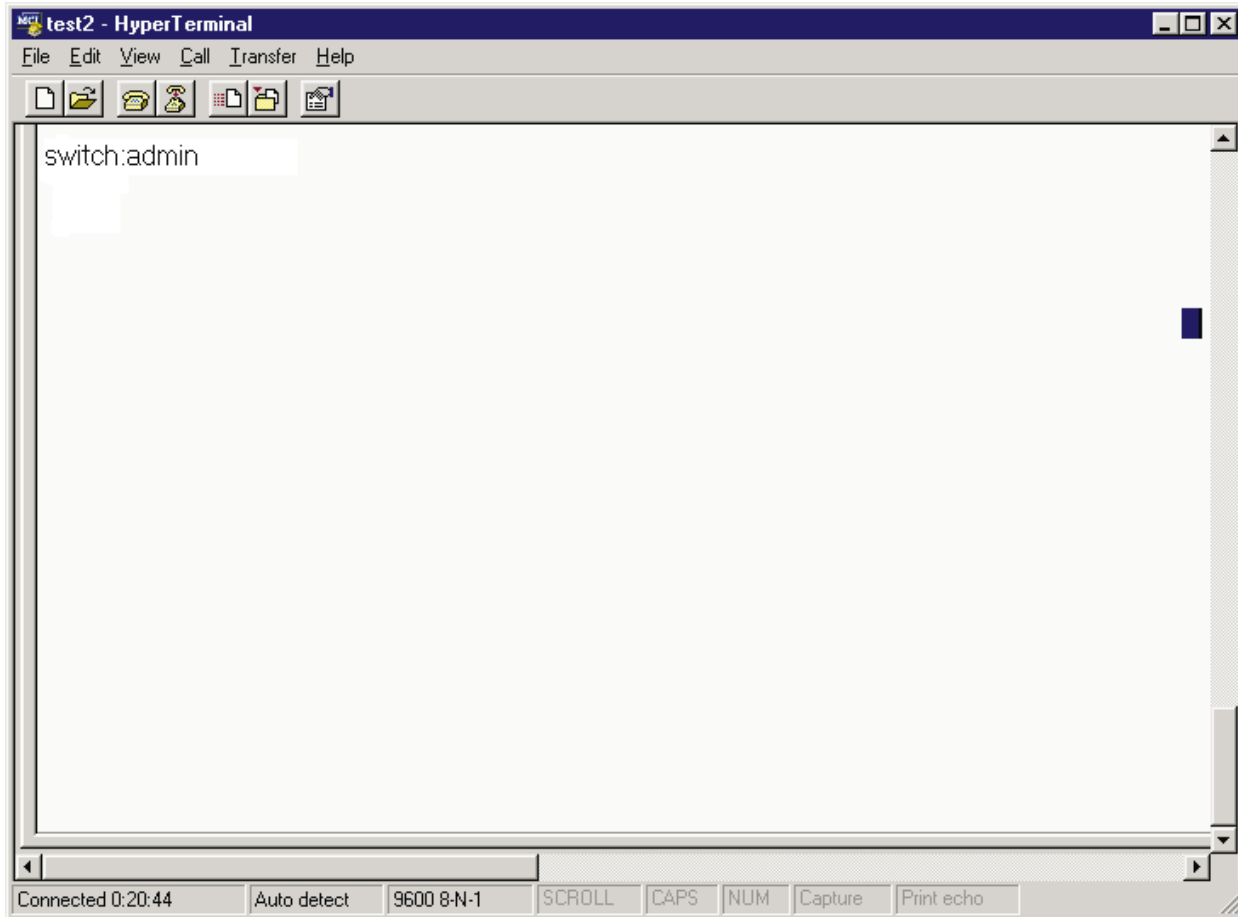
- d. File (ファイル) => Properties (プロパティー) をクリックします。「Properties (プロパティー)」ウィンドウが表示されます。「Settings (設定)」タブを選択し、15ページの図12 に示されるように「Emulation (エミュレーション)」フィールドを「autodetect (自動検出)」に設定してから、「OK」をクリックします。



SL08937N

図 12. 「Settings (設定)」 - 「Emulation (エミュレーション)」 ウィンドウ

3. 3534 マネジド・ハブを始動するには、電源コードを電源コンセントに差し込み、診断プログラムが完了するまで約 2 分間待ちます。電源コードが装置の前面に完全に差し込まれ、緑色の作動可能 LED がオンになっていることを確認します。
4. サービス端末 (PC またはラップトップ) で Enter キーを押します。  
3534 マネジド・ハブが次のように応答します。  
Admin>  
16ページの図13 に示されるように、HyperTerminal (ハイパーターミナル) セッションが現在稼働中です。



SL08934P

図 13. *HyperTerminal* (ハイパーターミナル) セッション

各プロンプトごとに、示されているように情報を入力し、各応答の終わりで Enter キーを押します。

a. Admin> ipAddrSet

これは IP アドレスを設定するためのコマンドです。

b. Ethernet IP address [Current ipaddress or None]: new IP addr

これはシステム管理者から入手した新規アドレスです。

c. Ethernet Subnetmask [Current subnet mask or None]: new Subnetmask or press Enter.

これはシステム管理者から入手した新規サブネット・マスクです。

d. Fibre Channel IP Address [None]: press Enter.

e. Fibre Channel Subnetmask [None]: press Enter.

f. Gateway Address [Current Gateway address or None]: new Gateway address or press Enter.

これはシステム管理者から入手した新規ゲートウェイ・アドレスです。

g. Admin> Logout

5. これで、シリアル・ポート・セッションは終了です。3534 マネジド・ハブの取り付けは完了しました。シリアル・ポート・コネクタからケーブルを取り外し

ます。『3534 マネジド・ハブの取り付けの検査』を参照して、3534 マネジド・ハブのファイバー・チャネル・ポートを検査してから、3534 マネジド・ハブをシステム管理者に引き渡してください。

---

## 3534 マネジド・ハブの取り付けの検査

3534 マネジド・ハブが正しく取り付けされていることを検査するには、次のことを行います。

1. 3534 マネジド・ハブのプラグを抜きます。

### 危険

電源コンセントに誤配線があると、システムまたはシステムに接続された製品の金属部分に危険な電圧が誘起されることがあります。感電を防止するためにコンセントが正しく配線されているようにするのは、お客様の責任です。(72XXD201)

2. 3534 マネジド・ハブの電源コードのプラグを電源コンセントに差し込みます。
3. 作動可能 LED がオンになっていることを確認します。
4. POST 診断プログラムが実行されている間、2 分間待ちます。
5. 3534 マネジド・ハブの作動可能 LED がオンになっていることを検査します。
6. 該当する折り返しコネクタ (ショート・ウェーブの場合は黒色、ロング・ウェーブの場合はぼかし色) を各ポートに、一度に 1 本ずつ差し込みます。関連した各ポートの LED が緑色でゆっくり点滅していることを検査します。  
ポート 0 ~ 6 はショート・ウェーブ用です。GBIC が取り付けられている場合、ポート 7 は、ショート・ウェーブとロング・ウェーブのどちらにも使えません。
7. 上記の検査のどれかが失敗する場合は、*IBM 3534 SAN Fibre Channel Managed Hub Managed Hub Installation and Service Guide, SY27-7616* の “Problem determination” の項を参照してください。それ以外の場合は、3534 マネジド・ハブをシステム管理者に引き渡して使用するようになしてください。

---

## ファームウェアのダウンロード

3534 マネジド・ハブは、入手可能な最新レベルのコード (ファームウェア) と一緒に出荷されます。ただし、新しいコードがリリースされても、3534 マネジド・ハブに容易にダウンロードできます。この作業は、ご使用のサーバーにデータと実行可能ソフトウェアを保管するのに必要とするものです。

最新のコードは、SAN ファイバー・チャネル 3534 マネジド・ハブの下記の Web サイトから入手することができます。

<http://www.ibm.com/storage/fchub>

このサイトでは、ファームウェアをダウンロードして、それを 3534 マネジド・ハブにロードする手順が用意されています。新しいコードのロードは、3534 マネジ

ド・ハブの活動を中断することなく行うことができます。ただし、新しいコードが機能できるようにするには、3534 マネジド・ハブを再始動する必要があります。

## ファームウェアのアップグレード手順

ファームウェアを 3534 マネジド・ハブにダウンロードするには、UNIX<sup>®</sup> ホストまたは Windows ホストのどちらからも行うことができます。UNIX ホストの場合、特別なソフトウェアは必要ありません。Windows の場合、ファームウェアと共にリモート・シェル (RSH) をサポートするデーモンが必要になります。このデーモンは、SAN ファイバー・チャンネル 3534 マネジド・ハブの Web サイトから入手することができます。ファームウェアのダウンロードは、TCP 上で実行される RPC コマンドを使用して、3534 マネジド・ハブとホスト間で行なわれます。

### UNIX ホストからのファームウェアのダウンロード

1. ファームウェアは、SAN ファイバー・チャンネル 3534 マネジド・ハブの Web サイトからダウンロードします。コードを保管したディレクトリを覚えておいてください。

コードは、3534 マネジド・ハブにはイーサネット LAN ポートを経由してだけロードできます。

2. 3534 マネジド・ハブへの Telnet セッションは、3534 マネジド・ハブへの接続性をもつ LAN 接続サーバーから開始します。

コマンドの形式は、次のとおりです。

```
telnet [managed hub IP address]
```

3. "admin" としてログインします。

```
login: admin
```

4. Password: password

パスワード・プロンプトに、現行の admin パスワードで応答します。3534 マネジド・ハブは、デフォルトのパスワードを password に設定して出荷されます。

5. 次のコマンドを入力します。

```
firmwareDownload ["host name/IP address"], ["user name"],["filename"]
```

たとえば、firmwareDownload "192.111.2.1", "timm", "/tmp/os/v2.1.3"

**注:** host name は、ホスト名または、ホストの IP アドレスです。username は有効なホスト・ユーザー名です。filename は、新しいファームウェア・ファイルへのパスです。

RSH サーバーは、ユーザーを確認し、ファイルを 3534 マネジド・ハブに送達します。ファイルはそこでフラッシュ・メモリーに格納されます。

## 危険

電源コンセントに誤配線があると、システムまたはシステムに接続された製品の金属部分に危険な電圧が誘起されることがあります。感電を防止するためにコンセントが正しく配線されているようにするのは、お客様の責任です。 (72XXD201)

6. 3534 マネジド・ハブの電源コードのプラグを抜いてから、電源コードのプラグを電源コンセントに戻し、新しいファームウェアを開始します。

### Windows ホストからのファームウェアのダウンロード

1. ファームウェアは、SAN ファイバー・チャネル 3534 マネジド・ハブの Web サイトからダウンロードします。コードを保管したディレクトリーを覚えておいてください。
2. 2 つのユーティリティー (rshd.exe および cat.exe) を Web サイトから、ファームウェアと同じディレクトリーにダウンロードします。
3. DOS ウィンドウで、rshd と入力して RSH デーモンを実行します。  
cat.exe を実行する必要はありません。これは自動的に行なわれます。
4. 18ページの『UNIX ホストからのファームウェアのダウンロード』に進みます。18ページの2 のステップから 6 のステップに従います。

**注: firmwareDownload** コマンドを使用して 3534 マネジド・ハブをダウンロードするときは、コマンド内のディレクトリーの位置には、PC (¥ マーク) ディレクトリーのアドレッシングではなく、UNIX ディレクトリー (フォワード・スラッシュ /) のアドレッシングを使用する必要があります。たとえば、NT からは **firmwareDownload** コマンドのファームウェアは、次のようになります。

```
firmwareDownload "192.111.2.1", "timm", "/tmp/os/v2.1.3".
```





---

## 特記事項

本書において、日本では発表されていないIBM製品（機械およびプログラム）、プログラミングまたはサービスについて言及または説明する場合があります。しかし、このことは、弊社がこのようなIBM製品、プログラミングまたはサービスを、日本で発表する意図があることを必ずしも示すものではありません。本書で、IBMライセンス・プログラムまたは他のIBM製品に言及している部分があっても、このことは当該プログラムまたは製品のみが使用可能であることを意味するものではありません。これらのプログラムまたは製品に代えて、IBMの知的所有権を侵害することのない機能的に同等な他社のプログラム、製品またはサービスを使用することができます。ただし、IBMによって明示的に指定されたものを除き、これらのプログラムまたは製品に関連する稼働の評価および検証はお客様の責任で行っていただきます。

IBMおよび他社は、本書で説明する主題に関する特許権（特許出願を含む）商標権、または著作権を所有している場合があります。本書は、これらの特許権、商標権、および著作権について、本書で明示されている場合を除き、実施権、使用权等を許諾することを意味するものではありません。実施権、使用权等の許諾については、下記の宛先に、書面にてご照会ください。

〒106-0032 東京都港区六本木3丁目2-31  
AP事業所  
IBM World Trade Asia Corporation  
Intellectual Property Law & Licensing

---

## 商標

次の用語は、IBM Corporation の米国およびその他の国における商標です。

- IBM
- IBM 3534 Managed Hub
- StorWatch
- Netfinity

Java およびすべての Java 関連の商標およびロゴは Sun Microsystems, Inc. の米国およびその他の国における商標または登録商標です。

Microsoft、Windows 98、Windows NT、および Windows ロゴは、Microsoft Corporation の米国およびその他の国における商標です。

UNIX は、The Open Group がライセンスしている米国およびその他の国における登録商標です。

他の会社名、製品名、およびサービス名等はそれぞれ各社の商標または登録商標です。

HyperTerminal は Hilgraeve Inc. の商標です。

---

## 電波障害自主規制への適合性

以下の記述は、この製品に適用されます。この製品と併用されるその他の製品についての同様の記述は、それらの関連マニュアルに記載されています。

## 情報処理装置等電波障害自主規制協議会 (VCCI) 表示

### 電波障害自主規制 届出装置の記述

この装置は、情報処理装置等電波障害自主規制協議会 (VCCI) の基準に基づくクラス A 情報技術装置です。この装置を家庭環境で使用すると電波妨害を引き起こすことがあります。この場合には使用者が適切な対策を講ずるよう要求されることがあります。

---

## IBM 機械コードのご使用条件

お客様が電子的、初期導入済み、記録媒体、またはその他の方法で入手された、BIOS、ユーティリティ、ダイアグノスティック、デバイス・ドライバーまたはマイクロコードを総称して、「機械コード」といいます。「機械コード」または「機械コード」が組み込まれた機械を使用すると以下の条件に同意したものとみなされます。「機械」とは、IBM 機械本体、機構、型式変更、機械構成部もしくはアクセサリまたはその組み合わせを意味します。このご使用条件に同意いただいた場合、お客様は、このご使用条件が同梱された機械 (以下「対象機械」といいます。) とともに「機械コード」を使用することができます。

「機械コード」の著作権は、インターナショナル・ビジネス・マシーンズ・コーポレーション、その直接もしくは間接の子会社 (以下総称して「IBM」といいます。) または「機械コード」の供給元に属します。

IBM は、お客様に対し「機械コード」を「対象機械」のみで使用するための非独占的な使用権を許諾します。お客様が「対象機械」の正当な占有者である場合、お客様は、予備用、コンフィグレーション用または「対象機械」の修復の目的で、「機械コード」を必要とする合理的な範囲の数まで複製することができます。この場合、お客様には、「機械コード」の複製物に IBM のための著作権表示を行っていただきます。

お客様は、「対象機械」と共に移転する場合に限り、「機械コード」およびその記録媒体を第三者に移転できます。この場合、お客様は、この「IBM 機械コードのご使用条件」およびすべての関連資料を「対象機械」と共に当該第三者に移転するものとします。お客様は、移転に伴い「機械コード」のすべての複製物を破毀するものとします。

お客様の使用権は、お客様が「対象機械」の正当な占有者でなくなった時点で消滅します。

お客様は、このご使用条件に明示する他、いかなる権利も取得しません。

お客様は、「機械コード」について、次のことを含む他のいかなる使用もできません。

1. お客様は、「対象機械」の関連資料で定める場合を除き、「機械コード」を複製、表示、移転、改作、修正すること、またはいかなる形態であれ配布もしくは送信することはできません。
2. 法律の強行法規のある場合を除き、お客様は、「機械コード」を逆アセンブル、逆コンパイル、解読または翻訳することはできません。
3. お客様は、「機械コード」を再使用許諾または使用权の譲渡はできません。
4. お客様は、「機械コード」またはそのいかなる複製物も賃貸することはできません。

「機械コード」には、「対象機械」の売買契約書または保証書に記載の保証条件が適用されます。「機械コード」に対する保証または損害賠償責任については、当該売買契約書または保証書をご覧ください。



# 索引

日本語, 数字, 英字, 特殊文字の順に配列されています。なお, 濁音と半濁音は清音と同等に扱われています。

## [ア行]

アップグレード手順、ファームウェアの 18  
アドレス、デフォルトの IP 9  
安全、レーザーの x  
安全上の検査 ix  
安全上の注記 ix  
イーサネット 9  
イーサネット・ポートを使用する IP アドレスの設定 10  
一般的な制約事項 x  
お客様の事前取り付け作業チェックリスト 1

## [カ行]

外部マシン・チェック ix  
関連資料 xiii  
検査、安全上の ix  
検査、3534 マネジド・ハブの取り付けの 17

## [サ行]

サブネット・マスク 10  
サポートされているプラットフォーム 1  
サポートされているホスト・バス・アダプター 1  
自主規制への適合性、電波障害 22  
事前取り付け作業チェックリスト、お客様の 1  
使用の制約事項 xi  
商標 21  
情報処理装置等電波障害自主規制協議会 (VCCI) 表示 22  
シリアル・ポートを使用する IP アドレスの設定 11  
資料、関連 xiii  
製品のリサイクル x  
制約事項、一般的な x  
制約事項、使用の xi  
設定、イーサネット・ポートを使用する IP アドレスの 10  
設定、シリアル・ポートを使用する IP アドレスの 11  
設定、マネジド・ハブ名の 9  
設定、IP アドレスの 9

## [タ行]

足りないパーツ 3  
ダウンロード、ファームウェアの 17

ダウンロード、UNIX ホストからのファームウェアの 18  
ダウンロード、Windows ホストからのファームウェアの 19  
チェック、外部マシン ix  
チェックリスト、お客様カスタマーの事前取り付け作業 1  
注記、安全上の ix  
注記、バッテリーの x  
ツール、必要な 4  
デーモン、RSH 19  
適合性、電波障害自主規制への 22  
手順、取り付け 3  
デスクトップへの取り付け 3  
デフォルトの IP アドレス 9  
電源、AC の取り外し ix  
電波障害自主規制への適合性 22  
特記事項 21  
取り外し、AC 電源の ix  
取り替え、パーツ 3  
取り付け、デスクトップ 3  
取り付け、ラック・マウントの 3  
取り付け、3534 マネジド・ハブの 1  
取り付け、GBIC の 8  
取り付け手順 3  
取り付けの検査、3534 マネジド・ハブの 17

## [ハ行]

パーツ、足りない 3  
パーツ取り替え 3  
バッテリーの注記 x  
ハブの取り付け、3534 マネジドの 1  
ハブの取り付けの検査、3534 マネジド 17  
ハブ名の設定、マネジド 9  
必要なツール 4  
ファームウェアのアップグレード手順 18  
ファームウェアのダウンロード 17  
フラッシュ・マウント・ドア付きのラック 5  
プラットフォーム、サポートされている 1  
本書について xiii  
本書の対象者 xiii  
ホスト・バス・アダプター、サポートされている 1

## [マ行]

マシン・チェック、外部 ix  
マネジド・ハブ、3534 の取り付け 1  
マネジド・ハブの取り付けの検査、3534 17  
マネジド・ハブ名の設定 9

## [ラ行]

ラック、フラッシュ・マウント・ドア付きの 5  
ラック、9306 Netfinity 5  
ラック・マウントへの取り付け 3  
リサイクル、製品の x  
レーザーの安全 x

## [数字]

3534 マネジド・ハブの取り付け 1  
3534 マネジド・ハブの取り付けの検査 17  
9306 Netfinity ラック 5

## A

AC 電源、取り外し ix

## G

GBIC の取り付け 8

## H

HyperTerminal (ハイパーターミナル) 11

## I

IBM 機械コードのご使用条件 22  
IP アドレス、デフォルトの 9  
IP アドレスの設定 9

## N

Netfinity ラック、9306 5

## R

RSH デーモン 19

## S

StorWatch スペシャリスト 9

## T

Telnet 9

## U

UNIX ホストからのファームウェアのダウンロード 18

**26** IBM 3534 SAN ファイバー・チャンネル マネジド・ハブのインストール

## W

Web サイト xiii

Windows ホストからのファームウェアのダウンロード  
19





Printed in Japan

SY88-6053-00



日本アイ・ビー・エム株式会社  
〒106-8711 東京都港区六本木3-2-12



---

## Part 5. Spain

This part contains the Spanish translation of the *IBM 3534 SAN Fibre Channel Managed Hub, Translations for Installing the Managed Hub*.



Hub gestionado de canal de fibra SAN 3534 de IBM



# Procedimiento de instalación del hub gestionado

**Atención**

Antes de utilizar esta información y el producto al que da soporte, lea la información general que se facilita en los apartados "Avisos de seguridad y medioambientales" en la página vii y "Avisos" en la página 21.

**Primera edición (mayo de 2000)**

Esta publicación es la traducción del original inglés *IBM 3534 SAN Fibre Channel Managed Hub Translations for Installing the Managed Hub*, SY27-7621-00.

En la dirección indicada a continuación no hay existencias de publicaciones. Si desea obtener más publicaciones de IBM, consulte al representante de IBM o escriba a la oficina de IBM que presta servicio a su localidad.

Al final de esta publicación encontrará una hoja de comentarios del lector. En caso de que no figure esta hoja, dirija sus comentarios a la siguiente dirección:

IBM, S.A.  
National Language Solutions Center  
Avda. Diagonal, 571  
08029 Barcelona  
España

También puede enviar sus comentarios electrónicamente a la siguiente dirección: [hojacom@vnet.ibm.com](mailto:hojacom@vnet.ibm.com)

Al enviar información a IBM, el remitente concede a IBM el derecho no exclusivo de utilizar o distribuir la información del modo que estime apropiado, sin incurrir por ello en ninguna obligación con el mismo.

© Copyright International Business Machines Corporation 2000. Reservados todos los derechos.

# Contenido

<b>Figuras</b> . . . . .	v
<b>Avisos de seguridad y medioambientales</b> . . . . .	vii
Traducciones de los avisos de seguridad . . . . .	vii
Inspección de seguridad . . . . .	vii
Cómo quitar la alimentación CA . . . . .	vii
Comprobación externa de la máquina . . . . .	vii
Aviso de precaución de la batería . . . . .	viii
Reciclado del producto . . . . .	viii
Seguridad láser . . . . .	viii
Restricciones de carácter general . . . . .	viii
Restricciones de uso. . . . .	viii
<b>Acerca de esta guía</b> . . . . .	ix
A quién va dirigida esta guía . . . . .	ix
Publicaciones relacionadas. . . . .	ix
Sitios web . . . . .	ix
<b>Instalación del hub gestionado 3534</b> . . . . .	1
Lista de comprobación previa a la instalación por parte del cliente . . . . .	1
Instrucciones de instalación. . . . .	3
Instalación con configuración de sobremesa . . . . .	3
Instalación con configuración de montaje en bastidor . . . . .	3
Instalación de la GBIC . . . . .	8
Establecimiento de la dirección IP . . . . .	8
Establecimiento del nombre del hub gestionado . . . . .	9
Establecimiento de la dirección IP mediante el puerto Ethernet . . . . .	10
Establecimiento de la dirección IP mediante el puerto serie . . . . .	11
Verificación de la instalación del hub gestionado 3534 . . . . .	17
Cómo bajar firmware. . . . .	17
Procedimiento de actualización del firmware . . . . .	18
<b>Avisos</b> . . . . .	21
Marcas registradas . . . . .	21
Avisos sobre emisiones electrónicas . . . . .	22
Declaración de conformidad con la Federal Communications Commission (FCC) . . . . .	22
Declaración de conformidad con la normativa de industria de Canadá . . . . .	22
Declaración de conformidad con la Comunidad Europea . . . . .	22
Sólo para Alemania . . . . .	23
Declaración de conformidad con la clase 1 del Japanese Voluntary Control Council for Interference (VCCI) . . . . .	24
Declaración de conformidad con la clase A de Taiwán . . . . .	24
Licencia de IBM para el código de la máquina . . . . .	24
Declaración de garantía limitada . . . . .	25
Estado de producción . . . . .	25
Garantía de IBM para las máquinas . . . . .	26
Servicio de garantía . . . . .	26
Ámbito de la garantía . . . . .	27
Restricción de la responsabilidad . . . . .	28
<b>Índice</b> . . . . .	29



---

## Figuras

1. Barra deslizante móvil . . . . .	5
2. Montaje de la parte móvil de la barra deslizante y los soportes laterales de bloqueo en el hub gestionado 3534 . . . . .	6
3. Montaje de la parte fija del riel y fijación de los soportes laterales de bloqueo . . . . .	7
4. Inserción de las barras deslizantes en los rieles del bastidor . . . . .	7
5. Ubicación del puerto GBIC. . . . .	8
6. Extremo frontal de la GBIC . . . . .	8
7. Hub gestionado 3534 . . . . .	9
8. Ejemplo del mandato <b>switchName</b> . . . . .	9
9. Ventana Connection Description . . . . .	12
10. Ventana Connect to. . . . .	13
11. Ventana COM1 Properties - Port Settings window. . . . .	14
12. Ventana Settings - Emulation . . . . .	15
13. Sesión de HyperTerminal. . . . .	16





---

## Avisos de seguridad y medioambientales

Esta guía contiene algunos avisos de seguridad. El aviso Peligro alerta sobre condiciones o procedimientos que pueden tener como consecuencia la muerte o daños personales graves. El aviso Precaución alerta sobre condiciones o procedimientos que pueden causar daños personales que no son mortales ni extremadamente peligrosos. El aviso Atención indica la posibilidad de ocasionar daños a programas, dispositivos, sistemas o datos.

---

### Traducciones de los avisos de seguridad

La traducción de los avisos de seguridad incluidos en esta guía se facilita en un manual aparte. Consulte en la publicación *IBM External Devices Safety Information*, SA26-7003 la traducción de los avisos de peligro.

Los avisos traducidos son fáciles de localizar en el manual de información de seguridad ya que figuran en orden numérico. Busque el número de identificador (72XXD201) del ejemplo siguiente.

#### PELIGRO

**Una toma de alimentación eléctrica que no esté cableada correctamente puede emitir un voltaje peligroso sobre las partes metálicas del sistema o de los productos conectados al sistema. Es responsabilidad del cliente asegurarse de que la toma de alimentación esté cableada y conectada a tierra correctamente para evitar una descarga eléctrica. (72XXD201)**

#### PRECAUCIÓN:

**Un aviso de precaución indica la existencia de un peligro que puede ocasionar daños personales moderados o menores. (RSFTC228)**

---

### Inspección de seguridad

Lleve a cabo las comprobaciones de seguridad siguientes para identificar si existen condiciones no seguras. Sea prudente ante condiciones de peligro de seguridad no descritas en las comprobaciones de seguridad. En caso de haber condiciones que no sean seguras, determine la magnitud de los peligros y decida si debe continuar antes de corregir el problema.

### Cómo quitar la alimentación CA

Lleve a cabo los pasos siguientes para quitar la alimentación CA:

1. Realice un cierre controlado del sistema.
2. Desconecte el cable de alimentación de la fuente de alimentación.

### Comprobación externa de la máquina

Realice la siguiente comprobación externa de la máquina:

**Atención:** IBM sólo autoriza a abrir esta máquina al personal de servicio especializado. Esta máquina está diseñada para ser reparada en fábrica.

1. Compruebe que todas las cubiertas externas estén presentes y no estén dañadas.

2. Asegúrese de que todos los pestillos y bisagras estén en buen estado de funcionamiento.
3. Si el hub gestionado 3534 no está instalado en un armario de bastidor, compruebe que no haya ningún pie suelto o roto.
4. Verifique que el cable de alimentación no esté dañado.
5. Verifique que el cable de señal externa no esté dañado.
6. Examine la cubierta para ver si existen filos, daños o alteraciones que dejen descubiertas las piezas internas del dispositivo.
7. Corrija los problemas que encuentre.

---

## **Aviso de precaución de la batería**

Una batería de litio puede ocasionar incendios, explosiones o quemaduras graves. No la recargue, desmonte, exponga a temperaturas superiores a 100°C, realice soldaduras directamente en la célula, queme o exponga el contenido de la célula al agua. Manténgala alejada de los niños. Sustitúyala únicamente por el número de pieza especificado para el sistema. El uso de otra batería puede suponer un riesgo de incendio o explosión. El conector de la batería está polarizado; no intente invertir la polaridad. Deseche la batería según las normativas locales.

---

## **Reciclado del producto**

Esta unidad contiene material reciclable. Este material debe reciclarse en las ubicaciones de tratamiento disponibles y según las normativas locales. En algunas zonas, IBM proporciona un programa de recogida de productos que garantiza el correcto manejo del producto. Póngase en contacto con un representante de IBM para obtener más información.

---

## **Seguridad láser**

Esta unidad puede contener un transceptor de una sola modalidad o un transceptor de varias modalidades, que son productos láser de la Clase 1. Los transceptores cumplen las especificaciones IEC 825-1 y FDA 21 CFR 1040.10 y 1040.11. El transceptor debe utilizarse en las condiciones de funcionamiento recomendadas.

---

## **Restricciones de carácter general**

La clasificación sólo es válida si el módulo se utiliza dentro de los límites de temperatura y voltaje especificados. El sistema que utiliza el módulo debe proporcionar una protección de fuente de alimentación que garantice que la fuente de alimentación del sistema dejará de suministrar alimentación si se detecta el límite de funcionamiento máximo recomendado o un valor superior en +3,3 V/+5 V en la fuente de alimentación. La temperatura de funcionamiento del módulo debe estar dentro del intervalo de temperaturas especificado en los límites de funcionamiento recomendados. Estos límites garantizan la seguridad en materia de láser.

---

## **Restricciones de uso**

Los puertos ópticos de los módulos deben tener la terminación de un conector óptico o una cubierta antipolvo.

---

## Acerca de esta guía

La publicación "Hub gestionado de canal de fibra SAN 3534 de IBM - Procedimiento de instalación del hub gestionado" contiene indicaciones sobre el procedimiento para instalar el hub gestionado de canal de fibra SAN 3534 de IBM, que constituye el capítulo 2 "Installing the 3534 Managed Hub" de la publicación *IBM 3534 SAN Fibre Channel Managed Hub Managed Hub Installation and Service Guide*, SY27-7616.

---

## A quién va dirigida esta guía

Esta guía está destinada a ser utilizada por:

- Un representante del servicio técnico (SSR) especializado, para resolver y diagnosticar problemas de hardware en el hub gestionado de canal de fibra SAN 3534 de IBM.
- El cliente, durante la instalación y configuración del hub gestionado de canal de fibra SAN 3534 de IBM. El hub gestionado de canal de fibra SAN 3534 de IBM es una unidad de instalación y configuración por el cliente (CSU). Antes de leer el apartado de instalación de esta guía, debe saber cómo mantener su propia red y el software correspondiente. Asimismo, debe saber cómo manejar los componentes eléctricos de forma segura.

**Importante:** a lo largo de esta guía, el término conmutador hace referencia a conmutadores y hubs salvo que se indique lo contrario.

**Importante:** en esta guía se hace referencia a StorWatch Specialist para hubs gestionados de canal de fibra SAN de IBM como StorWatch Specialist.

---

## Publicaciones relacionadas

Puede encontrarse información adicional relacionada con el hub gestionado 3534 en las publicaciones siguientes:

- *IBM 3534 SAN Fibre Channel Managed Hub Managed Hub Installation and Service Guide*, SY27-7616
- *IBM 3534 SAN Fibre Channel Managed Hub User's Guide*, GC26-7391
- *IBM External Devices Safety Information*, SA26-7003
- *Electrical Safety for IBM Customer Engineers*, S229-8124

Otra publicación que puede facilitar información relacionada es Fibre Channel Standards; consulte "Sitios web".

---

## Sitios web

Si desea obtener más información sobre productos de almacenamiento, visite el siguiente sitio web:

<http://www.ibm.com/storage/fchub>

Si desea obtener información detallada sobre los estándares de canal de fibra, visite el sitio web de la Fibre Channel Association:

<http://www.fibrechannel.com>



# Instalación del hub gestionado 3534

**Atención:** A lo largo de este capítulo, el término conmutador hace referencia a conmutadores y hubs salvo que se indique lo contrario.

## Lista de comprobación previa a la instalación por parte del cliente

Es importante que lea esta lista de comprobación antes de empezar a instalar el hub gestionado 3534. Algunos pasos pueden variar en función de la plataforma de sistema principal que se utilice para conectarse al hub gestionado 3534. Debe conocer la dirección IP del hub gestionado 3534 y debe haber planificado las demás actividades de instalación. La Tabla 1 muestra la lista de comprobación previa a la instalación.

Tabla 1. Lista de comprobación previa a la instalación del cliente

Paso	Acción o decisión del cliente	Comentarios o referencias
1	<ul style="list-style-type: none"><li>• Instalación con configuración de sobremesa</li><li>• Instalación con configuración de montaje en bastidor</li></ul>	Determine si el hub gestionado 3534 debe instalarse como modelo de sobremesa o de montaje en bastidor.
2	Compruebe que esté instalado el sistema operativo con el Service Pack correspondiente a la plataforma de sistema principal. Por ejemplo: Windows NT® 4.0, Service Pack (o posterior), y correcciones especiales (hot fixes) necesarias.	Si desea consultar la lista actual de las plataformas soportadas y las actualizaciones necesarias del código de plataforma de sistema principal, así como información acerca de cómo obtenerlas, visite el siguiente sitio web:  <a href="http://www.ibm.com/storage/fchub">http://www.ibm.com/storage/fchub</a>  o póngase en contacto con el soporte técnico de IBM.
3	Compruebe que el adaptador de bus de sistema principal de canal de fibra, el BIOS de HBA y el controlador de dispositivo estén instalados.	Si desea consultar una lista de los adaptadores HBA soportados y el BIOS y el controlador de dispositivo necesarios, <i>debe</i> visitar el siguiente sitio web:  <a href="http://www.ibm.com/storage/fchub">http://www.ibm.com/storage/fchub</a>
4	Compruebe que los sistemas de discos o cintas que se van a instalar sean compatibles.  Verifique que el controlador de dispositivo esté instalado o actualizado.	Normalmente el representante de servicio lleva a cabo esta operación durante la instalación del dispositivo de destino.  Si desea consultar una lista de los sistemas soportados, así como el BIOS y el controlador de dispositivo necesarios, <i>debe</i> visitar el siguiente sitio web:  <a href="http://www.ibm.com/storage/fchub">http://www.ibm.com/storage/fchub</a>

Tabla 1. Lista de comprobación previa a la instalación del cliente (continuación)

5	<p>Compruebe que todos los cables de canal de fibra se hayan:</p> <ul style="list-style-type: none"> <li>• Solicitado con el producto o bien preinstalado y verificado.</li> <li>• Etiquetado con un identificador de sistema principal y un identificador de hub gestionado 3534.</li> </ul>	<p>Consulte la especificación de HBA proporcionada con el HBA para determinar los cables necesarios, el identificador de sistema principal y el identificador de hub gestionado 3534. Por ejemplo, etiquete el puerto deseado o la ubicación de zona.</p>
6	<p>Determine los siguientes aspectos de la configuración del puerto Ethernet del hub gestionado 3534.</p> <p><b>Atención:</b> guarde esta configuración para su consulta posterior.</p> <ul style="list-style-type: none"> <li>• Dirección IP estática _____</li> <li>• Máscara de red (si es necesaria) _____</li> </ul> <p>Si el hub gestionado 3534 no está en la misma subred TCP/IP que el servidor*, asigne la dirección de pasarela de red predeterminada o las entradas de tabla de ruta.</p>	<p><b>Atención:</b> el uso de parámetros de Ethernet incorrectos puede provocar problemas en la red Ethernet.</p> <p>Obtenga los parámetros de Ethernet del hub gestionado 3534 del administrador de la red.</p>
7	<p>Establezca el nombre del hub gestionado mediante el mandato <b>switchName</b> de Telnet.</p>	<p>El nombre del hub gestionado debe resolverse como dirección IP (Protocolo de Internet) en el sistema principal que utiliza StorWatch™ Specialist. Ello es necesario incluso si se utiliza la dirección IP con el navegador web para conectarse al hub gestionado. El administrador de la red debe añadir la dirección IP del hub gestionado al servidor de nombres de dominio (DNS) o al servicio de información de red (NIS). Si lo prefiere, puede efectuar la resolución de nombres local mediante un archivo hosts. De no hacerse así, el rendimiento será deficiente al utilizar un navegador web para administrar el hub gestionado.</p>
8	<p>Lleve el cable de Ethernet desde el servidor* hasta el hub de red.</p>	
9	<p>Extienda el cable de Ethernet desde el hub de red hasta la ubicación en que se instalará el hub gestionado 3534.</p>	<p>Ninguno</p>
<p>*El término <i>servidor</i> utilizado en esta guía hace referencia al sistema que se utilizará para Stowatch Specialist para hubs gestionados de canal de fibra SAN.</p>		

---

## Instrucciones de instalación

El hub gestionado 3534 puede instalarse con una configuración de montaje en bastidor o con una configuración de sobremesa. Antes de instalar el hub gestionado 3534 y el cable de alimentación, instale los pies de goma de montaje en sobremesa para la instalación como modelo de sobremesa o instale el hub gestionado 3534 en un bastidor.

**Nota:** si le falta alguna pieza, consulte en el siguiente sitio web el número de teléfono para recambios de piezas.

<http://www.ibm.com/storage/fchub>

### Instalación con configuración de sobremesa

El hub gestionado 3534 se distribuye con la configuración de sobremesa. Se proporcionan pies de goma adhesivos. Fíjelos en la parte inferior del hub gestionado 3534 en los cuatro emplazamientos hundidos. Para fijar los pies de goma, siga estos pasos:

1. Gire el hub gestionado 3534 de arriba a abajo y apóyelo sobre la parte superior.
2. Limpie los cuatro emplazamientos hundidos con un paño para eliminar el polvo que exista.
3. Quite los pies de goma de la hoja proporcionada con el paquete de envío y coloque un pie en cada emplazamiento.
4. Presione firmemente los cuatro pies de goma en su posición.
5. Vuelva a colocar el hub gestionado 3534 en la posición vertical normal y sitúelo en la ubicación de servicio deseada.

### Instalación con configuración de montaje en bastidor

Lea las cuatro advertencias siguientes antes de iniciar la instalación con montaje en bastidor:

**Atención:** No lleve a cabo la instalación en un bastidor en que la temperatura ambiente interna del bastidor sea superior a 40°C o en que algún elemento obstaculice el flujo de aire. El aire fluye desde la parte posterior de la unidad hacia la parte frontal; no bloquee la parte frontal ni la parte posterior del bastidor.

**Atención:** Al realizar el montaje en bastidor de esta unidad, compruebe que los cables de fibra óptica direccionados desde esta unidad no queden bloqueados por las puertas del bastidor o por el hardware tras la instalación.

**Nota:** en el caso de los bastidores con puertas de montaje empotrado, como los bastidores 9306 Netfinity®, existen las opciones siguientes:

- Puede utilizar esta unidad para sustituir un hub de canal de fibra Netfinity 3523 instalando los pies de goma (consulte “Instalación con configuración de sobremesa”) y colocando el hub gestionado 3534 en la bandeja del bastidor en que se encontraba el 3523.
- Puede utilizar las barras deslizantes de montaje en bastidor; acople el hub gestionado 3534 al conjunto de orificios de montaje, que están acodados 3 pulgadas (unos 7,6 centímetros) hacia el interior del bastidor y eliminan la necesidad de instalar soportes laterales.

## PELIGRO

**Una toma de alimentación eléctrica que no esté cableada correctamente puede emitir un voltaje peligroso sobre las partes metálicas del sistema o de los productos conectados al sistema. Es responsabilidad del cliente asegurarse de que la toma de alimentación esté cableada y conectada a tierra correctamente para evitar una descarga eléctrica. (72XXD201)**

Esta unidad necesita 2 A de alimentación con una entrada de CA de 110-127 V o 1 A con una entrada de CA de 200-240 V. Compruebe que, al conectar el equipo al circuito de alimentación, la sobrecarga de los circuitos no bloquee el cableado ni exceda la protección existente.

**Importante:** las herramientas necesarias para la instalación con montaje en bastidor son las siguientes:

- Destornillador de ranura estándar
- Enroscador de tuerca (11/32 o llave inglesa)

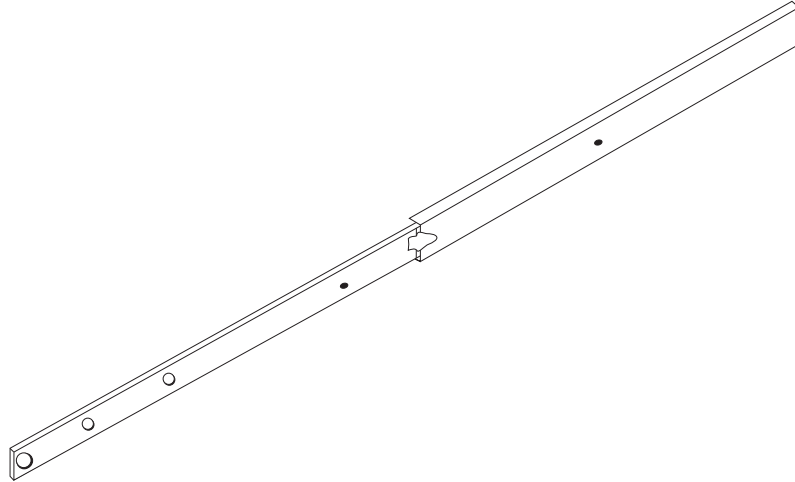
**Importante:** antes de iniciar la instalación con montaje en bastidor, siga estos pasos:

- Lea los pasos del 1 en la página 4 al 4 en la página 8.
- Localice las barras deslizantes de montaje en bastidor y el paquete de piezas de sujeción de montaje incluidos en el contenedor de envío.

El hub gestionado 3534 está diseñado para instalarse en un bastidor de 19 pulgadas estándar EIA. Para instalar el hub gestionado 3534 con la configuración de montaje en bastidor, lleve a cabo el procedimiento siguiente:

1. Monte la barra deslizante móvil y los soportes laterales de bloqueo en el hub gestionado 3534.
  - a. Localice ambas barras deslizantes y sepárelas. Extienda por completo la barra deslizante tal como se muestra en la Figura 1 en la página 5, presione el retén de seguridad y tire de la barra hasta separarla.



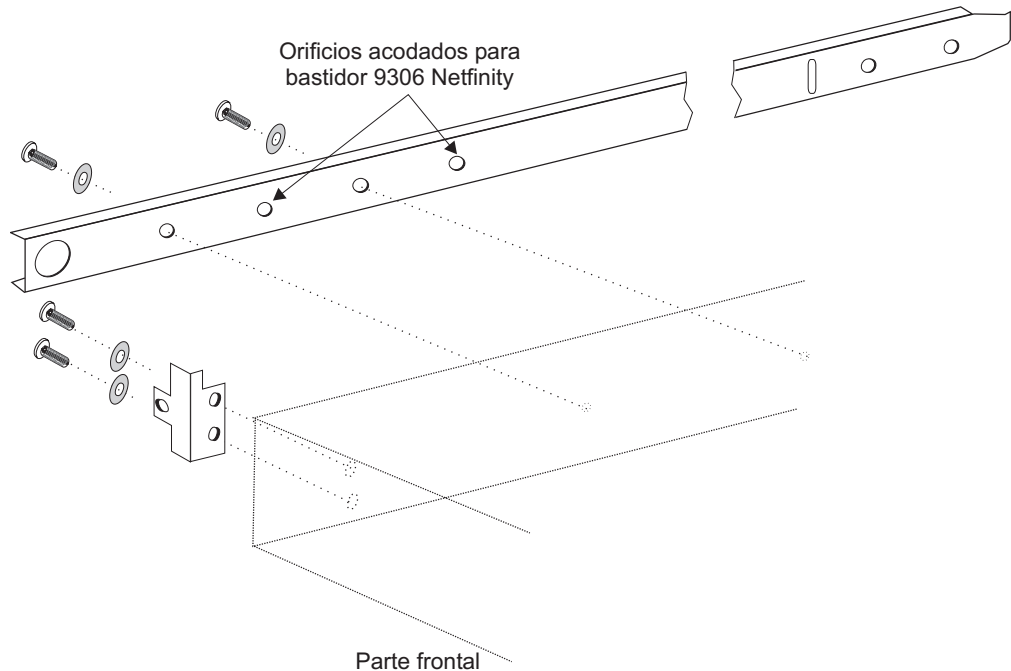


SL08933N

*Figura 1. Barra deslizante móvil*

**Atención:** En el caso de los bastidores con puertas de montaje empotrado, como los bastidores 9306 Netfinity, puede utilizar las barras deslizantes de montaje en bastidor; acople el hub gestionado 3534 al conjunto de orificios de montaje, que están acodados 3 pulgadas (unos 7,6 centímetros) en el interior del bastidor y eliminan la necesidad de instalar soportes laterales.

- b. Monte la parte móvil de la barra deslizante y los soportes laterales de bloqueo en el hub gestionado 3534 tal como se muestra en la Figura 2 en la página 6. Utilice los tornillos proporcionados con los soportes laterales de montaje en la bolsa pequeña. Monte primero la parte móvil de la barra deslizante y a continuación los soportes laterales de bloqueo.



SL08914N

*Figura 2. Montaje de la parte móvil de la barra deslizante y los soportes laterales de bloqueo en el hub gestionado 3534*

2. Monte la parte fija de la barra deslizante en el bastidor.
  - a. Abra el conjunto de piezas de sujeción de montaje en bastidor y monte las piezas de sujeción en la parte fija más ancha de las barras deslizantes (hay cuatro). Se monta una pieza de sujeción en cada uno de los extremos de la parte fija de las barras deslizantes. Los tornillos de montaje de la pieza de sujeción de la parte posterior deben quedar apretados sólo con la fuerza de los dedos. Los tornillos de montaje se apretarán por completo una vez instalado el hub gestionado 3534. Las piezas de sujeción de la parte frontal deben apretarse dejando aproximadamente unos 15 mm de la pieza de sujeción frente al extremo de la parte deslizante exterior fija. De esta forma se deja espacio para instalar los soportes laterales de bloqueo.
 

**Importante:** asegúrese de montar las piezas de sujeción de modo que el hub gestionado 3534 quede bien nivelado en el bastidor. Puede que deba ajustar la alineación; para ello, deberá aflojar los cuatro tornillos de las piezas de sujeción del montaje en bastidor, comprobar la alineación y a continuación volver a apretarlos según convenga.
  - b. Utilice los pasadores de montaje en bastidor y los tornillos largos proporcionados para montar la parte fija de las barras deslizantes en las barras de montaje verticales del bastidor. Consulte la Figura 3 en la página 7. Instale tres pasadores de bastidor en la parte frontal y en la parte posterior del bastidor. El pasador de bastidor medio de la parte frontal es para los soportes laterales de bloqueo.

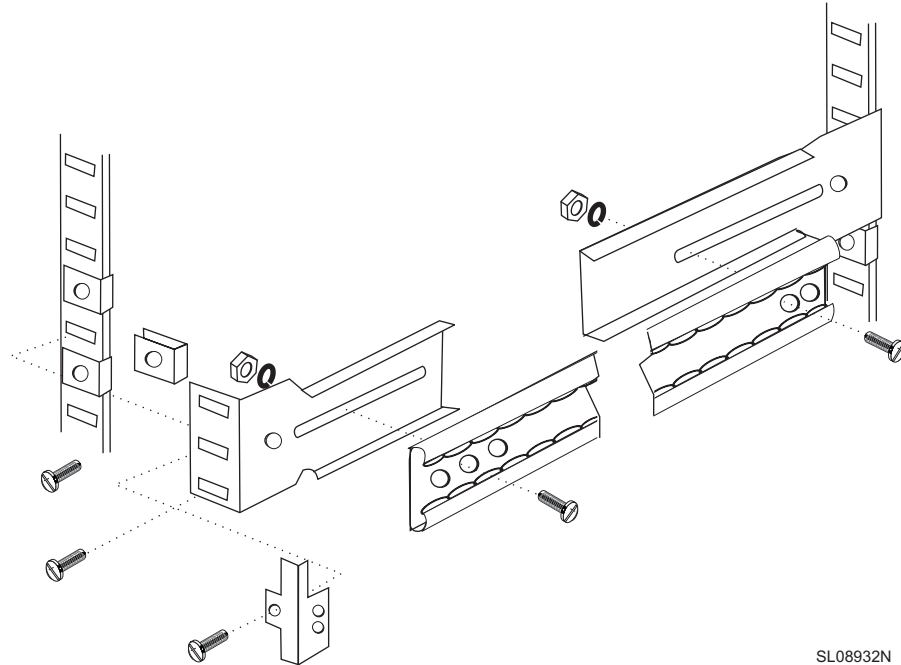


Figura 3. Montaje de la parte fija del riel y fijación de los soportes laterales de bloqueo

3. Inserte el hub gestionado 3534 y la parte móvil de las barras deslizantes en la parte fija de la barra deslizante del bastidor.
  - a. Eleve el hub gestionado 3534 y haga corresponder la parte del riel montada en el hub gestionado 3534 con la parte del riel donde ésta se encaja que está montada en el bastidor, tal como se muestra en la Figura 4. Empuje el hub gestionado 3534 hasta el final del bastidor.

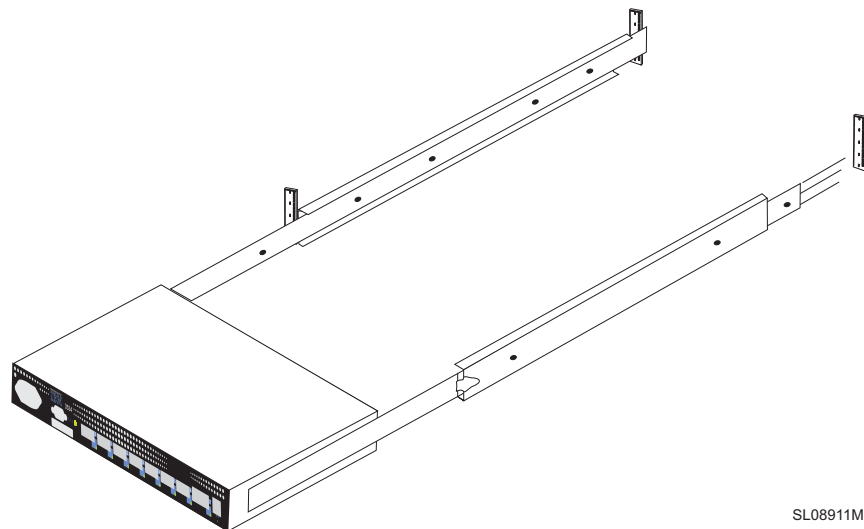


Figura 4. Inserción de las barras deslizantes en los rieles del bastidor

- b. Deslice el hub gestionado 3534 hacia adelante y hacia atrás por el riel varias veces para comprobar que se desplaza sin problemas. Mueva el hub gestionado 3534 parcialmente hacia adelante y apriete los tornillos de

montaje de las piezas de sujeción de la parte posterior que se dejaron apretadas únicamente con la fuerza de los dedos en el paso 2a en la página 6.

4. Deslice el hub gestionado 3534 totalmente hasta el interior del bastidor. Con los demás tornillos proporcionados con los soportes laterales de bloqueo, bloquee el hub gestionado 3534 en el bastidor. Consulte la Figura 3 en la página 7.

Este paso finaliza la instalación con montaje en bastidor.

---

## Instalación de la GBIC

El hub gestionado 3534 se distribuye con siete puertos de fibra óptica fijos y un puerto GBIC acoplable, tal como se muestra en la Figura 5.

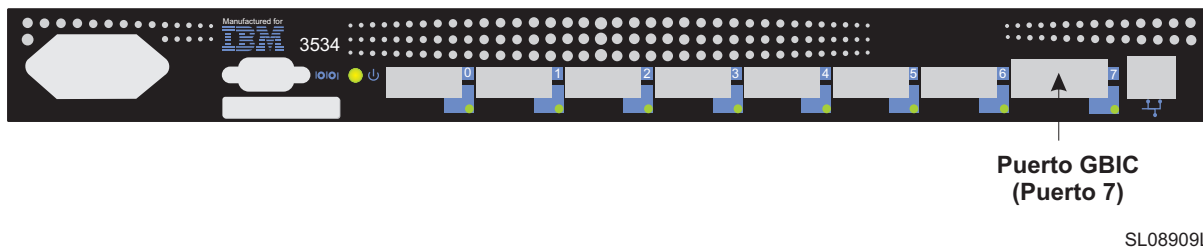


Figura 5. Ubicación del puerto GBIC

La Figura 6 muestra la parte frontal de la GBIC con la cubierta antipolvo de goma quitada. Se recomienda dejar colocada la cubierta en la GBIC hasta que se inserte un cable de canal de fibra. El otro extremo de la GBIC se inserta en el hub gestionado 3534.



Figura 6. Extremo frontal de la GBIC

---

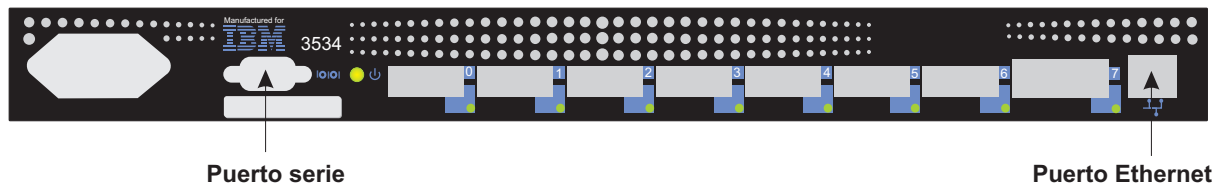
## Establecimiento de la dirección IP

La dirección IP puede establecerse mediante el puerto serie o el puerto Ethernet. Siempre que sea posible, es preferible establecer la dirección IP mediante el puerto serie.

El hub gestionado 3534 se distribuye de fábrica con una dirección IP por omisión (10.77.77.77) preinstalada. Esta dirección IP está impresa en la etiqueta del borde superior de la parte frontal del hub gestionado 3534. Esta dirección es para la conexión Ethernet externa.

Si puede, utilice esta dirección por omisión para conectarse a la red de área local (LAN) a fin de establecer una conexión de red con el hub gestionado 3534. Consulte en la Figura 7 las ubicaciones de los puertos Ethernet y serie en el hub gestionado 3534. Más adelante podrá cambiar esta dirección IP mediante un mandato de Telnet o StorWatch Specialist emitido desde cualquier servidor que tenga acceso a la misma LAN. Esta es la forma más fácil de establecer la dirección IP. Deberá preguntar al administrador del sistema si se puede utilizar la dirección por omisión.

Si no se puede utilizar la dirección IP por omisión, la dirección IP deberá establecerse mediante el puerto Ethernet o el puerto serie. Establezca la dirección IP con la información proporcionada por el administrador del sistema que encontrará en la lista de comprobación previa a la instalación.



SL08910L

Figura 7. Hub gestionado 3534

## Establecimiento del nombre del hub gestionado

La Figura 8 ilustra el mandato **switchName**, que establece el nombre del hub gestionado 3534. Como puede observarse, el nuevo nombre del hub gestionado debe estar delimitado por comillas. La sintaxis del mandato es la siguiente:

```
switchName "nuevo_nombre_del_hub"
```

```
switch:admin> switchName "sw3"  
Updating flash...
```

Figura 8. Ejemplo del mandato **switchName**

Este paso es crucial si desea utilizar StorWatch Specialist para conectarse al hub gestionado mediante un navegador web. Este nombre debe resolverse en la dirección IP asignada por el administrador de la red en el sistema cliente que se utiliza para conectarse al hub gestionado mediante StorWatch Specialist. De lo contrario, el rendimiento será deficiente al utilizar un navegador web para administrar el hub gestionado.

**Nota:** este mandato sólo está disponible para usuarios con nivel de administrador. El nombre del hub gestionado 3534 está sujeto a determinadas restricciones en cuanto a longitud y formato.

## Establecimiento de la dirección IP mediante el puerto Ethernet

Antes de intentar establecer la dirección IP mediante el puerto Ethernet, el administrador del sistema debe proporcionar un sistema principal en la misma subred que el hub gestionado 3534. Debe establecerse una dirección secundaria en 10.77.77.1 (o una dirección parecida que se encuentre disponible y que sea distinta a la dirección del hub gestionado 3534) con la máscara 255.255.255.0.

Si no puede emplear este método, vaya a "Establecimiento de la dirección IP mediante el puerto serie" en la página 11.

1. Conecte la LAN al panel frontal del hub gestionado 3534, acoplado un cable de LAN 10/100BaseT Ethernet existente al conector RJ-45 de la parte frontal del hub gestionado 3534.
2. Encienda el hub gestionado 3534 conectándolo a una toma de alimentación eléctrica. Compruebe que el cable de alimentación esté bien sujeto en la parte frontal de la unidad y que el indicador LED verde esté encendido, lo que indica que el dispositivo está preparado. Espere 2 minutos a que finalicen los diagnósticos.
3. Desde un servidor conectado a la LAN, escriba la dirección IP de Telnet. Si se trata de la instalación inicial, utilice la dirección IP por omisión que se encuentra en la etiqueta de la esquina superior izquierda del hub gestionado 3534. Si se ha instalado el hub gestionado 3534 antes de utilizar la dirección IP de la etiqueta, siga utilizando la dirección actual de la etiqueta. Si no se ha utilizado la dirección IP de la etiqueta, deberá pedir la dirección IP actual al administrador del sistema.

El hub gestionado 3534 responde como se indica a continuación. En cada indicador de solicitud, escriba la información que se muestra y pulse Intro.

- a. Login: admin

El hub gestionado 3534 se distribuye con este valor como nombre de administrador por omisión.

- b. Password: password

Esta es la contraseña por omisión. No verá la contraseña a medida que la escriba.

- c. Ipaddress:admin> ipAddrSet

Este es el mandato para establecer la dirección IP.

- d. Ethernet IP address [se mostrará la dirección actual]: nueva dirección IP.

Ésta es la nueva dirección proporcionada por el administrador del sistema.

- e. Ethernet Subnetmask [se mostrará la máscara de subred actual o None]: escriba la nueva máscara de subred o pulse Intro.

Escriba la nueva máscara de subred proporcionada por el administrador del sistema o, si no se necesita ninguna, pulse Intro.

- f. Fibre Channel IP Address [None]: pulse Intro.

Fibre Channel Subnetmask [None]: pulse Intro.

- g. Gateway Address [dirección de pasarela actual o None]: escriba la nueva dirección de pasarela o pulse Intro.

Escriba la nueva dirección de pasarela proporcionada por el administrador del sistema o, si no se necesita ninguna, pulse Intro.

- h. Ipaddress:admin> logout

4. Esto finaliza la sesión de Telnet. Ha completado la instalación del hub gestionado 3534. Para comprobar los puertos de canal de fibra del hub gestionado 3534, consulte "Verificación de la instalación del hub gestionado 3534" en la página 17.

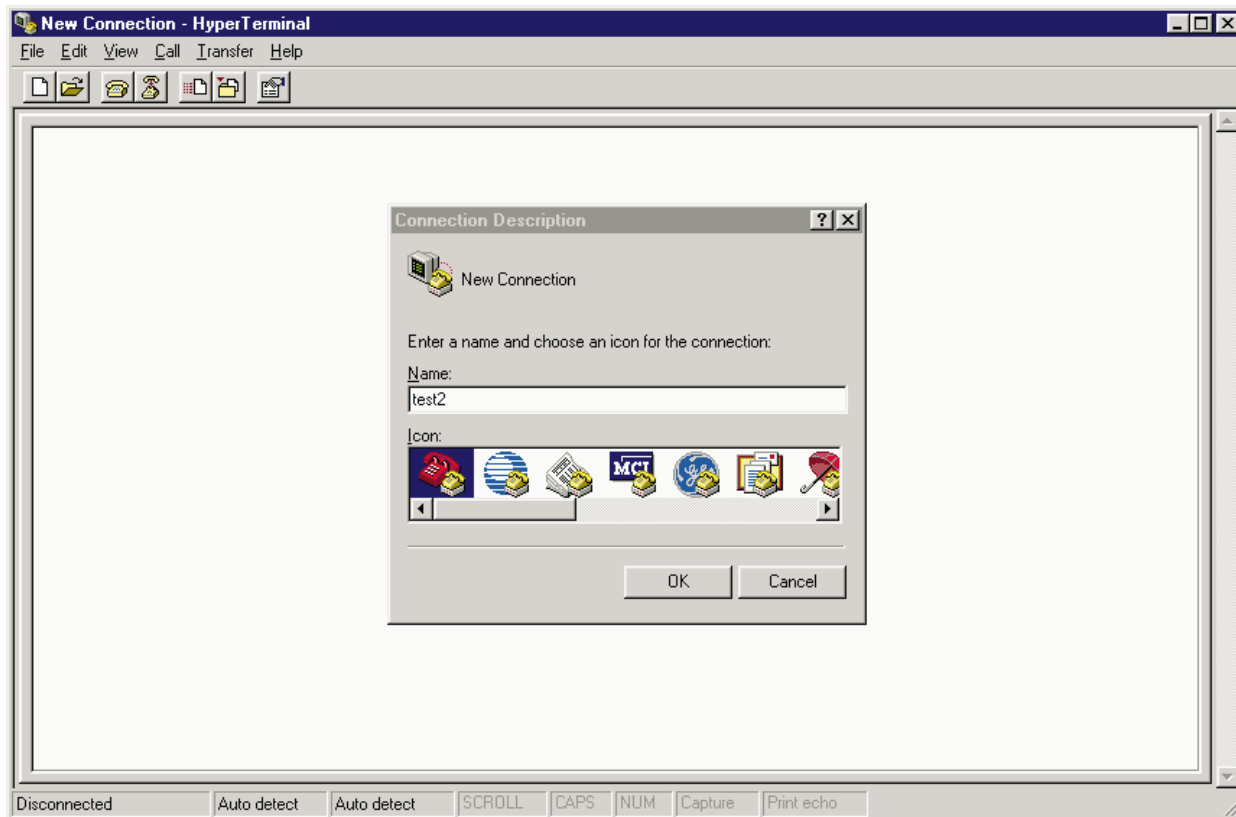
## Establecimiento de la dirección IP mediante el puerto serie

**Importante:** la manera de abrir una sesión de HyperTerminal varía según la versión de Windows® que se utilice. El procedimiento siguiente se basa en el uso de un sistema portátil que ejecuta Windows® 98. Para iniciar una sesión de HyperTerminal, vaya a Start => Programs => Accessories.

**Importante:** no utilice un cable de módem nulo. Asegúrese de que utiliza el cable serie suministrado con el hub gestionado 3534 para conectarse al puerto serie del hub gestionado 3534, u otro cable hembra-hembra que tenga conexiones "directas" para las líneas de señal.

Siga estos pasos para establecer o cambiar la dirección IP mediante el puerto serie:

1. Con la ayuda del cable serie que se proporciona con el hub gestionado 3534, conecte el terminal de servicio (sistema PC o portátil) al puerto serie antes de conectar el hub gestionado 3534 a la toma de alimentación eléctrica.
2. Abra una sesión de HyperTerminal y configúrela del modo siguiente:
  - a. En la ventana Connection Description que se muestra en la Figura 9 en la página 12, escriba el nombre que desea utilizar para la nueva sesión, seleccione un icono del menú de iconos que ilustra la Figura 9 en la página 12 y pulse OK.

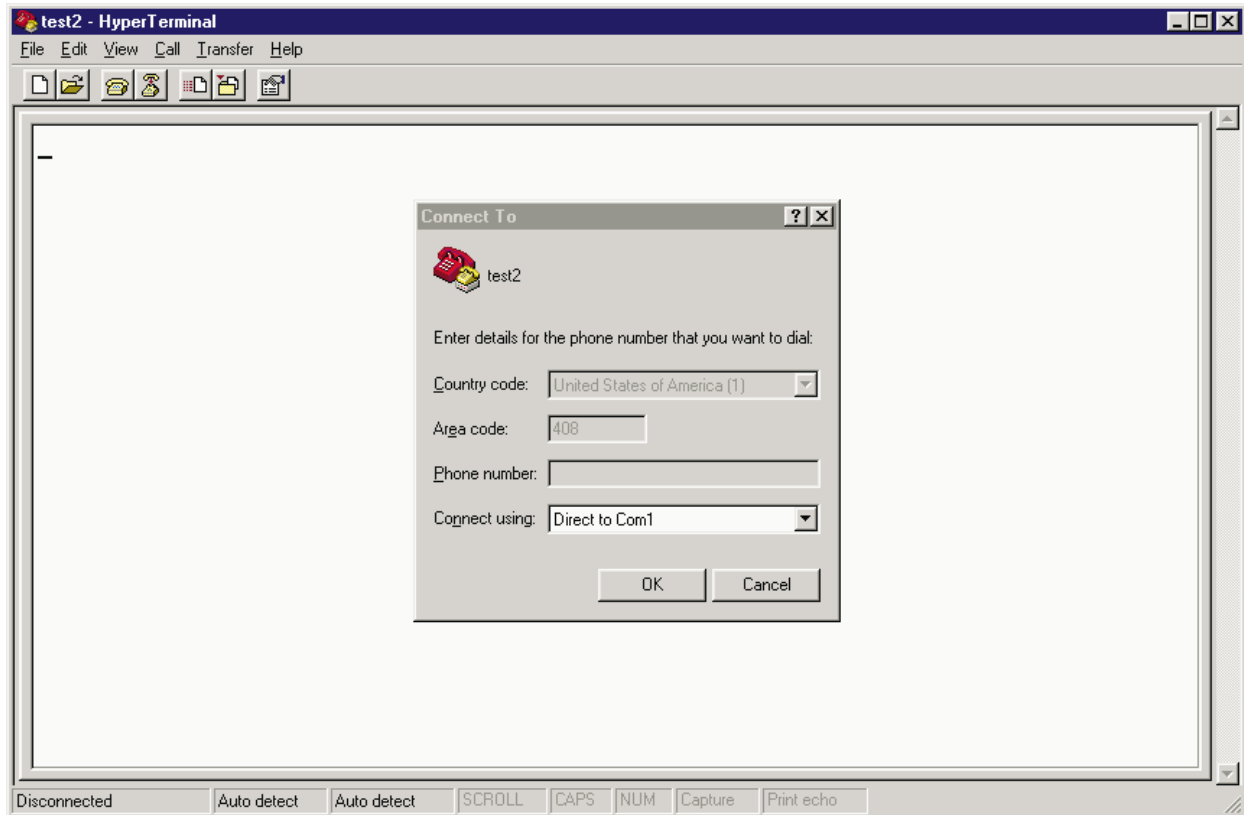


SL08939P

Figura 9. Ventana Connection Description

- b. Aparece la ventana Connect To, tal como se muestra en la Figura 10 en la página 13 . En esta ventana, cambie el valor de Connect utilizando de su valor por omisión a Direct to Com 1 y pulse OK.

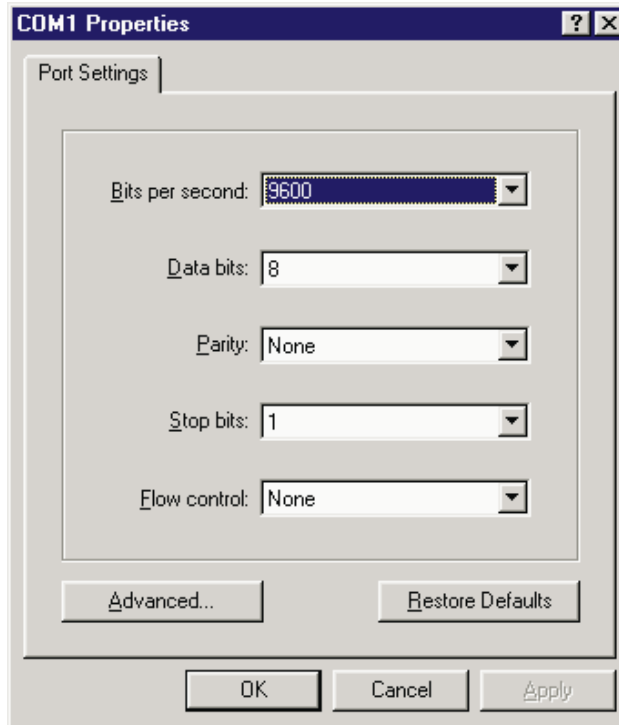




SL08940P

Figura 10. Ventana Connect to

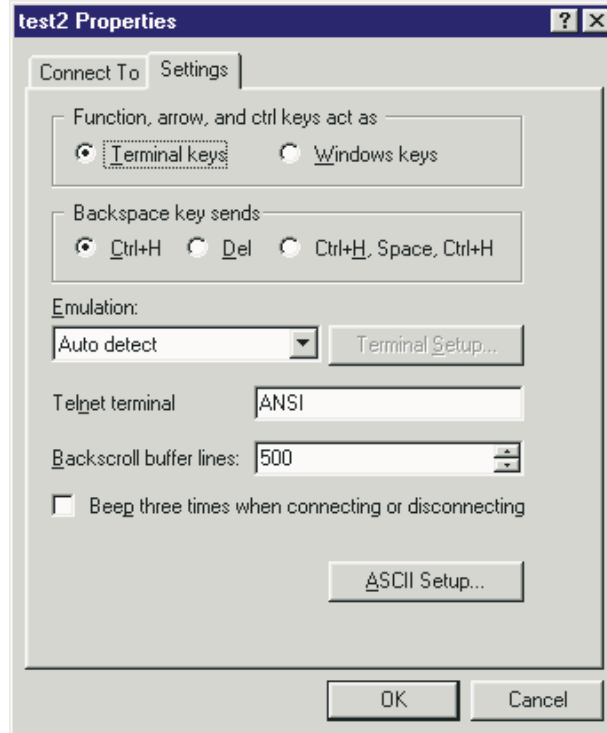
- c. Aparece la ventana COM 1. Properties, mostrada en la Figura 11 en la página 14 . Establezca los parámetros siguientes en la pestaña Port Settings:  
Bits per second: 9600  
Data bits: 8  
Parity: None  
Stop bits: 1  
Flow control: None  
  
Pulse OK.



SL08936N

Figura 11. Ventana COM1 Properties - Port Settings window

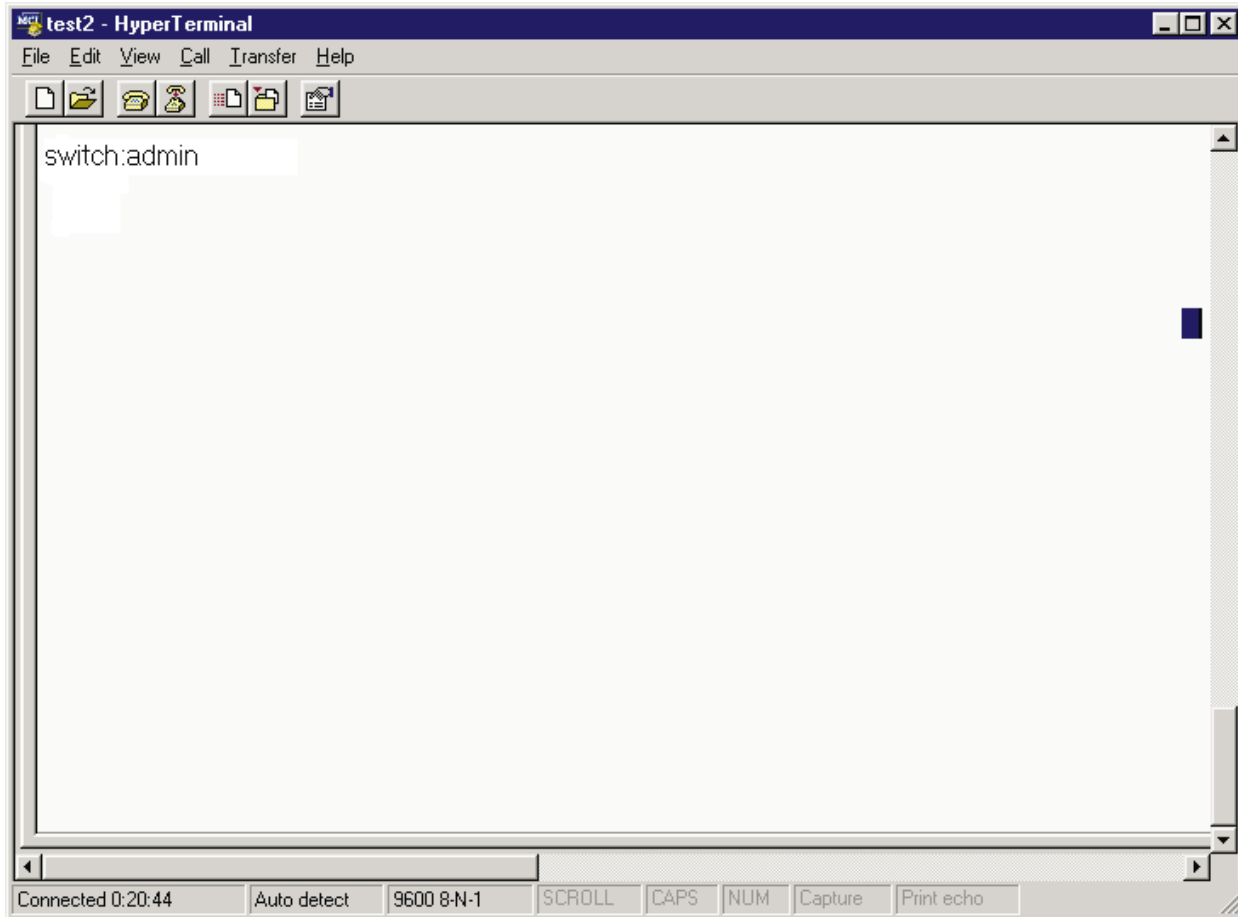
- d. Pulse File => Properties. Aparece la ventana Properties. Seleccione la pestaña Settings, establezca el campo Emulation en autodetect como se muestra en la Figura 12 en la página 15 y a continuación pulse OK.



SL08937N

Figura 12. Ventana Settings - Emulation

3. Arranque el hub gestionado 3534 conectando el cable de alimentación en la toma de alimentación eléctrica; espere unos 2 minutos a que los diagnósticos finalicen. Compruebe que el cable de alimentación esté bien fijado en la parte frontal de la unidad y que el indicador LED verde, que indica que el dispositivo está preparado, esté encendido.
4. Pulse Intro en el terminal de servicio (sistema PC o portátil).  
El hub gestionado 3534 responde como se indica a continuación:  
Admin>  
La sesión de HyperTerminal está en ejecución, tal como muestra la Figura 13 en la página 16.



SL08934P

Figura 13. Sesión de HyperTerminal

En cada indicador de solicitud, escriba la información como se muestra y pulse Intro al final de cada respuesta.

- a. Admin> ipAddrSet  
Este es el mandato para establecer la dirección IP.
  - b. Ethernet IP address [dirección IP actual o None]: nueva dirección IP  
Ésta es la nueva dirección proporcionada por el administrador del sistema.
  - c. Ethernet Subnetmask [máscara de subred actual o None]: escriba la nueva máscara de subred o pulse Intro.  
Esta es la nueva máscara de subred proporcionada por el administrador del sistema.
  - d. Fibre Channel IP Address [None]: pulse Intro.
  - e. Fibre Channel Subnetmask [None]: pulse Intro.
  - f. Gateway Address [dirección de pasarela actual o Current o None]: escriba la nueva dirección de pasarela o pulse Intro.  
Ésta es la nueva dirección de pasarela proporcionada por el administrador del sistema.
  - g. Admin> Logout
5. Esto finaliza la sesión del puerto serie. Ha completado la instalación del hub gestionado 3534. Retire el cable del conector del puerto serie. Para comprobar los puertos de canal de fibra del hub gestionado 3534 antes de pasar el hub

gestionado 3534 al administrador del sistema, consulte "Verificación de la instalación del hub gestionado 3534".

---

## Verificación de la instalación del hub gestionado 3534

Para verificar que el hub gestionado 3534 se haya instalado correctamente, lleve a cabo los pasos siguientes:

1. Desenchufe el hub gestionado 3534.

### PELIGRO

**Una toma de alimentación eléctrica que no esté cableada correctamente puede emitir un voltaje peligroso sobre las partes metálicas del sistema o de los productos conectados al sistema. Es responsabilidad del cliente asegurarse de que la toma de alimentación esté cableada y conectada a tierra correctamente para evitar una descarga eléctrica. (72XXD201)**

2. Conecte el cable de alimentación del hub gestionado 3534 a la toma de alimentación eléctrica.
3. Compruebe que el indicador LED esté encendido, lo que indica que el dispositivo está preparado.
4. Espere 2 minutos a que se ejecuten los diagnósticos de la POST.
5. Compruebe que el indicador LED del hub gestionado 3534 esté encendido, lo que indica que el dispositivo está preparado.
6. Acople el conector de prueba aislada adecuado (negro para longitud de onda corta y gris para longitud de onda larga) a cada puerto, de uno en uno. Verifique que los indicadores LED de los puertos asociados emitan una luz verde que parpadea lentamente.  
Los puertos 0 - 6 son de longitud de onda corta. Si hay una GBIC instalada, el puerto 7 puede ser de longitud de onda corta o larga.
7. Si alguna de las comprobaciones anteriores resulta fallida, consulte el apartado "Problem determination" de la publicación *IBM 3534 SAN Fibre Channel Managed Hub Managed Hub Installation and Service Guide*, SY27-7616. De no ser así, pase el hub gestionado 3534 al administrador del sistema para su uso.

---

## Cómo bajar firmware

El hub gestionado 3534 se distribuye con el último nivel de código (firmware) disponible. Sin embargo, siempre puede transferir fácilmente el nuevo código al hub gestionado 3534. Para llevar a cabo esta tarea, debe guardar los datos y el software ejecutable en el servidor.

El último código puede obtenerse del sitio web del hub gestionado 3534 de canal de fibra SAN:

<http://www.ibm.com/storage/fchub>

En este sitio se facilitan instrucciones para bajar el firmware y cargarlo en el hub gestionado 3534. El nuevo código se puede cargar sin interrumpir la actividad del hub gestionado 3534. No obstante, para hacer que el nuevo código sea operativo, será necesario reiniciar el hub gestionado 3534.

## Procedimiento de actualización del firmware

Puede bajar firmware al hub gestionado 3534 desde un sistema principal UNIX® o desde un sistema Windows. En el caso de un sistema principal UNIX, no se necesita ningún software especial. En el caso de Windows, necesitará el daemon para dar soporte a un shell remoto (RSH) con el firmware. Este daemon puede obtenerse del sitio web del hub gestionado 3534 de canal de fibra SAN. Para bajar el firmware, se ejecuta el mandato RPC sobre TCP entre el hub gestionado 3534 y el sistema principal.

### Cómo bajar firmware desde un sistema principal UNIX

1. Baje el firmware del sitio web del hub gestionado 3534 de canal de fibra SAN. Recuerde el directorio en que guarda el código.

El código sólo puede cargarse en el hub gestionado 3534 por el puerto de LAN Ethernet.

2. Inicie una sesión de Telnet con el hub gestionado 3534 desde un servidor conectado a la LAN que tenga conectividad con el hub gestionado 3534.

El formato del mandato es el siguiente:

```
telnet [dirección IP del hub gestionado]
```

3. Inicie la sesión como "admin".

```
login: admin
```

4. Password: contraseña

Responda al indicador de solicitud de contraseña con la contraseña actual de admin. El hub gestionado 3534 se distribuye con password como contraseña por omisión.

5. Escriba el mandato siguiente:

```
firmwareDownload ["nombre de sistema principal/dirección IP"], ["nombre de usuario"], ["nombre de archivo"]
```

Por ejemplo: `firmwareDownload "192.111.2.1", "timm", "/tmp/os/v2.1.3"`

**Nota:** el nombre de sistema principal es el nombre del sistema principal o la dirección IP del sistema principal; el nombre de usuario es un nombre de usuario del sistema principal válido, y el nombre de archivo es una vía de acceso al nuevo archivo de firmware.

el servidor de RSH valida el usuario y entrega el archivo al hub gestionado 3534, donde se almacena en la memoria flash.

### PELIGRO

**Una toma de alimentación eléctrica que no esté cableada correctamente puede emitir un voltaje peligroso sobre las partes metálicas del sistema o de los productos conectados al sistema. Es responsabilidad del cliente asegurarse de que la toma de alimentación esté cableada y conectada a tierra correctamente para evitar una descarga eléctrica. (72XXD201)**

6. Desenchufe el cable de alimentación del hub gestionado 3534 y, a continuación, enchufe el cable de alimentación en la toma de alimentación eléctrica para iniciar el nuevo firmware.

## Cómo bajar firmware desde un sistema principal Windows

1. Baje el firmware del sitio web del hub gestionado 3534 de canal de fibra SAN. Recuerde el directorio en que guarda el código.
2. Baje los dos programas de utilidad (rshd.exe y cat.exe) del sitio web en el mismo directorio que el firmware.
3. En una ventana de DOS, escriba rshd para ejecutar el daemon de RSH. No es necesario ejecutar cat.exe, puesto que ya se hace automáticamente.
4. Vaya a "Cómo bajar firmware desde un sistema principal UNIX" en la página 18. Siga los pasos del 2 en la página 18 al 6 en la página 18.

**Nota:** al bajar firmware a un hub gestionado 3534 mediante el mandato **firmwareDownload**, debe utilizar el delimitador de directorios de UNIX (barra inclinada /) y no el de PC (barra inclinada invertida \) para especificar la ubicación de directorios en el mandato. Por ejemplo, desde NT, el firmware del mandato **firmwareDownload** sería:

```
firmwareDownload "192.111.2.1", "timm", "/tmp/os/v2.1.3".
```





---

## Avisos

Esta información se ha desarrollado para productos y servicios que se ofrecen en Estados Unidos.

Es posible que IBM no ofrezca en otros países los productos, servicios o características que se tratan en este documento. Consulte con el representante local de IBM para obtener información sobre los productos y servicios actualmente disponibles en su país. Las referencias a productos, programas o servicios de IBM no pretenden afirmar ni implicar que sólo puedan utilizarse esos productos, programas o servicios de IBM. En su lugar, se puede utilizar cualquier producto, programa o servicio funcionalmente equivalente que no infrinja ninguno de los derechos de propiedad intelectual de IBM. Sin embargo, la evaluación y la verificación del funcionamiento de cualquier producto, programa o servicio no IBM son responsabilidad del usuario.

IBM puede tener patentes o solicitudes de patentes pendientes que cubran el tema principal descrito en este documento. La posesión de este documento no confiere ninguna licencia sobre dichas patentes. Puede enviar sus consultas sobre licencias, escribiendo a:

IBM Director of Licensing  
IBM Corporation  
North Castle Drive  
Armonk, NY 10504-1785  
Estados Unidos

---

## Marcas registradas

Los términos siguientes son marcas registradas de International Business Machines Corporation en Estados Unidos o en otros países:

- IBM
- IBM 3534 Managed Hub
- StorWatch
- Netfinity

Java y todas las marcas registradas derivadas de Java son marcas registradas de Sun Microsystems, Inc. en Estados Unidos o en otros países.

Microsoft, Windows 98 y Windows NT son marcas registradas de Microsoft Corporation en Estados Unidos o en otros países.

UNIX es una marca registrada de The Open Group en Estados Unidos y en otros países.

Otros nombres de compañías, productos y servicios pueden ser marcas registradas o marcas de servicio de otras compañías.

HyperTerminal es una marca registrada de Hilgraeve Inc.

---

## Avisos sobre emisiones electrónicas

Este apartado proporciona avisos sobre emisiones electrónicas o declaraciones para Estados Unidos y otros países.

### Declaración de conformidad con la Federal Communications Commission (FCC)

Este equipo ha sido probado y se ha encontrado conforme con los límites para un dispositivo digital de Clase A, de acuerdo con la Sección 15 de las Normas de la FCC. Estos límites se han diseñado para proporcionar una protección razonable contra interferencias perjudiciales cuando el equipo se utiliza en un entorno comercial. Este equipo genera, utiliza y puede emitir radiaciones de energía de radiofrecuencia y, si no se instala y utiliza de acuerdo con el manual de instrucciones, puede provocar interferencias perjudiciales para las comunicaciones de radio. El uso de este equipo en un entorno residencial puede ocasionar interferencias perjudiciales, en cuyo caso se solicitará al usuario que corrija la interferencia, corriendo el usuario con los gastos.

Deben utilizarse cables y conectores debidamente apantallados y conectados a tierra para cumplir los límites de emisiones de la FCC. IBM no es responsable de las interferencias de radio o televisión provocadas por el uso de cables y conectores distintos de los recomendados, o por la realización de cambios o modificaciones en este equipo sin autorización. El hecho de efectuar cambios o modificaciones sin autorización puede anular la autorización del usuario para utilizar este equipo.

Este dispositivo cumple la Parte 15 de la Normativa de la FCC. El funcionamiento del mismo está sujeto a las dos condiciones siguientes: (1) este dispositivo no puede provocar interferencias perjudiciales, y (2) este dispositivo debe aceptar cualquier interferencia recibida, incluidas las interferencias que puedan ocasionar un funcionamiento no deseado.

### Declaración de conformidad con la normativa de industria de Canadá

Este apartado digital de la Clase A está conforme con el estándar ICES-003 de Canadá.

**Avis de conforme a la réglementation d'Industrie Canada:** Cet appareil numérique de la classe A est conforme à la norme NMB-003 du Canada.

### Declaración de conformidad con la Comunidad Europea

Este producto se ajusta a los requisitos de protección establecidos por la Directiva 89/336/EEC del Consejo de la UE según las leyes de los estados miembros en relación con la compatibilidad electromagnética. IBM no es responsable del no cumplimiento de los requisitos de protección que resulten de una modificación no recomendada del producto, incluyendo la utilización de tarjetas opcionales que no sean de IBM.

Este producto se ha probado y se ha encontrado conforme con los límites del Equipo de tecnología de la información de clase A según el Estándar europeo EN 55022. Los límites para el equipo de Clase A se obtuvieron para entornos comerciales e industriales para proporcionar una protección razonable contra interferencias con equipos de comunicaciones con licencia.

Atención: éste es un producto de Clase A. En un entorno doméstico, este producto puede causar interferencias de radio, en cuyo caso el usuario podría tener que adoptar las medidas adecuadas.

Cuando se utilicen cables apantallados o especiales (por ejemplo, cables rellenos con ferrita) en la prueba para obtener la conformidad del producto con los límites:

Deben utilizarse cables y conectores debidamente apantallados y conectados a tierra a fin de reducir la posibilidad de provocar interferencias en las comunicaciones de radio y TV y en otros equipos eléctricos o electrónicos. Estos cables y conectores pueden conseguirse en concesionarios autorizados de IBM. IBM no asume la responsabilidad de las interferencias provocadas por el uso de cables y conectores distintos de los recomendados.

## Sólo para Alemania

Zulassungsbescheinigung laut Gesetz ueber die elektromagnetische Vertraeglichkeit von Geraeten (EMVG) vom 30. August 1995.

Dieses Geraet ist berechtigt, in Uebereinstimmung mit dem deutschen EMVG das EG-Konformitaetszeichen - CE - zu fuehren.

Der Aussteller der Konformitaetserklaeung ist die IBM Deutschland.

Informationen in Hinsicht EMVG Paragraph 3 Abs. (2) 2:

Das Geraet erfuehlt die Schutzanforderungen nach EN 50082-1 und EN 55022 Klasse A.

EN 55022 Klasse A Geraete beduerfen folgender Hinweise:

Nach dem EMVG:

“Geraete duerfen an Orten, fuer die sie nicht ausreichend entstoert sind, nur mit besonderer Genehmigung des Bundesministeriums fuer Post und Telekommunikation oder des Bundesamtes fuer Post und Telekommunikation betrieben werden. Die Genehmigung wird erteilt, wenn keine elektromagnetischen Stoerungen zu erwarten sind.” (Auszug aus dem EMVG, Paragraph 3, Abs.4)

Dieses Genehmigungsverfahren ist nach Paragraph 9 EMVG in Verbindung mit der entsprechenden Kostenverordnung (Amtsblatt 14/93) kostenpflichtig.

Nach der EN 55022:

“Dies ist eine Einrichtung der Klasse A. Diese Einrichtung kann im Wohnbereich Funkstoerungen verursachen. in diesem Fall kann vom Betreiber verlangt werden, angemessene Massnahmen durchzufuehren und dafuer aufzukommen.”

Anmerkung:

Um die Einhaltung des EMVG sicherzustellen, sind die Geraete wie in den Handbuechern angegeben zu installieren und zu betreiben.

## Declaración de conformidad con la clase 1 del Japanese Voluntary Control Council for Interference (VCCI)

この装置は、情報処理装置等電波障害自主規制協議会（VCCI）の基準に基づくクラス A 情報技術装置です。この装置を家庭環境で使用すると電波妨害を引き起こすことがあります。この場合には使用者が適切な対策を講ずるよう要求されることがあります。

## Declaración de conformidad con la clase A de Taiwán

### 警告使用者:

這是甲類的資訊產品，在居住的環境中使用時，可能會造成射頻干擾，在這種情況下，使用者會被要求採取某些適當的對策。

---

## Licencia de IBM para el código de la máquina

Sea cual sea el método que utilice para la adquisición (por vía electrónica, mediante precarga, a través de un medio de instalación u otros) del BIOS, los Programas de utilidad, los Diagnósticos, los Controladores de dispositivos o el Microcódigo (que se denominan de forma conjunta "Código de la máquina"), el usuario acepta los términos de este Contrato mediante el uso inicial de una Máquina o un Código de la máquina. El término "Máquina" significa una máquina de IBM, sus dispositivos, conversiones, actualizaciones, elementos, accesorios o cualquier combinación de estos. La aceptación de los términos de esta licencia le autorizan a utilizar el Código de la máquina con el producto específico para el que se proporciona.

Los derechos de autor del Código de la máquina son propiedad de International Business Machines Corporation, de una de sus empresas subsidiarias ("IBM") o de un proveedor de IBM.

IBM concede al usuario una licencia no exclusiva para utilizar el Código de la máquina sólo con una Máquina. Como poseedor legítimo de una Máquina, el usuario puede efectuar el número de copias del Código de la máquina que sea necesario con fines de copia de seguridad, configuración y restauración de la Máquina. El usuario debe reproducir el aviso de derechos de autor y cualquier otro aviso relativo a la titularidad en cada copia del Código de la máquina que realice.

El usuario puede transferir a otra parte la propiedad del Código de la máquina y los medios de éste únicamente con la transferencia de la Máquina en que se utiliza el Código de la máquina. En ese caso, debe entregar a la otra parte una copia de estos términos y proporcionarle toda la documentación del usuario. Asimismo, deberá destruir todas las copias del Código de la máquina.

La licencia del Código de la máquina finaliza cuando el usuario ya no es el propietario legítimo de la Máquina.

En esta licencia no se concede ningún otro derecho.

Por ejemplo, el usuario no puede llevar a cabo ninguna de las acciones siguientes:

1. Copiar de ningún otro modo, mostrar, transferir, adaptar, modificar o distribuir en ninguna forma, el Código de la máquina, salvo en las formas que IBM autorice en la documentación del usuario de una Máquina.
2. Desensamblar, descompilar ni convertir de ningún otro modo el Código de la máquina, excepto según lo permitido por la legislación aplicable sin la posibilidad de renuncia contractual.
3. Sublicenciar o asignar la licencia del Código de la máquina.
4. Arrendar el Código de la máquina o una copia del mismo.

Los términos de la garantía de la Máquina de IBM, incorporados en este Contrato por referencia, se aplican al Código de la máquina. Consulte esta garantía para cualquier pregunta o reclamación sobre el rendimiento o la responsabilidad del Código de la máquina.

---

## Declaración de garantía limitada

International Business Machines Corporation Armonk, Nueva York, 10504

Las garantías proporcionadas por IBM en esta Declaración de garantía limitada (Formulario Z125-4753) únicamente son válidas para las Máquinas adquiridas originalmente por el usuario para su uso a IBM o a un distribuidor, sin fines de reventa. El término "Máquina" significa una máquina de IBM, sus dispositivos, conversiones, actualizaciones, elementos, accesorios o cualquier combinación de estos.

Salvo que IBM especifique lo contrario, las garantías siguientes sólo son válidas para el país en que se adquiriera la Máquina. Si tiene alguna pregunta al respecto, póngase en contacto con IBM o con un distribuidor.

Máquina: hub gestionado de canal de fibra SAN 3534 de IBM

Período de garantía: un año\*

\*Póngase en contacto con el establecimiento de adquisición para obtener información sobre el servicio de garantía.

## Estado de producción

Cada Máquina se fabrica a partir de piezas nuevas, o de piezas nuevas y usadas. En algunos casos, puede que la Máquina no sea nueva y que haya sido instalada anteriormente. Los términos de la garantía de IBM se aplican independientemente del estado de producción de la Máquina.

## Garantía de IBM para las máquinas

IBM garantiza que cada Máquina 1) carece de defectos en los materiales y en la mano de obra y 2) se ajusta a las especificaciones oficiales publicadas por IBM. El período de garantía de una Máquina es un período fijo específico que comienza en la Fecha de instalación de la misma. La fecha indicada en el recibo es la Fecha de instalación, a menos que IBM o el distribuidor le indiquen lo contrario.

Durante el período de garantía, IBM o el distribuidor, siempre que esté autorizado por IBM, prestarán el servicio de garantía con el tipo de servicio designado para la Máquina y gestionarán e instalarán los cambios técnicos que sean aplicables a la Máquina.

Para que IBM o un distribuidor presten el servicio de garantía para una función, conversión o actualización, IBM o el distribuidor pueden requerir que la Máquina en que está instalada 1) para determinadas Máquinas, sea la Máquina con número de serie designada, y 2) esté a un nivel de modificación técnica compatible con dicha función, conversión o actualización. Muchas de estas operaciones implican la extracción de piezas y su devolución a IBM. El usuario declara que todas las piezas sustituidas son genuinas y no han sufrido alteraciones. Una pieza que sustituye a una pieza extraída pasará a tener el estado del servicio de garantía de la pieza sustituida.

Si una Máquina no funciona tal como está estipulado durante el período de garantía, IBM o un distribuidor la repararán o sustituirán por otra cuyo funcionamiento sea, como mínimo, equivalente, sin cargo alguno. La pieza de repuesto puede no ser nueva, pero estará en perfecto estado de funcionamiento. Si IBM o el distribuidor no pueden reparar la Máquina, podrá devolverla al punto de venta y le será reembolsado su importe.

Si transfiere una Máquina a otro usuario, el servicio de garantía estará disponible para ese usuario durante el resto del período de garantía. Deberá entregar a ese usuario la prueba de compra y esta Declaración. Sin embargo, en el caso de las Máquinas con garantía de por vida, esta garantía no es transferible.

## Servicio de garantía

Para obtener servicio de garantía para la Máquina, póngase en contacto con un distribuidor o llame a IBM. En Estados Unidos, llame a IBM al número 1-800-IBM-SERV (426-7378). En Canadá, llame a IBM al número 1-800-465-6666. Es posible que le soliciten un recibo de compra.

IBM o el distribuidor proporcionarán ciertos tipos de servicios de reparación y sustitución, en el local del cliente o en un centro de servicio de IBM o del distribuidor, para restablecer el buen funcionamiento de una Máquina.

Cuando un tipo de servicio implica la sustitución de una Máquina o de una pieza, el elemento que IBM o el distribuidor sustituyen pasa a ser propiedad de aquéllos y la pieza de repuesto pasa a ser propiedad del usuario. El usuario declara que todos los elementos sustituidos son genuinos y no han sufrido alteraciones. La pieza de repuesto puede no ser nueva, pero estará en perfecto estado de funcionamiento y será, como mínimo, funcionalmente equivalente al elemento sustituido. La pieza de repuesto pasa a tener el estado de servicio de garantía del elemento sustituido. El usuario está de acuerdo en que, antes de que IBM o el distribuidor intercambien una Máquina o una pieza, extraerá todos los dispositivos, piezas, opciones, alteraciones y conexiones que no estén cubiertos por el servicio de garantía.

Asimismo, el usuario está de acuerdo en asegurarse de que la Máquina esté libre de obligaciones o restricciones legales que impidan su intercambio.

El usuario consiente lo siguiente:

1. Obtener la autorización del propietario para que IBM o su distribuidor presten servicio técnico a una Máquina que no sea de su propiedad; y
2. cuando corresponda, antes de que se preste el servicio, acuerda:
  - a. seguir los procedimientos para la determinación de problemas, análisis de problemas y petición de servicio proporcionados por IBM o el distribuidor;
  - b. proteger todos los programas, datos y recursos contenidos en una Máquina, e
  - c. informar a IBM o al distribuidor de los cambios de ubicación de una Máquina.

IBM es responsable de la pérdida o los daños de la Máquina mientras ésta se encuentra 1) en posesión de IBM o 2) en tránsito, en aquellos casos en que IBM es responsable de los gastos de transporte.

## **Ámbito de la garantía**

IBM no garantiza un funcionamiento ininterrumpido o libre de errores de una Máquina.

Las garantías pueden quedar anuladas por un mal uso, accidente, modificación, entorno físico u operativo no adecuado, mantenimiento incorrecto por parte del usuario, extracción o alteración de las etiquetas de identificación de la Máquina o de las piezas o anomalía ocasionada por un producto del que IBM no es responsable.

ESTAS GARANTÍAS SUSTITUYEN A TODAS LAS DEMÁS GARANTÍAS O CONDICIONES, EXPLÍCITAS O IMPLÍCITAS, INCLUIDAS, PERO SIN LIMITARSE A ELLAS, LAS GARANTÍAS IMPLÍCITAS O CONDICIONES DE COMERCIALIZACIÓN Y ADECUACIÓN A UN PROPÓSITO DETERMINADO. ESTAS GARANTÍAS LE OTORGAN DERECHOS LEGALES ESPECÍFICOS. PUEDE GOZAR TAMBIÉN DE OTROS DERECHOS PROPIOS DE CADA JURISDICCIÓN. EN ALGUNAS JURISDICCIONES NO ESTÁ PERMITIDA LA EXCLUSIÓN O LIMITACIÓN DE GARANTÍAS EXPLÍCITAS O IMPLÍCITAS, POR LO QUE ES POSIBLE QUE LA EXCLUSIÓN O LIMITACIÓN ANTERIOR NO LE CONCIERNA. EN ESTE CASO, LA DURACIÓN DE DICHAS GARANTÍAS ESTÁ LIMITADA AL PERÍODO DE GARANTÍA. DESPUÉS DEL PERÍODO MENCIONADO NO SE APLICARÁ NINGUNA GARANTÍA.

## Restricción de la responsabilidad

Pueden surgir circunstancias en las que, debido a una pieza de IBM defectuosa o a otro motivo, el usuario tenga derecho a reclamar daños a IBM. En cada caso, independientemente de la base sobre la que se reclamen daños a IBM (incluida la negligencia, el falseamiento u otros daños legales o contractuales), IBM no es responsable más que de:

1. Los daños por lesiones personales (incluida la muerte) y los daños en bienes raíces y bienes personales tangibles, y
2. el importe de cualquier otro daño directo real, hasta la cantidad mayor entre 100.000 dólares estadounidenses y los cargos (si son constantes, se aplican los cargos de 12 meses) para la Máquina objeto de la reclamación.

BAJO NINGUNA CIRCUNSTANCIA IBM ES RESPONSABLE EN LOS CASOS SIGUIENTES: 1) RECLAMACIONES EFECTUADAS AL USUARIO POR TERCERAS PARTES DE PÉRDIDAS O DAÑOS (SALVO LAS COMPRENDIDAS EN EL PRIMER PUNTO RELACIONADO ANTERIORMENTE); 2) PÉRDIDA O DAÑOS EN LOS REGISTROS O DATOS DEL USUARIO O 3) DAÑOS ESPECIALES, INCIDENTALES O INDIRECTOS, O CUALQUIER DAÑO ECONÓMICO CONSECUENTE (INCLUIDA LA PÉRDIDA DE BENEFICIOS O DE AHORROS), AUNQUE IBM O EL DISTRIBUIDOR ESTÉN INFORMADOS DE LA POSIBILIDAD DE QUE SE PRODUZCAN. EN ALGUNAS JURISDICCIONES NO ESTÁ PERMITIDA LA EXCLUSIÓN O LIMITACIÓN DE LOS DAÑOS INCIDENTALES O CONSECUENTES, POR LO QUE ES POSIBLE QUE LA LIMITACIÓN O EXCLUSIÓN ANTERIOR NO LE CONCIERNA.



# Índice

## Números

- 3534, instalación del hub gestionado 1
- 3534, verificación de la instalación del hub gestionado 17
- 9306 Netfinity, bastidores 5

## A

- a quién va dirigida esta guía ix
- acerca de esta guía ix
- actualización del firmware, procedimiento 18
- adaptadores de bus de sistema principal soportados 1
- Alemania, apéndice de conformidad 23
- alimentación CA, quitar vii
- ámbito de la garantía 27
- aviso de precaución de la batería viii
- avisos 21
- avisos de seguridad traducidos vii
- avisos de seguridad y medioambientales vii
- avisos sobre emisiones electrónicas 22

## B

- bajar firmware 17
- bajar firmware desde un sistema principal UNIX 18
- bajar firmware desde un sistema principal Windows 19
- bastidor, instalación 3
- bastidores 9306 Netfinity 5
- bastidores con puertas de montaje empotrado 5
- batería, aviso de precaución viii

## C

- CA, quitar la alimentación vii
- cliente, lista de comprobación previa a la instalación 1
- comprobación externa de la máquina vii
- Comunidad Europea, declaración de conformidad 22

## D

- daemon de RSH 19
- declaración de conformidad con la Comunidad Europea 22
- declaración de conformidad con la normativa de industria de Canadá 22
- declaración de garantía limitada 25
- dirección IP, establecimiento 8
- dirección IP por omisión 9

## E

- electrónicas, avisos sobre emisiones 22
- emisiones electrónicas, avisos 22
- empotrado, bastidores con puertas de montaje 5
- establecimiento de la dirección IP 8
- establecimiento de la dirección IP mediante el puerto Ethernet 10

- establecimiento de la dirección IP mediante el puerto serie 11
- establecimiento del nombre del hub gestionado 9
- estado de producción 25
- Ethernet 9
- Ethernet, establecimiento de la dirección IP mediante el puerto 10
- externa, comprobación de la máquina vii

## F

- faltan, piezas 3
- Federal Communications Commission (FCC), declaración de conformidad 22
- firmware, bajar 17
- firmware, procedimiento de actualización 18

## G

- garantía, ámbito 27
- garantía de IBM para las máquinas 26
- garantía limitada, declaración 25
- GBIC, instalación 8
- generales, restricciones viii
- gestionado, establecimiento del nombre del hub 9
- gestionado 3534, instalación del hub 1
- gestionado 3534, verificación de la instalación del hub 17
- guía, a quién va dirigida ix

## H

- herramientas necesarias 4
- hub gestionado, establecimiento del nombre 9
- hub gestionado 3534, instalación 1
- hub gestionado 3534, verificación de la instalación 17
- HyperTerminal 11

## I

- IBM para el código de la máquina, licencia 24
- IBM para las máquinas, garantía 26
- inspección de seguridad vii
- instalación, instrucciones 3
- instalación con configuración de montaje en bastidor 3
- instalación con configuración de sobremesa 3
- instalación de la GBIC 8
- instalación del hub gestionado 3534 1
- instalación del hub gestionado 3534, verificación 17
- instrucciones de instalación 3
- IP, dirección por omisión 9

## J

- Japanese Voluntary Control Council for Interference (VCCI), declaración de conformidad con la clase 1 24

## L

- láser, seguridad viii
- licencia de IBM para el código de la máquina 24

limitada, declaración de garantía 25  
lista de comprobación previa a la instalación del cliente 1

## M

máquina, comprobación externa vii  
máquina, licencia de IBM para el código 24  
máquinas, garantía de IBM 26  
marcas registradas 21  
máscara de subred 10  
medioambientales, avisos de seguridad y vii

## N

necesarias, herramientas 4  
Netfinity, bastidores 9306 5  
normativa de industria de Canadá, declaración de conformidad 22

## P

piezas, recambio 3  
piezas que faltan 3  
plataformas soportadas 1  
por omisión, dirección IP 9  
precaución de la batería, aviso viii  
previa a la instalación del cliente, lista de comprobación 1  
producto, reciclado viii  
publicaciones relacionadas ix

## Q

quitar la alimentación CA vii

## R

recambio de piezas 3  
reciclado del producto viii  
relacionadas, publicaciones ix  
responsabilidad, restricción 28  
restricción de la responsabilidad 28  
restricciones de uso viii  
restricciones generales viii  
RSH, daemon 19

## S

seguridad, avisos traducidos vii  
seguridad, inspección vii  
seguridad láser viii  
seguridad y medioambientales, avisos vii  
serie, establecimiento de la dirección IP mediante el puerto 11  
servicio de garantía 26  
sitios web ix  
sobremesa, instalación 3  
soportadas, plataformas 1  
soportados, adaptadores de bus de sistema principal 1

StorWatch Specialist 9

## T

Taiwán, declaración de conformidad con la clase A 24  
Telnet 9  
traducidos, avisos de seguridad vii

## U

UNIX, bajar firmware desde un sistema principal 18  
uso, restricciones viii

## V

verificación de la instalación del hub gestionado 3534 17

## W

Windows, bajar firmware desde un sistema principal 19

---

# Hoja de Comentarios

## Hub gestionado de canal de fibra SAN 3534 de IBM Procedimiento de instalación del hub gestionado

### Número de Publicación SY10-8052-00

Por favor, sírvase facilitarnos su opinión sobre esta publicación, tanto a nivel general (organización, contenido, utilidad, facilidad de lectura,...) como a nivel específico (errores u omisiones concretos). Tenga en cuenta que los comentarios que nos envíe deben estar relacionados exclusivamente con la información contenida en este manual y a la forma de presentación de ésta.

Para realizar consultas técnicas o solicitar información acerca de productos y precios, por favor diríjase a su sucursal de IBM, business partner de IBM o concesionario autorizado.

Para preguntas de tipo general, llame a "IBM Responde" (número de teléfono 901 300 000).

Al enviar comentarios a IBM, se garantiza a IBM el derecho no exclusivo de utilizar o distribuir dichos comentarios en la forma que considere apropiada sin incurrir por ello en ninguna obligación con el remitente.

Comentarios:

Gracias por su colaboración.

Para enviar sus comentarios:

- Envíelos por correo a la dirección indicada en el reverso.

Si desea obtener respuesta de IBM, rellene la información siguiente:

Nombre

Dirección

Compañía

Número de teléfono

Dirección de e-mail

IBM, S.A.  
National Language Solutions Center  
Avda. Diagonal,571  
08029 Barcelona  
España





Printed in Denmark by IBM Danmark A/S

SY10-8052-00



---

## Part 6. Taiwan

This part contains the Taiwanese translation of the *IBM 3534 SAN Fibre Channel Managed Hub, Translations for Installing the Managed Hub*.





IBM 3534 SAN Fibre Channel Managed  
Hub



# 安裝可管理的集線器

**注意！**

在使用本資訊及其支援的產品之前，請先閱讀第vii頁的『安全與環境注意事項』以及第17頁的『注意事項』下的一般資訊。

**第一版（2000年5月）**

下列地址並未提供庫存的出版品。如果您需要額外的 IBM 出版品，請聯絡您的 IBM 業務代表，或者寫信到您當地的 IBM 分公司。

本出版品後面提供了一份讀者意見表。如果找不到這個表格，請將您的意見寄至下列地址：

IBM 公司  
中文支援中心  
台北市南港區  
三重路 19-11 號  
E 棟 9 樓

您也可以將意見以電子方式傳送到 [starpubs@us.ibm.com](mailto:starpubs@us.ibm.com)

當您傳送資訊給 IBM 時，即授與 IBM 非獨佔的權利，IBM 得以任何適當的方式來使用或分送這項資訊，而不必對您負責。

# 目錄

圖	v
<b>安全與環境注意事項</b>	vii
翻譯的安全注意事項	vii
安全檢驗	vii
移除交流電源	vii
外部機器檢查	vii
電池注意事項	viii
產品回收	viii
雷射安全	viii
一般限制	viii
使用限制	viii
<b>關於本手冊</b>	ix
本書適用對象	ix
相關出版品	ix
網站	ix
<b>安裝 3534 受管理集線器</b>	1
客戶前置安裝檢查清單	1
安裝指示	2
桌面安裝	2
框架裝載安裝	3
安裝 GBIC	6
設定 IP 位址	7
設定受管理集線器名稱	7
設定使用乙太網路連接埠的 IP 位址	8
設定使用序列埠的 IP 位址	9
驗證 3534 受管理集線器安裝	14
下載韌體	14
韌體升級程序	14
<b>注意事項</b>	17
商標	17
電子放射注意事項	17
聯邦通信委員會 (FCC) 聲明	17
加拿大工業標準聲明	18
歐盟相容性 (European Community Compliance) 聲明	18
德國	19
日本自主規制協議會 (VCCI) 類別 1 聲明	19
臺灣類別 A 標準聲明	20
IBM 機器授權碼	20
有限保證聲明	20
產品狀態	21
IBM 機器保證	21
保證服務	21
保證範圍	22
賠償限制	22
<b>索引</b>	23





1. 移動滑片 . . . . .	4
2. 將滑片的移動部分和鎖定握把裝載到「3534 受管理集線器」. . . . .	4
3. 裝載滑軌的固定部分並旋緊鎖定握把 . . . . .	5
4. 將滑片插入框架滑軌 . . . . .	6
5. GBIC 連接埠的位置 . . . . .	6
6. GBIC 正面. . . . .	7
7. 3534 受管理集線器. . . . .	7
8. <b>switchName</b> 指令範例 . . . . .	8
9. 「連線說明」視窗 . . . . .	9
10. "Connect to" 視窗. . . . .	10
11. COM1 內容 - "Port Settings" 視窗 . . . . .	11
12. Settings - Emulation 視窗 . . . . .	12
13. HyperTerminal 階段作業 . . . . .	13



---

## 安全與環境注意事項

本手冊中有許多安全注意事項。「危險」注意事項是警告您要注意可能造成死亡或嚴重傷害的狀況和程序。「注意」事項是警告您要注意不會造成致命或極端危險之傷害的狀況和程序。「注意」事項表示可能會對程式、裝置、系統或資料造成損壞。

---

### 翻譯的安全注意事項

本手冊中有關安全注意事項的翻譯是包含在另一本書籍中。請參閱 *IBM External Devices Safety Information* (SA26-7003)，以取得危險注意事項的翻譯。

在安全資訊手冊可以很容易找到翻譯的注意事項，因為它們是以數字順序排列。請查詢下列範例中的 ID 號碼 (72XXD201)。

#### 危險

未正確接線的電源插座可能會在系統或連接至系統的金屬零件上產生危險電壓。貴客戶有責任確定該插座具有正確地接線及接地，以避免電擊。(72XXD201)

#### 注意:

「注意」事項表示可能會造成中等或輕微傷害的危險。(RSFTC228)

---

### 安全檢驗

執行下列安全檢查來找出不安全的狀況。請注意未包含在安全檢查中的潛在危險。如果有不安全的情況，請判斷其危險程度；以及您是否應該在更正問題之前繼續進行。

#### 移除交流電源

請執行下列步驟來移除交流電源。

1. 執行控制系統關機。
2. 將電源線與電源切斷。

#### 外部機器檢查

請執行下列外部機器檢查。

**警告：** IBM 僅授權受過訓練的服務人員來開啓本機器。本機器應該在工廠進行維修服務。

1. 驗證所有的外殼都存在，而且並未損壞。
2. 確定所有的卡榫和樞紐的操作狀況正常。
3. 如果 3534 受管理集線器並未安裝在框架櫃中，請檢查鬆脫或斷裂的支腳。
4. 檢查電源線是否損壞。
5. 檢查外部信號接線是否損壞。
6. 檢查外殼是否有銳利的邊緣，損壞，或使得裝置內部組件外曝的修改。
7. 更正所找到的任何問題。

---

## 電池注意事項

鋰電池可能會造成火災、爆炸或嚴重的燒傷。請勿將電池充電、拆解，加熱到 100°C (212°F) 以上、焊接、燃燒，或者將電池內含物置於水中。請勿讓孩童接觸電池。請用為系統指定的電池產品編號來更換之。使用其他電池可能會造成火災或爆炸。電池接頭是有極性的；請勿嘗試將極性反轉。請根據當地法規來棄置電池。

---

## 產品回收

本主機包含可回收的材料。您應該根據所在地的法規來回收這些物資，送往處理這些物資的場所。在某些地區，IBM 提供有產品回收計劃，可讓這些產品得到適當的處理。請聯絡您的 IBM 業務代表以取得其他資訊。

---

## 雷射安全

本機器可能包含單一模式或多重模式的收發器，這些都是第一類 (Class 1) 的雷射產品。收發器符合 IEC 825-1 和 FDA 21 CFR 1040.10 及 1040.11。收發器必須在建議的操作條件下運作。

---

## 一般限制

只有當模組在指定的溫度和電壓限制內操作時，分類才是有效的。使用模組的系統必須提供電源供應保護，以保證當 +3.3 V/+5 V 的電源達到超出最大建議操作限制時，系統電源會停止供電。模組的操作溫度必須介於建議操作限制所給定的溫度範圍內。這些限制可以保證雷射的安全。

---

## 使用限制

模組的光學連接埠的尾端必須是光學接頭或防塵插頭。



---

## 關於本手冊

IBM 3534 SAN Fibre Channel Managed Hub Translations for Installing the Managed Hub 包含了用來安裝 IBM 3534 SAN Fibre Channel Managed Hub 的資訊，亦即 *IBM 3534 SAN Fibre Channel Managed Hub Managed Hub Installation and Service Guide* (SY27-7616) 中的 “Chapter 2. Installing the 3534 Managed Hub”。

---

## 本書適用對象

本書的適用對象包括：

- 受過訓練的「服務支援代表」(SSR)，以便解決和診斷 IBM 3534 SAN Fibre Channel Managed Hub 的硬體問題。
- 正在安裝和設定 IBM 3534 SAN Fibre Channel Managed Hub 的客戶。IBM 3534 SAN Fibre Channel Managed Hub 是一種「客戶安裝主機」(CSU)。使用本手冊的安裝這一節之前，您應該知道如何為自己的網路和適用的軟體提供服務。您也必須知道如何用安全的方式使用電子元件。

**重要事項：**在本手冊中，除非另有指示，否則交換器 (switch) 這個術語是指交換器和集線器。

**重要事項：**在本手冊中，「IBM StorWatch SAN Fibre Channel Managed Hub Specialist」簡稱為「StorWatch Specialist」。

---

## 相關出版品

您可以在下列出版品中找到和「3534 受管理集線器」相關的其它資訊：

- *IBM 3534 SAN Fibre Channel Managed Hub Managed Hub Installation and Service Guide*, SY27-7616
- *IBM 3534 SAN Fibre Channel Managed Hub User's Guide*, GC26-7391
- *IBM External Devices Safety Information*, SA26-7003
- *Electrical Safety for IBM Customer Engineers*, S229-8124

其他可能提供相關資訊的說明文件是「Fibre Channel Standards」；請參閱『網站』。

---

## 網站

有關儲存體產品的其它資訊，請造訪下列網站：

<http://www.ibm.com/storage/fchub>

有關 fibre channel 標準的詳細資訊，請參閱「Fibre Channel 協會」(Fibre Channel Association) 網站：

<http://www.fibrechannel.com>



## 安裝 3534 受管理集線器

**警告:** 在本章中，除非另有指示，否則交換器（switch）這個術語是指交換器和集線器。

### 客戶前置安裝檢查清單

開始安裝「3534 受管理集線器」之前，請務必檢閱這份檢查清單。根據您連接「3534 受管理集線器」的主電腦平台而定，有些步驟可能有所不同。您應該具有「3534 受管理集線器」的 IP 位址，並且已經安排好其他安裝活動。表1顯示的是前置安裝檢查清單。

表 1. 客戶前置安裝檢查清單

步驟	客戶的動作或決策	說明及參考
1	<ul style="list-style-type: none"><li>• 桌面安裝</li><li>• 框架裝載安裝</li></ul>	決定要將「3534 受管理集線器」安裝到桌面或以框架裝載。
2	需要安裝主電腦平台 OS Service Pack。例如：Windows NT® 4.0, Service Pack（或更新的版本），以及必要的緊急修訂。	有關需要主電腦平台程式碼更新之支援平台的現行清單，以及如何取得它們的資訊，請造訪下列網站：  <a href="http://www.ibm.com/storage/fchub">http://www.ibm.com/storage/fchub</a>  或聯絡 IBM 技術支援。
3	必要的光纖通道匯流排配接卡、HBA BIOS 和裝置驅動程式。	關於支援的 HBA 以及必要的 BIOS 和裝置驅動程式清單，就必須造訪下列網站：  <a href="http://www.ibm.com/storage/fchub">http://www.ibm.com/storage/fchub</a>
4	確定要安裝的磁碟或磁帶系統是相容的。  已安裝或更新裝置驅動程式。	通常是在目標裝置安裝期間由客戶服務代表執行。  有關支援的系統和必要的 BIOS 及裝置驅動程式清單，就必須造訪下列網站：  <a href="http://www.ibm.com/storage/fchub">http://www.ibm.com/storage/fchub</a>
5	所有的主電腦光纖通道接線已經： <ul style="list-style-type: none"><li>• 與產品一起訂購或已前置安裝，並且完成檢查</li><li>• 已標上主電腦系統識別字和「3534 受管理集線器」識別字</li></ul>	請參閱 HBA 所附的 HBA 規格，以決定必要的接線、主電腦系統識別字和「3534 受管理集線器」識別字。例如，標註想要的埠或區域位置。

表 1. 客戶前置安裝檢查清單 (繼續)

6	<p>決定以下的「3534 受管理集線器」乙太網路連接埠配置決策。</p> <p><b>請注意：</b>請儲存此配置以供日後參考</p> <ul style="list-style-type: none"> <li>• 靜態 IP 位址</li> </ul> <p>_____</p> <ul style="list-style-type: none"> <li>• Netmask (必要時)</li> </ul> <p>_____</p> <p>如果「3534 受管理集線器」和伺服器* 不是在同一個 TCP/IP 次網路上，請指定預設的網路閘道位址及 (或) 路徑表格登錄。</p>	<p><b>請注意：</b>使用不正確乙太網路參數可能會使乙太網路發生問題。</p> <p>從您的網路管理者那裡取得「3534 受管理集線器」乙太網路參數。</p>
7	<p>使用 Telnet 指令 <b>switchName</b> 來設定受管理的集線器名稱。</p>	<p>受管理集線器的名稱必須解析成使用 StorWatch™ Specialist 的主電腦系統上的網際網路通訊協定 (IP) 位址。即使在透過 Web 瀏覽器使用 IP 位址來連接受管理集線器時，也應該這麼做。您的網路管理者應該將「受管理集線器」的 IP 位址新增至網域名稱伺服器 (DNS) 或網路資訊服務 (NIS)。或者，您可以使用主電腦檔案來執行區域名稱解析。如果沒有這麼做，在使用 Web 瀏覽器來管理受管理集線器時，效能會變得很差。</p>
8	<p>連接伺服器*到網路集線器的乙太網路接線。</p>	
9	<p>連接網路集線器到安裝「3534 受管理集線器」所在的乙太網路接線。</p>	無
<p>*此處所用的<b>伺服器</b>一詞是指將用於 StorWatch SAN Fibre Channel Managed Hub Specialist 的電腦。</p>		

## 安裝指示

「3534 受管理集線器」可以採用框架裝載配置或桌面配置。安裝「3534 受管理集線器」和電源線之前，若採用桌面安裝，請安裝桌面橡膠裝載腳墊，或者將「3534 受管理集線器」安裝在框架內。

**註：**如果缺少零件，請造訪下列網站，以取得零件更換的電話號碼。

<http://www.ibm.com/storage/fchub>

## 桌面安裝

「3534 受管理集線器」在出貨時是設定為桌面配置。同時也提供了有黏性的橡皮腳墊。請將它們黏到「3534 受管理集線器」的底部中，有四個凹陷的地方。若要套用橡皮腳墊，請執行下列步驟：

1. 將「3534 受管理集線器」上下顛倒，底端在上。
2. 清除四個凹陷處的灰塵。
3. 從出貨套件所附的紙片取出橡膠腳墊，分別黏到每一個凹陷的地方。

4. 將四個橡膠腳墊緊緊地貼住。
5. 將「3534 受管理集線器」放回正常的直立位置，然後放到打算安置的地方。

## 框架裝載安裝

開始框架裝載安裝之前，請閱讀下列注意事項：

**警告：** 請勿將框架安裝到內部框架週遭溫度將超過 40°C 的地方，或是不通風的地方。氣流是從機身背後流向前方；請勿擋住框架前方或後方。

**警告：** 以框架方式裝載這個裝置時，請確定從裝置接出的光纖電纜在安裝之後不會被框架的軌道或硬體壓到！

**註：** 若是使用齊平裝載軌道門的框架，例如 9306 Netfinity® 框架，您可有下列選擇：

- 您可以使用此裝置來替換 3523 Netfinity Fibre Channel Hub，方法是安裝橡膠腳墊（請參閱第2頁的『桌面安裝』），然後將「3534 受管理集線器」放置在原先安置 3523 的框架托盤上。
- 您可以使用框架裝載滑片，將「3534 受管理集線器」連接到一組裝載孔，這些孔會深入框架 3 吋，可省去握把的安裝。

### 危險

接線錯誤的電源插座可能會在系統金屬零件或是在連接到系統的產品上產生極大的電壓。客戶必須確定插座的接線正確並且已接地，以避免遭到電擊。  
(72XXD201)

本主機需要 2 安培的電流（輸入電壓為 110 - 127 V 交流電），或是 1 安培的電流（輸入電壓為 200 - 240 V 交流電）。請確定在將設備連接到供電電路時，電路的超載不會危及供電線路或超出線路保護。

**重要事項：** 以下是框架裝載安裝所需的工具：

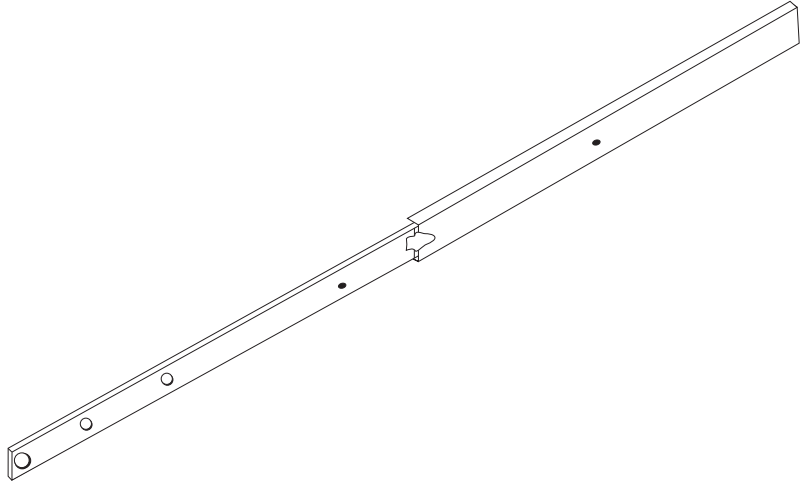
- 標準的一字形螺絲起子
- 螺絲帽起子（11/32 或板手）

**重要事項：** 開始框架裝載安裝之前，請執行下列步驟：

- 閱讀步驟 1 到步驟第6頁的4。
- 找出出貨容器中的框架裝載滑片及裝載托架套件。

「3534 受管理集線器」的設計是要安裝到 EIA 標準的 19 英吋框架。如果採用框架裝載配置來安裝「3534 受管理集線器」，請執行下列步驟：

1. 將移動滑片和鎖定握把裝載到「3534 受管理集線器」。
  - a. 找出兩個滑片並且將它們拆開。根據第4頁的圖1的說明，完全展開滑片，按住釋放鈕，然後拉開滑片。

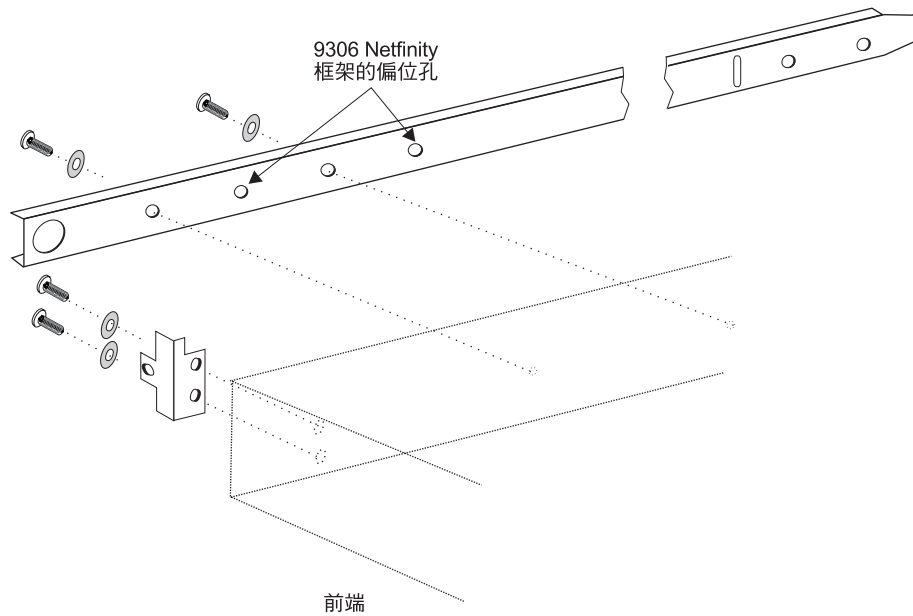


SL08933N

圖 1. 移動滑片

**警告:** 若是使用齊平裝載軌道開口的框架（例如 9306 Netfinity 框架），您可以使用框架裝載滑片，將「3534 受管理集線器」连接到一組裝載孔，這些孔會深入框架 3 吋，可省去握把的安裝。

- b. 將滑片的移動部分及鎖定握把裝載到「3534 受管理集線器」，請參照圖2。請使用小型袋中的裝載握把所附的螺絲。先安裝滑片的可移動部分，然後裝載鎖定握把。



SL08914N

圖 2. 將滑片的移動部分和鎖定握把裝載到「3534 受管理集線器」

2. 將滑片的固定部分裝載到框架中。

- a. 打開框架裝載托架套件，將托架裝載到滑片較寬的固定部分（共有四個固定部分）。一個托架要裝載到滑片固定部分的每一端。將裝載螺絲留在後面的托架，只要稍微旋緊即可。安裝「3534 受管理集線器」之後，您會將裝載螺絲旋緊。前方的托架在旋緊時，會將托架保持在外部固定滑片端前方大約 5/8 英寸（15 公釐）的地方。這樣可以保留一些空間來安裝鎖定握把。

**重要事項：**裝載時請確定「3534 受管理集線器」在框架中的位置正確。您可能需要鬆掉框架裝載托架上的四個螺絲，檢查對齊的情況，然後視需要旋緊螺絲來調整對齊的情況。

- b. 使用所附的框架裝載夾和較長的螺絲來將滑片的固定部分裝載到框架中的垂直裝載架。請參閱圖3。將三個框架夾安裝在框架前方及後方。前方中間的框架夾子是用來鎖定握把。

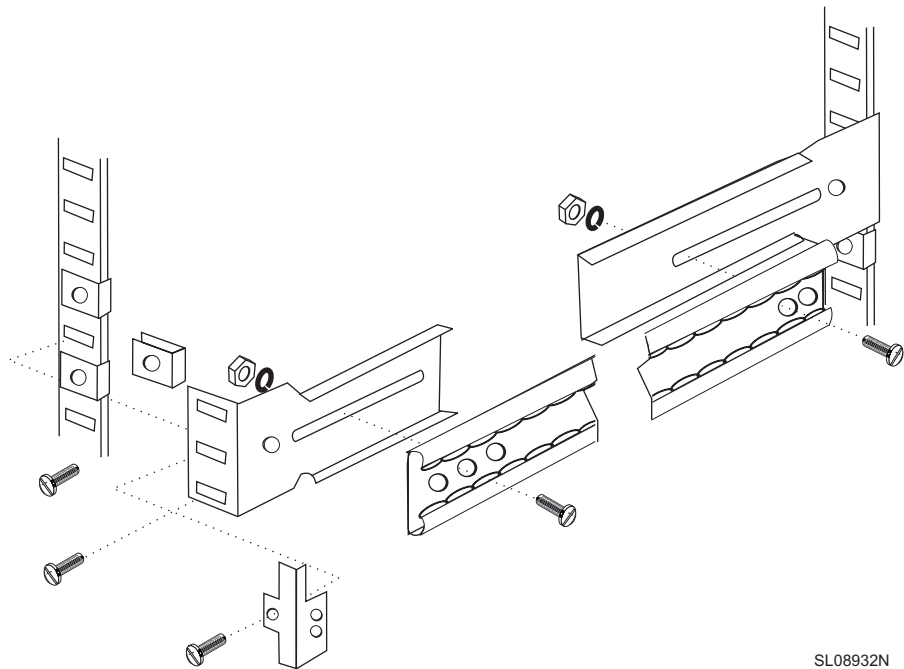


圖 3. 裝載滑軌的固定部分並旋緊鎖定握把

3. 將「3534 受管理集線器」以及滑片的移動部分插入框架中的滑片固定部分。
  - a. 提起「3534 受管理集線器」，並且將在「3534 受管理集線器」上所裝載的滑軌部分對到框架中所裝載的接收滑軌部分，（如第6頁的圖4所示）。將「3534 受管理集線器」推入框架中。

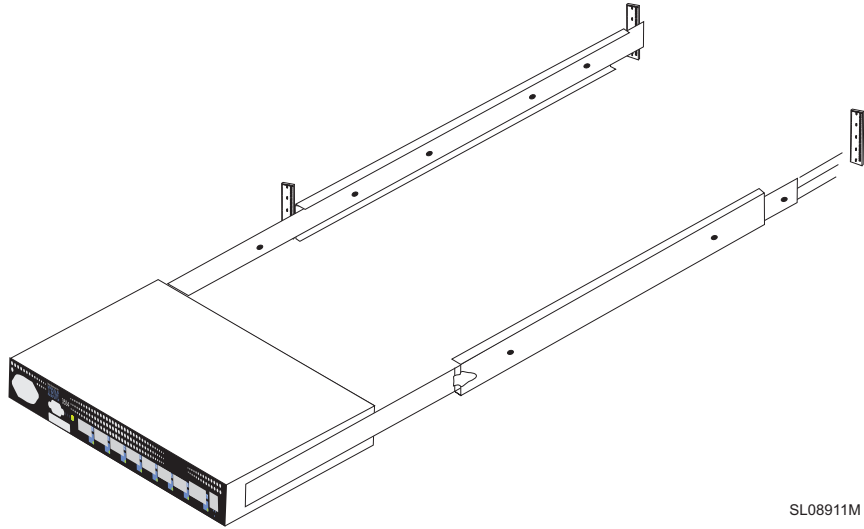


圖 4. 將滑片插入框架滑軌

- b. 在滑軌上來回滑動「3534 受管理集線器」幾次，確定它可以輕易移動。將「3534 受管理集線器」局部向前移動，然後旋緊後方托架上尚未完全鎖緊的螺絲（參閱步驟 第5頁的2a）。
  4. 將「3534 受管理集線器」完全推入框架中。使用鎖定握把所附的剩餘螺絲，將「3534 受管理集線器」完全鎖定到框架中。請參閱第5頁的圖3。
- 這時您已經完成框架裝載安裝作業。

## 安裝 GBIC

「3534 受管理集線器」附有七個固定的光纖連接埠和一個可插入的 GBIC 埠（如圖5所示）。

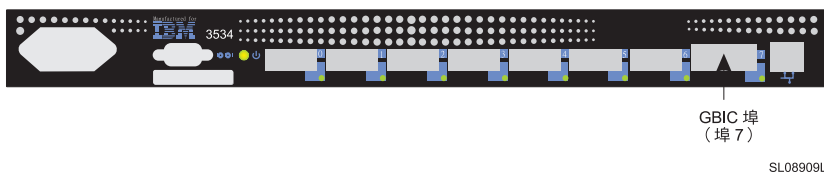


圖 5. GBIC 連接埠的位置

第7頁的圖6顯示了 GBIC 的正面，並且移除了防塵橡皮插頭。在插入光纖通道接線之前，應該將這個插頭插入 GBIC 中。GBIC 的另一端必須插入到「3534 受管理集線器」中。





SL08995M

圖 6. GBIC 正面

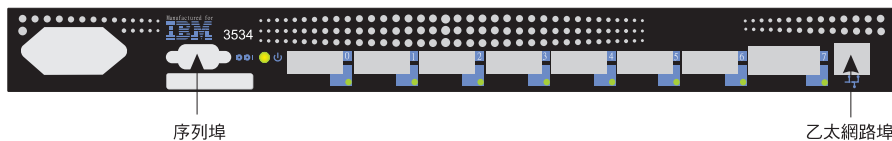
## 設定 IP 位址

IP 位址可以透過序列埠或乙太網路埠來設定。如果可能的話，請透過序列埠來設定 IP 位址，這是建議的方法。

「3534 受管理集線器」在出廠時的預設 IP 位址是 10.77.77.77。這個 IP 位址會列印在「3534 受管理集線器」正上方邊緣的標籤上。這個位址適用於外接式乙太網路連線。

可能的話，請使用這個預設位址來連接區域網路（LAN），以建立「3534 受管理集線器」的網路連線。請參閱圖7以取得「3534 受管理集線器」的乙太網路和序列埠位置。您可以在稍後變更這個 IP 位址，方法是利用 Telnet 指令，或是從任何伺服器所發出，並且可存取同一個 LAN 的 StorWatch Specialist。這是設定 IP 位址最簡單的方式。您必須詢問系統管理者是否可以使用預設位址。

如果不能使用預設 IP 位址，就必須使用乙太網路埠或序列埠來設定 IP 位址。使用在前置安裝檢查清單中由系統管理者所提供的資訊來設定 IP 位址。



SL08910L

圖 7. 3534 受管理集線器

## 設定受管理集線器名稱

第8頁的圖8顯示的是 **switchName** 指令，它可以設定「3534 受管理集線器」的名稱。受管理集線器的新名稱必須按照指示用引號括住。指令語法是：

```
switchName "new_name_of_hub"
```

```
switch:admin> switchName "sw3"  
正在更新快閃...
```

圖 8. **switchName** 指令範例

如果您打算使用 StorWatch Specialist 來透過 Web 瀏覽器連接受管理集線器，這個步驟是非常重要的。這個名稱必須解析成您的網路管理者在從屬站系統（用來透過 StorWatch Specialist 以連接受管理集線器）所指定的 IP 位址。如果沒有這麼做，在使用 Web 瀏覽器來管理受管理集線器時，效能會變得很差。

**註：** 這個指令只適用於管理層次的使用者。  
「3534 受管理集線器」名稱的長度和格式有特定的限制。

## 設定使用乙太網路連接埠的 IP 位址

在嘗試設定使用乙太網路連接埠的 IP 位址之前，系統管理者應該提供與「3534 受管理集線器」位於同一次網路的主電腦。次要的位址應該設定成 10.77.77.1（或類似的「3534 受管理集線器」位址以外的未指定之可用位址），遮罩為 255.255.255.0。

如果不能使用這個方法，請跳至第9頁的『設定使用序列埠的 IP 位址』。

1. 將現存的乙太網路 10/100BaseT LAN 接線插入「3534 受管理集線器」前方的 RJ-45 接頭，將 LAN 連接到「3534 受管理集線器」前方面板。
2. 將「3534 受管理集線器」插入電源插座中以開啓它。確定電源線已經完全插入裝置前方，而且綠色的 LED 已經亮起。請等待為時 2 分鐘的診斷程序完成。
3. 從連接到 LAN 的伺服器中，鍵入 Telnet IP 位址。如果這是第一次安裝，請使用在「3534 受管理集線器」左上角的標籤中找到的預設 IP 位址。如果在使用標籤上的 IP 位址之前已經安裝過「3534 受管理集線器」，請繼續使用標籤上的現行位址。如果先前沒有使用標籤上的 IP 位址，就需要從系統管理者那裡取得現行的 IP 位址。  
「3534 受管理集線器」的回應如下。請針對每一個提示，鍵入下列資訊，然後按 Enter 鍵。
  - a. Login: admin  
「3534 受管理集線器」在出貨時就使用這個預設的管理者名稱。
  - b. Password: password  
這是預設的密碼。您在鍵入密碼時不會看到密碼。
  - c. Ipaddress:admin> ipAddrSet  
這是設定 IP 位址的指令。
  - d. 乙太網路 IP 位址 [會顯示現行位址]: 新的 IP 位址。  
這是系統管理者所提供的新位址。
  - e. 乙太網路次網路遮罩 [會顯示現行的次網路遮罩或者顯示「無」]: 新的次網路遮罩或按 Enter 鍵。  
這是系統管理者所提供的新「次網路」遮罩，如果不需要，請按 Enter 鍵。
  - f. 光纖通道 IP 位址 [無]: 按 Enter 鍵。  
光纖通道次網路遮罩 [無]: 按 Enter 鍵。
  - g. 閘道位址 [現行閘道位址或「無」]: 輸入新的閘道位址或按 Enter 鍵。  
這是系統管理者所提供的「閘道」位址，如果不需要，請按 Enter 鍵。
  - h. Ipaddress:admin> logout

4. 這個指令會結束 Telnet 階段作業。您已經完成「3534 受管理集線器」的安裝。如果要檢查「3534 受管理集線器」的光纖通道連接埠，請參閱第14頁的『驗證 3534 受管理集線器安裝』。

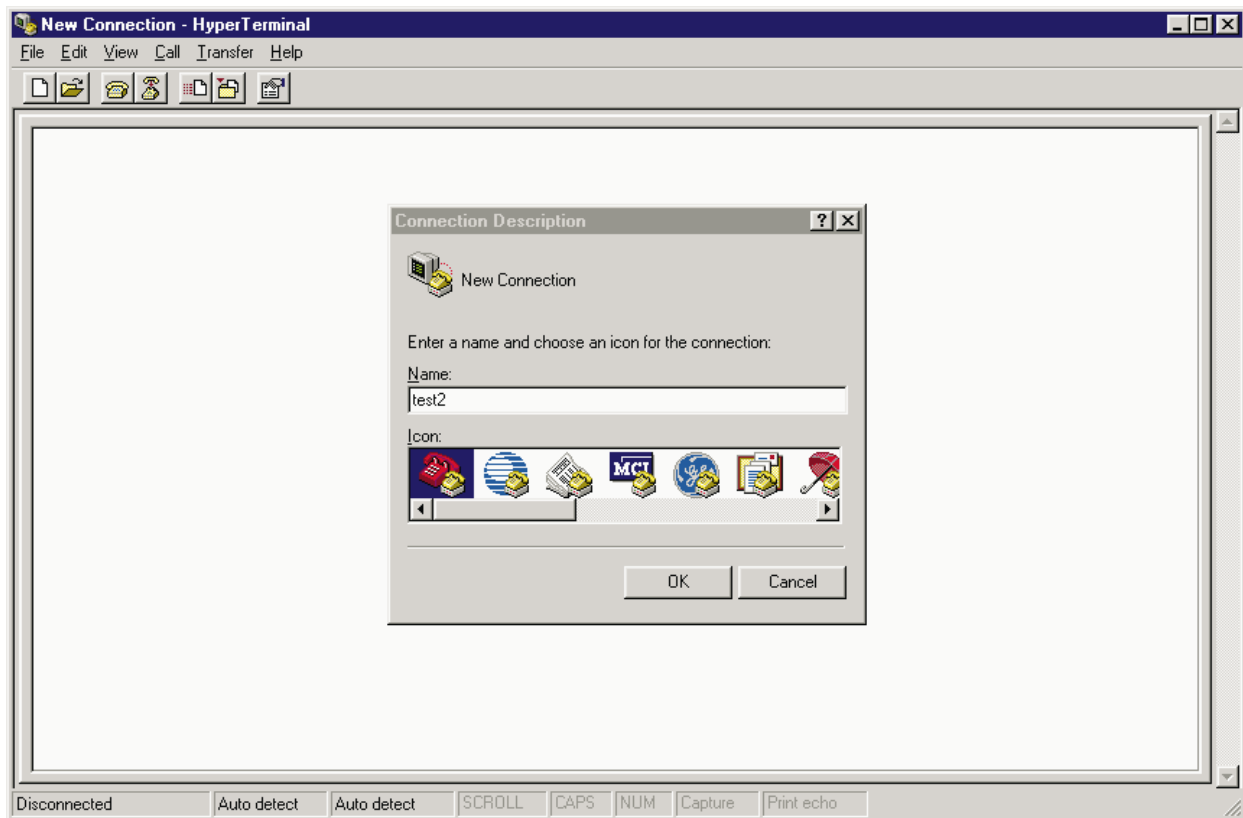
## 設定使用序列埠的 IP 位址

**重要事項：**開啓 HyperTerminal 階段作業會隨著您使用的 Windows® 版本而變。下列程序是根據一部執行 Windows® 98 的膝上型電腦。如果要啓動 HyperTerminal 階段作業，請跳至「開始」=>「程式集」=>「附屬應用程式」。

**重要事項：**請勿使用虛擬數據機接線。請確定您使用「3534 受管理集線器」所附的序列接線來連接「3534 受管理集線器」的序列埠，或者用另一條具有「直通」(straight through) 連線的母對母的接線來作為信號線。

請執行下列步驟來設定或改變使用序列埠的 IP 位址：

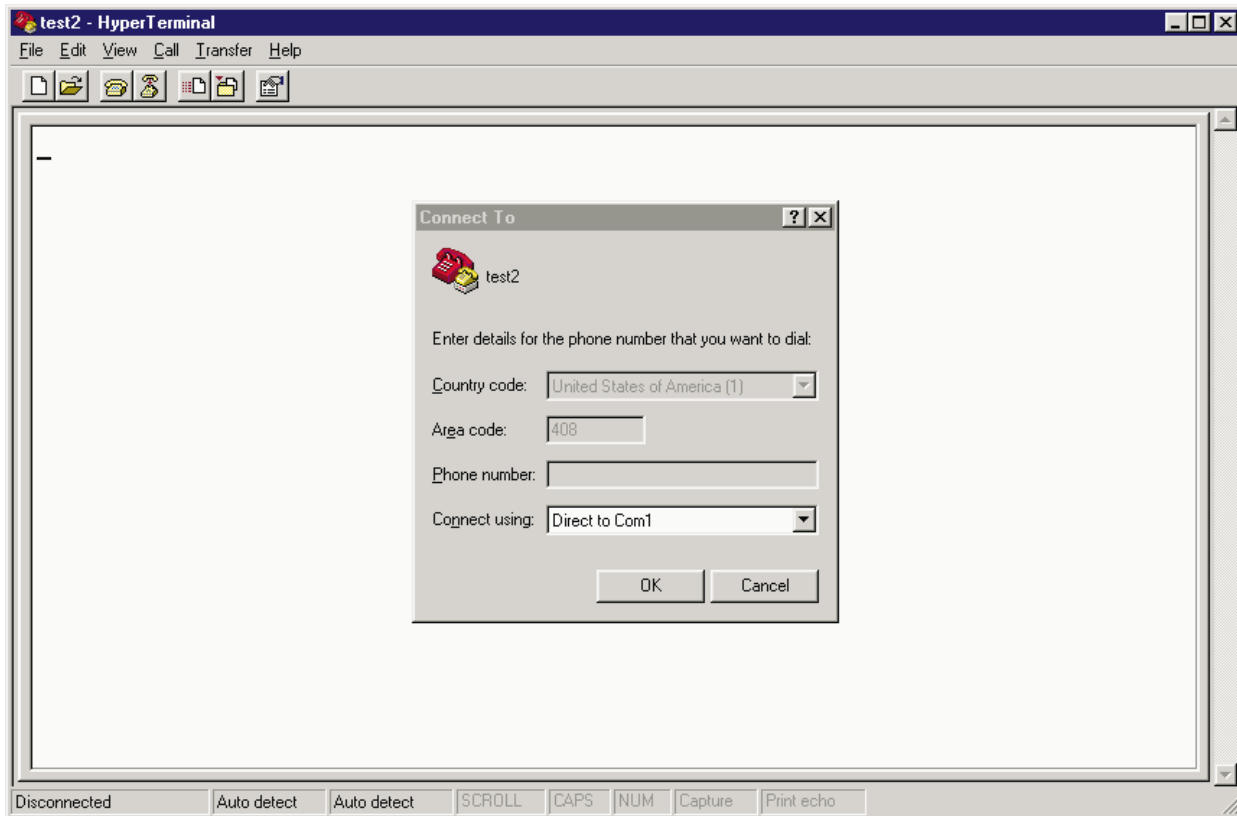
1. 使用「3534 受管理集線器」所附的序列接線，將服務終端機 (PC 或膝上型電腦) 連接到序列埠，然後再將「3534 受管理集線器」插入電源插座中。
2. 開啓一個 HyperTerminal 階段作業並且依下列方式來配置它：
  - a. 在圖9所顯示的「連線說明」視窗中，鍵入要作為新階段作業使用的名稱，從圖9所顯示的圖示功能表中選取任何圖示，然後按一下「確定」。



SL08939P

圖 9. 「連線說明」視窗

- b. 此時會出現 "Connect To" 視窗（如圖10所示）。在這個視窗中，使用預設設定值將連接變更為 "Direct to Com 1"，然後按一下 "OK"。



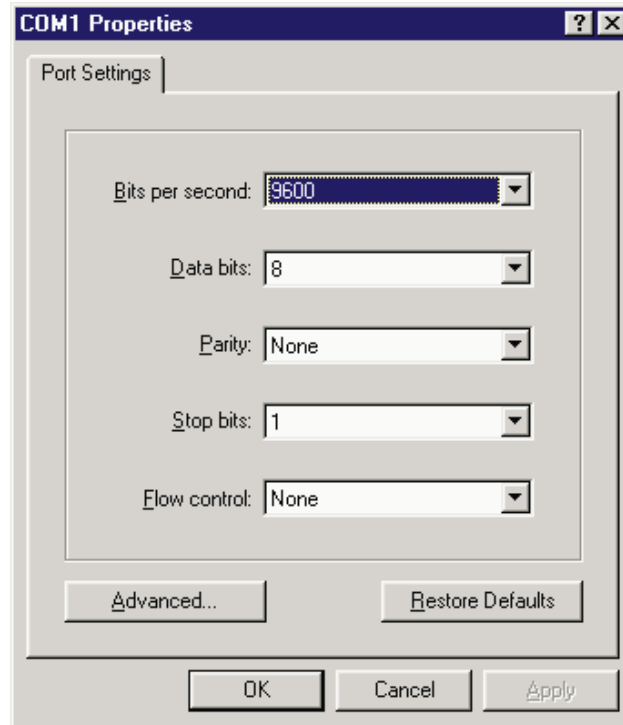
SL08940P

圖 10. "Connect to" 視窗

- c. 此時會出現 "COM 1. Properties" 視窗（如第11頁的圖11所示）。設定 "Port Settings" 標籤中的下列參數：

Bits per second: 9600  
Data bits: 8  
Parity: None  
Stop bits: 1  
Flow control: None

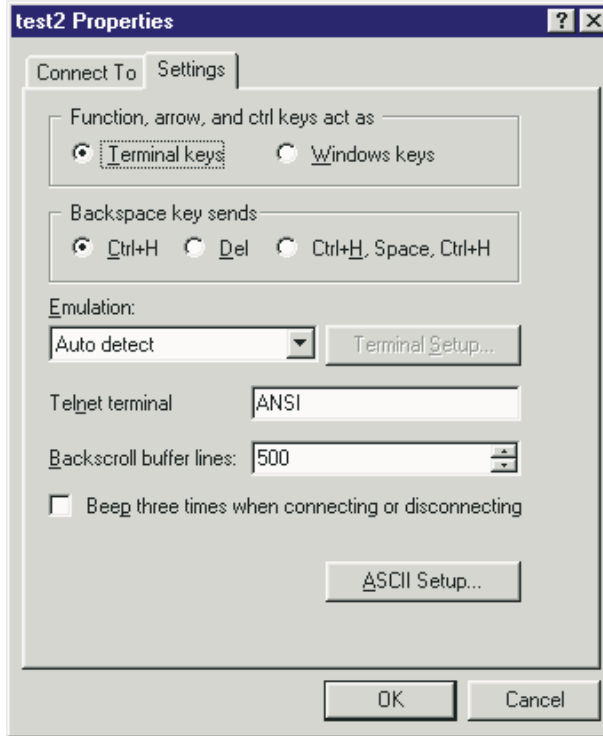
然後按一下 OK。



SL08936N

圖 11. COM1 內容 - "Port Settings" 視窗

- d. 按一下 File => Properties。此時會出現 "Properties" 視窗。選取 "Settings" 標籤，將 "Emulation" 欄位設定成自動偵測（如第12頁的圖12所示），然後按一下 "OK"。



SL08937N

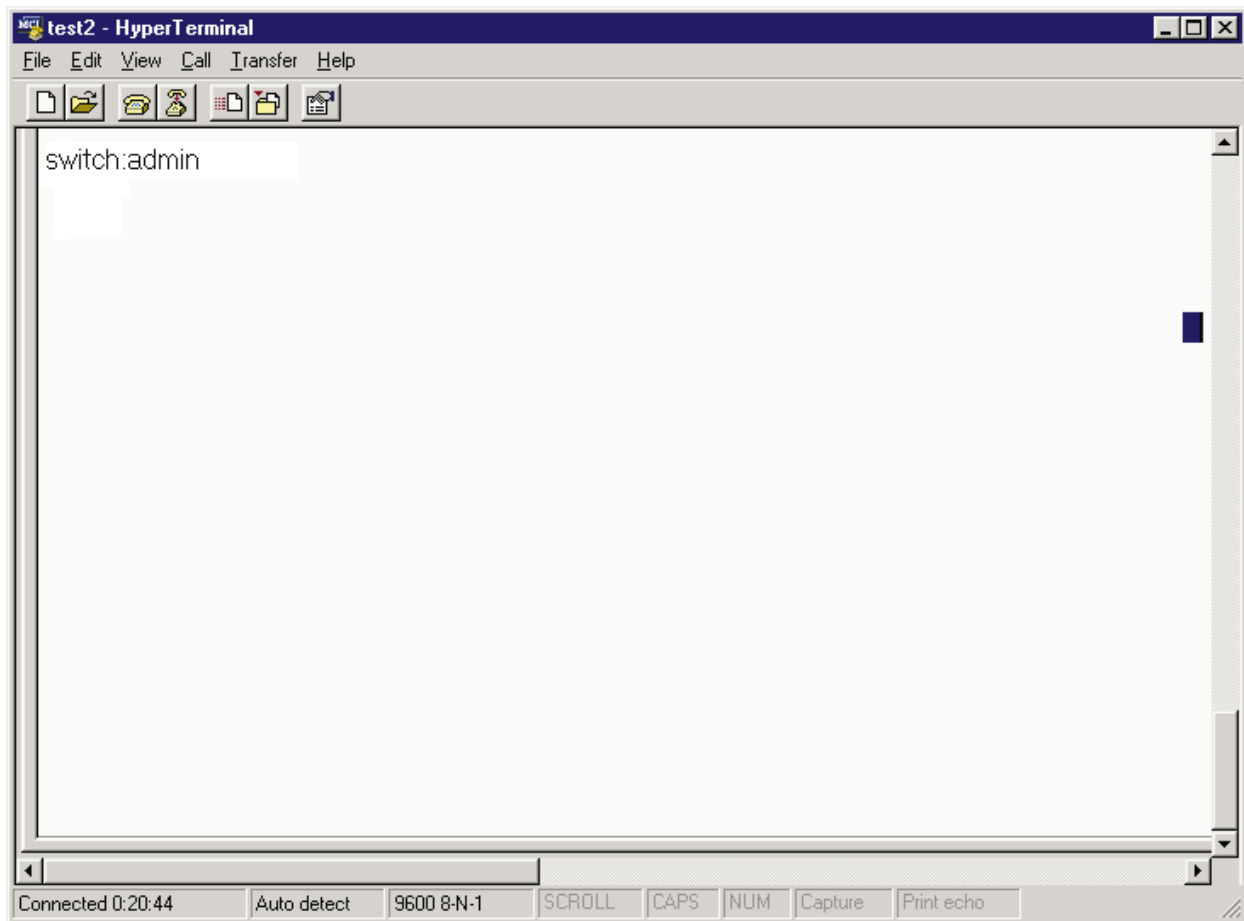
圖 12. Settings - Emulation 視窗

3. 將電源線插入電源插座來啓動「3534 受管理集線器」，然後等待兩分鐘，讓分析程序完成。確定電源線已經完全插入裝置前方，而且綠色的 LED 已經亮起。
4. 按服務終端機（PC 或膝上型電腦）上的 Enter 鍵。

「3534 受管理集線器」的回應如下：

Admin>

HyperTerminal 階段作業現在正在執行中（如第13頁的圖13所示）。



SL08934P

圖 13. HyperTerminal 階段作業

請針對每一個提示，鍵入下列資訊，然後在每一個回應結束時按 Enter 鍵。

- a. Admin> ipAddrSet  
這是設定 IP 位址的指令。
  - b. 乙太網路 IP 位址 [現行 IP 位址或「無」]: 新的 IP 位址  
這是系統管理者所提供的新位址。
  - c. 乙太網路次網路遮罩 [現行次網路遮罩或「無」]: 新的次網路遮罩或按 Enter 鍵。  
這是系統管理者所提供的新「次網路遮罩」。
  - d. 光纖通道 IP 位址 [無]: 按 Enter 鍵。
  - e. 光纖通道次網路遮罩 [無]: 按 Enter 鍵。
  - f. 閘道位址 [現行閘道位址或「無」]: 新的「閘道」位址或按 Enter 鍵。  
這是系統管理者所提供的新「閘道」位址。
  - g. Admin> Logout
5. 這個指令會結束「序列埠」階段作業。您已經完成「3534 受管理集線器」的安裝。將接線從序列埠接頭移除。將「3534 受管理集線器」交給系統管理者之前，如果要檢查「3534 受管理集線器」的光纖通道連接埠，請參閱第14頁的『驗證 3534 受管理集線器安裝』。

---

## 驗證 3534 受管理集線器安裝

如果要驗證「3534 受管理集線器」的安裝正確，請執行下列步驟：

1. 拔掉「3534 受管理集線器」。

### 危險

接線錯誤的電源插座可能會在系統金屬零件或是在連接到系統的產品上產生極大的電壓。客戶必須確定插座的接線正確並且已接地，以避免遭到電擊。  
(72XXD201)

2. 將「3534 受管理集線器」電源線插入電源插座。
3. 驗證備妥 LED 已經開啓。
4. 等待 2 分鐘，讓 POST 分析執行。
5. 驗證「3534 受管理集線器」的備妥 LED 已經亮起。
6. 將適當的包覆接頭（黑色是短的波長，灰色是長的波長）插入每一個連接埠，一次一個。驗證每一個相關的連接埠 LED 呈現緩慢的綠色閃爍。  
連接埠 0 - 6 是短的波長。如果安裝了 GBIC，則連接埠 7 可以是短或長的波長。
7. 如果上述任何檢查失敗，請參閱 *IBM 3534 SAN Fibre Channel Managed Hub Managed Hub Installation and Service Guide, SY27-7616* 中的“Problem determination”一節。否則，請將「3534 受管理集線器」交給系統管理者使用。

---

## 下載韌體

「3534 受管理集線器」在出廠時已經是最新的程式碼層次（韌體）。不過，當新的程式碼發行時，您可以輕易將它下載到「3534 受管理集線器」中。執行這個作業時，您必須將資料和可執行檔軟體儲存到伺服器中：

最新的程式碼可以從 SAN Fibre Channel 3534 Managed Hub 網站取得：

<http://www.ibm.com/storage/fchub>

這個網站提供了下載韌體以及將它載入「3534 受管理集線器」的指示。您可以在不停止「3534 受管理集線器」活動的情況下，將新的程式碼載入。不過，如果使新的程式碼作用，就必須重新啓動「3534 受管理集線器」。

## 韌體升級程序

您可以從 UNIX<sup>®</sup> 主電腦或 Windows 主電腦將韌體下載到「3534 受管理集線器」。UNIX 主電腦則不需要特殊的軟體。Windows 就需要常駐程式，以支援具有韌體的遠端 Shell (RSH)。這個常駐程式可以從 SAN Fibre Channel 3534 Managed Hub 網站取得。您可以使用 RPC 指令，從「3534 受管理集線器」和主電腦之間的 TCP 下載韌體。

### 從 UNIX 主電腦下載韌體

1. 從 SAN Fibre Channel 3534 Managed Hub 網站下載韌體。請記住您儲存程式碼的目錄。  
程式碼只能經由乙太網路 LAN 埠來下載到「3534 受管理集線器」。
2. 從已經連接 LAN 並且對「3534 受管理集線器」具有連通性的伺服器，啓動對「3534 受管理集線器」的 Telnet 階段作業。



指令格式為：

```
telnet [受管理集線器的 IP 位址]
```

- 登入為 "admin"。

```
login: admin
```

- Password: password

以現行的 admin 密碼來回應密碼提示。「3534 受管理集線器」有預設的密碼：password。

- 鍵入下列指令：

```
firmwareDownload ["host name/IP address"], ["user name"],["filename"]
```

例如：firmwareDownload "192.111.2.1", "timm", "/tmp/os/v2.1.3"

**註：** host name 是主電腦名稱或主電腦 IP 位址； username 是有效的主電腦使用者名稱；而 filename 是新韌體檔案的路徑。

RSH 伺服器會驗證使用者，並且將檔案遞送到「3534 受管理集線器」，將它儲存載快閃記憶體中。

#### 危險

接線錯誤的電源插座可能會在系統金屬零件或是在連接到系統的產品上產生極大的電壓。客戶必須確定插座的接線正確並且已接地，以避免遭到電擊。  
(72XXD201)

- 拔掉「3534 受管理集線器」的電源線，然後將電源線插回電源插座，以便起始新的韌體。

#### 從 Windows 主電腦下載韌體

- 從 SAN fibre channel 3534 Managed Hub 網站下載韌體。請記住您儲存程式碼的目錄。
- 將兩個公用程式 (rshd.exe 和 cat.exe) 從網站下載至和韌體相同的目錄。
- 在 DOS 視窗中，鍵入 rshd 來執行 RSH 常駐程式。  
您不需要執行 cat.exe；它會自動執行。
- 跳至第14頁的『從 UNIX 主電腦下載韌體』。遵循步驟第14頁的2到步驟6。

**註：** 使用 **firmwareDownload** 指令來下載到「3534 受管理集線器」時，在指令的目錄位置中必須使用 UNIX 目錄定址（正斜線 /），而不是 PC 目錄定址（反斜線 \）。例如從 NT 下載時，**firmwareDownload** 指令韌體是：

```
firmwareDownload "192.111.2.1", "timm", "/tmp/os/v2.1.3".
```



---

## 注意事項

本資訊是針對 IBM 在美國所提供之產品與服務開發出來的，

而在其他國家中，IBM 不見得有提供本書中所提的各項產品、服務、或功能，要知道在您所在之區是否可用到這些產品與服務時，請向當地的 IBM 服務代表查詢。本書在提及 IBM 的產品、程式或服務時，不表示或暗示只能使用 IBM 的產品、程式或服務。只要未侵犯 IBM 的智慧財產權，任何功能相當的產品、程式或服務都可以取代 IBM 的產品、程式或服務。不過，其他非 IBM 產品、程式、或服務在運作上的評價與驗證，其責任屬於使用者。

在這本書或文件中可能包含著 IBM 所擁有的專利或專利申請案。本書使用者並不享有前述專利之任何授權。您可以用書面方式來查詢授權，來函請寄到：

IBM Director of Licensing  
IBM Corporation  
North Castle Drive  
Armonk, NY 10504-1785  
U.S.A

---

## 商標

下列專有名詞是 IBM 公司在美國或 (及) 其他國家的商標：

- IBM
- IBM 3534 Managed Hub
- StorWatch
- Netfinity

Java 及所有以 Java 為基礎的商標都是 Sun Microsystems 公司在美國或 (及) 其它國家的商標。

Microsoft、Windows 98 及 Windows NT 是 Microsoft 在美國及 (或) 其它國家的註冊商標。

UNIX 是 Open Group 在美國與其他國家授權的註冊商標。

其他公司、產品及服務名稱可能為其他公司之商標或服務標章。

HyperTerminal 是 Hilgraeve 公司的商標。

---

## 電子放射注意事項

本節提供美國和其它國家的電子放射通知與聲明。

### 聯邦通信委員會 (FCC) 聲明

This equipment has been tested and found to comply with the limits for a Class A digital device, pursuant to Part 15 of the FCC Rules. These limits are designed to provide reasonable protection against harmful interference when the equipment is operated in a

commercial environment. This equipment generates, uses, and can radiate radio frequency energy and, if not installed and used in accordance with the instruction manual, may cause harmful interference to radio communications. Operation of this equipment in a residential area is likely to cause harmful interference, in which case the user will be required to correct the interference at his own expense.

Properly shielded and grounded cables and connectors must be used in order to meet FCC emission limits. IBM is not responsible for any radio or television interference caused by using other than recommended cables and connectors, or by unauthorized changes or modifications to this equipment. Unauthorized changes or modifications could void the user's authority to operate the equipment.

This device complies with Part 15 of the FCC Rules. Operation is subject to the following two conditions: (1) this device may not cause harmful interference ' and (2) this device must accept any interference received ' including interference that may cause undesired operation.

## 加拿大工業標準聲明

This Class A digital apparatus complies with Canadian ICES-003.

**Avis de conformite a la reglementation d'Industrie Canada:**Cet appareil numerique de la classe A est conform a la norme NMB-003 du Canada.

## 歐盟相容性 (European Community Compliance) 聲明

This product is in conformity with the protection requirements of EC Council Directive 89/336/EEC on the approximation of the laws of the Member States relating to electromagnetic compatibility. IBM cannot accept responsibility for any failure to satisfy the protection requirements resulting from a nonrecommended modification of the product, including the fitting of non-IBM option cards.

This product has been tested and found to comply with the limits for Class A Information Technology Equipment according to European Standard EN 55022. The limits for Class A equipment were derived for commercial and industrial environments to provide reasonable protection against interference with licensed communication equipment.

Attention: This is a Class A product. In a domestic environment, this product may cause radio interference in which case the user may be required to take adequate measures.

Where shielded or special cables (for example, cables fitted with ferrites) are used in the test to make the product comply with the limits:

Properly shielded and grounded cables and connectors must be used in order to reduce the potential for causing interference to radio and TV communications and to other electrical or electronic equipment. Such cables and connectors are available from IBM authorized dealers. IBM cannot accept responsibility for any interference caused by using other than recommended cables and connectors.

## 德國

Zulassungsbescheinigung laut Gesetz ueber die elektromagnetische Vertraeglichkeit von Geraeten (EMVG) vom 30. August 1995.

Dieses Geraet ist berechtigt , in Uebereinstimmung mit dem deutschen EMVG das EG-Konformitaetszeichen - CE - zu fuehren.

Der Aussteller der Konformitaetserklaeung ist die IBM Deutschland.

Informationen in Hinsicht EMVG Paragraph 3 Abs. (2) 2:

Das Geraet erfuehlt die Schutzanforderungen nach EN 50082-1 und EN 55022 Klasse A.

EN 55022 Klasse A Geraete beduerfen folgender Hinweise:

Nach dem EMVG:

“Geraete duerfen an Orten, fuer die sie nicht ausreichend entstoert sind, nur mit besonderer Genehmigung des Bundesministeriums fuer Post und Telekommunikation oder des Bundesamtes fuer Post und Telekommunikation betrieben werden. Die Genehmigung wird erteilt, wenn keine elektromagnetischen Stoerungen zu erwarten sind.” (Auszug aus dem EMVG, Paragraph 3, Abs.4)

Dieses Genehmigungsverfahren ist nach Paragraph 9 EMVG in Verbindung mit der entsprechendenKostenverordnung (Amtsblatt 14/93) kostenpflichtig.

Nach der EN 55022:

“Dies ist eine Einrichtung der Klasse A. Diese Einrichtung kann im Wohnbereich Funkstoerungen verursachen. in diesem Fall kann vom Betreiber verlangt werden, angemessene Massnahmen durchzufuehren und dafuer aufzukommen.”

Anmerkung:

Um die Einhaltung des EMVG sicherzustellen, sind die Geraete wie in den Handbuechern angegeben zu installieren und zu betreiben.

## 日本自主規制協議會 (VCCI) 類別 1 聲明

この装置は、情報処理装置等電波障害自主規制協議会（VCCI）の基準に基づくクラス A 情報技術装置です。この装置を家庭環境で使用すると電波妨害を引き起こすことがあります。この場合には使用者が適切な対策を講ずるよう要求されることがあります。

## 臺灣類別 A 標準聲明

### 警告使用者:

這是甲類的資訊產品，在居住的環境中使用時，可能會造成射頻干擾，在這種情況下，使用者會被要求採取某些適當的對策。

---

## IBM 機器授權碼

不管您使用哪一種方法（透過電子方式、預先載入或、媒體或其它方式）取得 BIOS、公用程式、診斷程式、裝置驅動程式或微碼（統稱為「機器程式碼」），當您開始使用「機器」或「機器程式碼」時，即表示您接受本合約條款。「機器」一詞係指一部 IBM 機器、其特殊裝置、轉換裝置、提昇設備、元件或附件，或其任何組合。您接受這些授權條款，即得將「機器程式碼」與提供「機器程式碼」之特定產品一併使用。

國際商業機器股份有限公司或其子公司（以下通稱 IBM）或 IBM 之供應商擁有本「機器碼」之著作權。

IBM 就本「機器碼」授與■貴客戶非專屬之授權。若您為「機器」的合法持有者，您可以就備份、架構與還原之目的，為「機器程式碼」製作合理份數的拷貝。在每一份「機器程式碼」拷貝上，您必需同時複製著作權及任何其它所有權之權利標示。

您僅得於使用「機器程式碼」的「機器」移轉予第三人時，始得移轉該「機器程式碼」及其媒體予該第三人。您應交付本合約及所有使用者說明文件予該第三人。您須於移轉後立即銷毀您所有的「機器程式碼」拷貝。

當您不再合法持有「機器」時，您的授權即為終止。

您未被授與除本約規定外的其它權利：

貴客戶不得：

1. 除 IBM 於「機器」使用者說明文件中另行授權外，複製、顯示、傳輸、改變、修改機器程式碼、或以任何形式散佈「機器程式碼」；
2. 逆向組合、編纂或其他轉換「機器碼」，除非法律明文規定，且無違反合約的可能性時；
3. 再授權或指定該「機器碼」的授權；或
4. 出租該「機器碼」或任何其複製。

「機器有限保證聲明」亦為本合約內容的一部分。有關「機器程式碼」的效能或賠償責任的任何問題，請參閱該份「聲明」。

---

## 有限保證聲明

International Business Machines Corporation Armonk, New York, 10504

IBM 於此有限保證聲明中所提供的保證 ( Z125-4753) 僅適用 貴客戶自 IBM 或轉銷商原始購買，供 貴客戶使用，而非轉售之機器。“機器”係指一台 IBM 機器、其特性、轉換、升級、元件或附件，或其任何組合。

除非 IBM 另有指定，否則下列保證僅適用於 貴客戶取得「機器」的國家。倘 貴客戶有任何疑問，請洽詢 IBM 或轉銷商。

機器：IBM 3534 SAN Fibre Channel Managed Hub

保證期限：一年。\*

\*請洽詢您購買時的銷售處，取得保固服務資訊。

## 產品狀態

每台「機器」都是利用新零件，或新零件與用過的零件，全新製造而成的。在某些情況下，「機器」可能不是新的，且可能已經先安裝過了。無論「機器」之產品狀態，IBM 的保證條款均適用。

## IBM 機器保證

IBM 保證每部「機器」 1) 均無材料及製造上的瑕疵 2) 符合 IBM 規格書所載之規格 (Official Published Specifications)。保證期間為特定之期間，其自機器安裝完成日開始起算。除非 IBM 或轉銷商另外通知，貴客戶收據上的日期即為安裝完成日。

IBM 或經 IBM 同意之轉銷商根據「機器」的指定服務類型，在保證期限內提供保證服務，並管理及安裝「機器」適用的工程變更。

IBM 或轉銷商所提供特殊裝置、變更或提昇的保證服務，IBM 或您的轉銷商會要求安裝於符合下列條件之「機器」： 1) 經指定序號的「機器」，2) 工程變更層等級與前述設備相容。這些異動大多會包含相關零件的移除，移除之零件應歸還 IBM。貴客戶必須確保所有移除零件都是未經變更的真品。新更換零件之保證服務應依移除零件之現況辦理。

若「機器」於保證期間未如其所保證地運作，IBM 或轉銷商會修復該機器或以至少功能相等的機器更換之，且不收取費用。更換的機器可能不是新品，但必定能夠正常運作。若 IBM 或您的轉銷商無法修復或更換「機器」，則您可以將它退回購買處，並取回您所支付的金額。

若您將「機器」轉手給其他人，則保證服務於剩餘保證期內，仍適用於該使用者。您應該將您的購買證明與此聲明一起給該使用者。然而，對終生保證的「機器」而言，此保證是無法轉手的。

## 保證服務

如果 貴客戶需要「機器」保證服務，請洽詢轉銷商或電洽 IBM。美國境內，請洽詢 IBM：1-800-IBM-SERV (426-7378)。在加拿大，請洽詢 IBM：1-800-465-6666。貴客戶可能被要求出示購買證明。

IBM 或您的轉銷商將提供特定的修復類型與更換服務 (在您所在地或 IBM 或您轉銷商的服務中心)，以便將該「機器」回復至良好的工作狀態。



保證服務類型需要更換「機器」或零件時，IBM 或轉銷商提供的更換品歸貴客戶所有，換下的物件歸 IBM 或轉銷商所有。貴客戶必須確保所有因更換而移除項目都是未經變更的真品。更換的物件可能不是全新，但必定能夠正常運作，而且功能至少與原來之功能相當。新更換部分之保證服務期間仍依原定期間，不得延長。IBM 或轉銷商更換「機器」或零件前，貴客戶必須同意先行移除所有保證服務外的特殊裝置、零件、選擇裝置、修改及附加裝置。貴客戶亦同意確定該機器沒有其他法律義務或限制，使其無法進行更換。

貴客戶同意：

1. 取得「機器」所有人之授權，容許 IBM 或轉銷商為不屬於您的「機器」提供服務；且
2. 如果適用的話，請在取得服務之前 —
  - a. 遵循 IBM 或轉銷商提供的問題判斷、問題分析等叫修服務程序，貴客戶應配合執行。
  - b. 確保「機器」中所有程式、資料以及金錢的安全，且
  - c. 通知 IBM 或轉銷商有關「機器」裝置地點之異動情形。

IBM 就「機器」在下列情況所遭受的毀損或滅失負責：1) IBM 持有「機器」時，或 2) IBM 負擔「機器」運費之運送途中。

## 保證範圍

IBM 不保證「機器」絕不中斷或全無錯誤。

IBM 的保固可能會因為下列因素而取消：誤用、意外、修改、不當的實體或作業環境、不當的維護、移除或更改機器或零件的識別標籤，或因 IBM 所不負責的產品而導致的失效情況。

這些保證取代其他一切明示或默示之保證（包括但不限於可售性及符合特定效用之保證）。本保證賦予您特定法律權利，而且因轄區不同，您擁有的其它權利亦不相同。倘法律規定不得排除明示或默示之保證，上述除外條款則不適用，惟該明示或默示之保證僅於保證期間內有效。

## 賠償限制

因為 IBM 零件上的瑕疵或其它責任而發生的一些狀況，您有權向 IBM 求償。無論貴客戶基於何種權利請求賠償（包括重大違約、疏忽、不實陳述、或其他契約請求或侵權行為），IBM 的賠償責任僅限於：

1. 人身傷害（包括死亡）、物之毀損及有形的個人財產；及
2. 其他實際損害或損失，惟不得超過與美金壹拾萬元或造成損害之個別「機器」費用（如為定期付款者，則以 12 個月之應付費用計算），兩者間金額較高者。

IBM 對下列各項不負任何責任：1) 第三人向貴客戶請求之損失或損害（不含上述第一項）2) 貴客戶資料之滅失或損害 3) 貴客戶之任何附帶雜項支出、特別損害、間接損害或其他衍生之經濟損害（包括利潤損失及節餘損失），即使 IBM 或您的轉銷商被告知該情事有可能發生，亦同。倘法律規定不得排除或限制賠償責任時，則該限制或排除無效。



# 索引

索引順序以中文字，英文字，及特殊符號之次序排列。

## 〔一劃〕

一般限制 viii  
乙太網路 7  
乙太網路連接埠，設定 IP 位址 8

## 〔三劃〕

下載韌體 14

## 〔四劃〕

升級程序，韌體 14  
手冊，本書使用者 ix  
支援的主電腦匯流排配接卡 1  
支援的平台 1  
日本自主規制協議會 (VCCI) 類別 1 聲明 19

## 〔五劃〕

主電腦匯流排配接卡，支援的 1  
出版品，相關的 ix  
加拿大工業標準聲明 18  
外部機器檢查 vii  
平台，支援的 1  
必要的工具 3  
必要的，工具 3  
本書適用對象 ix

## 〔六劃〕

交流電源，移除 vii  
回收，產品 viii  
安全注意事項，翻譯的 vii  
安全與環境注意事項 vii  
安全檢驗 vii  
安全，雷射 viii  
安裝 3534 受管理集線器 1  
安裝 GBIC 6  
安裝指示 2  
安裝，框架裝載 3  
安裝，桌面 2  
安裝，驗證 3534 受管理集線器 14  
有限保證聲明 20  
有限保證，聲明 20  
次網路遮罩 8

## 〔七劃〕

位址，預設 IP 7  
序列埠，設定 IP 位址 9  
更換，零件 2

## 〔八劃〕

使用限制 viii  
使用齊平裝載軌道開口的框架 4  
「受管理集線器」名稱，設定 7  
受管理集線器安裝，驗證 3534 14  
受管理集線器，安裝 3534 1  
延長保證 22  
放射注意事項，電子 17  
注意事項 17  
注意事項，安全與環境 vii  
注意事項，電池 viii  
注意事項，翻譯的安全 vii  
注意事項，電子放射 17

## 〔九劃〕

保證服務 21  
保證，延長 22  
保證，有限聲明 20  
前置安裝檢查清單，客戶 1  
客戶前置安裝檢查清單 1  
指示，安裝 2  
相容性聲明，歐盟 18  
相關出版品 ix  
限制，一般 viii  
限制，使用 viii

## 〔十劃〕

框架裝載安裝 3  
框架，9306 Netfinity 4  
桌面安裝 2  
缺少零件 2

## 〔十一劃〕

商標 17  
常駐程式，RSH 15  
從 UNIX 主電腦下載韌體 14  
從 Windows 主電腦下載韌體 15  
產品回收 viii  
產品狀態 21  
移除交流電源 vii

設定 IP 位址 7  
設定使用乙太網路連接埠的 IP 位址 8  
設定使用序列埠的 IP 位址 9  
設定「受管理集線器」名稱 7

## 〔十二劃〕

集線器名稱，設定受管理 7  
集線器安裝，驗證 3534 受管理 14  
集線器，安裝 3534 受管理 1  
韌體升級程序 14  
韌體，下載 14

## 〔十三劃〕

雷射安全 viii  
電子放射注意事項 17  
電池注意事項 viii  
電源，移除交流 vii  
零件更換 2  
零件，缺少 2  
預設 IP 位址 7

## 〔十四劃〕

網站 ix  
臺灣類別 A 標準 聲明 20  
齊平裝載軌道開口，框架 4

## 〔十五劃〕

標準聲明，加拿大工業 18  
歐盟相容性 (European Community Compliance) 聲明 18  
賠償限制 22  
賠償，限制 22

## 〔十六劃〕

機器保證, IBM 21  
機器碼授權, IBM 20  
機器碼, IBM 授權 20  
機器檢查，外部 vii  
機器, IBM 保證 21

## 〔十七劃〕

檢查清單，客戶前置安裝 1  
檢查，外部機器 vii  
檢驗，安全 vii  
環境注意事項，安全與 vii  
聯邦通信委員會 (FCC) 聲明 17

## 〔十八劃〕

翻譯的安全注意事項 vii

## 〔十九劃〕

關於本手冊 ix

## 〔二十三劃〕

驗證 3534 受管理集線器安裝 14

## 〔數字〕

3534 受管理集線器安裝，驗證 14  
3534 受管理集線器，安裝 1  
9306 Netfinity 框架 4

## G

GBIC，安裝 6  
Germany compliance addendum 19

## H

HyperTerminal 9

## I

IBM 機器保證 21  
IBM 機器授權碼 20  
IP 位址，設定 7  
IP 位址，預設 7

## N

Netfinity 框架，9306 4

## R

RSH 常駐程式 15

## S

StorWatch Specialist 7, 8

## T

Telnet 7

## U

UNIX 主電腦，下載韌體白 14

## W

Windows 主電腦，下載韌體自 15



# 讀者意見表

為使本書盡善盡美，本公司極需您寶貴的意見；懇請您使用過後，撥冗填寫下表，惠予指教。

請於下表適當空格內，填入記號（√）；我們會在下一版中，作適當修訂，謝謝您的合作！

評估項目	評估意見	備註
正確性	內容說明與實際程序是否符合	<input type="checkbox"/> 是 <input type="checkbox"/> 否
	參考書目是否正確	<input type="checkbox"/> 是 <input type="checkbox"/> 否
一致性	文句用語及風格，前後是否一致	<input type="checkbox"/> 是 <input type="checkbox"/> 否
	實際畫面訊息與本書所提之畫面訊息是否一致	<input type="checkbox"/> 是 <input type="checkbox"/> 否
完整性	是否遺漏您想知道的項目	<input type="checkbox"/> 是 <input type="checkbox"/> 否
	字句、章節是否有遺漏	<input type="checkbox"/> 是 <input type="checkbox"/> 否
術語使用	術語之使用是否恰當	<input type="checkbox"/> 是 <input type="checkbox"/> 否
	術語之使用，前後是否一致	<input type="checkbox"/> 是 <input type="checkbox"/> 否
可讀性	文句用語是否通順	<input type="checkbox"/> 是 <input type="checkbox"/> 否
	有否不知所云之處	<input type="checkbox"/> 是 <input type="checkbox"/> 否
內容說明	內容說明是否詳盡	<input type="checkbox"/> 是 <input type="checkbox"/> 否
	例題說明是否詳盡	<input type="checkbox"/> 是 <input type="checkbox"/> 否
排版方式	本書的形狀大小，版面安排是否方便使用	<input type="checkbox"/> 是 <input type="checkbox"/> 否
	字體大小，顏色編排，是否有助於閱讀	<input type="checkbox"/> 是 <input type="checkbox"/> 否
目錄索引	目錄內容之編排，是否便於查考	<input type="checkbox"/> 是 <input type="checkbox"/> 否
	索引語錄之排定，是否便於查考	<input type="checkbox"/> 是 <input type="checkbox"/> 否
	※評估意見為“否”者，請於備註欄說明。	

其他：（篇幅不夠時，請另紙說明。）

---

---

---

---

---

---

---

---

---

---

上述改正意見，一經採用，本公司有合法之使用及發佈權利，特此聲明。

IBM 3534 SAN Fibre Channel Managed Hub  
安裝可管理的集線器

SY27-7621-00

折疊線

台北市115南港區三重路十九之十一號四棟九樓

臺灣國際商業機器股份有限公司  
軟體國際部 啟

廣告回信	臺灣北區郵政管理局	號
	登記室	
北台字第		

免貼郵票

寄件人 姓名：  
地址：

寄

折疊線

讀者意見表





Printed in U.S.A

SY27-7621-00





---

# Reader's comments — we would like to hear from you

IBM 3534 SAN Fibre Channel Managed Hub  
Translations for Installing the Managed Hub

Publication No. SY27-7621-00

Overall, how satisfied are you with the information in this book?

	Very Satisfied	Satisfied	Neutral	Dissatisfied	Very Dissatisfied
Overall satisfaction	<input type="checkbox"/>	<input type="checkbox"/>	<input type="checkbox"/>	<input type="checkbox"/>	<input type="checkbox"/>

How satisfied are you that the information in this book is:

	Very Satisfied	Satisfied	Neutral	Dissatisfied	Very Dissatisfied
Accurate	<input type="checkbox"/>	<input type="checkbox"/>	<input type="checkbox"/>	<input type="checkbox"/>	<input type="checkbox"/>
Complete	<input type="checkbox"/>	<input type="checkbox"/>	<input type="checkbox"/>	<input type="checkbox"/>	<input type="checkbox"/>
Easy to find	<input type="checkbox"/>	<input type="checkbox"/>	<input type="checkbox"/>	<input type="checkbox"/>	<input type="checkbox"/>
Easy to understand	<input type="checkbox"/>	<input type="checkbox"/>	<input type="checkbox"/>	<input type="checkbox"/>	<input type="checkbox"/>
Well organized	<input type="checkbox"/>	<input type="checkbox"/>	<input type="checkbox"/>	<input type="checkbox"/>	<input type="checkbox"/>
Applicable to your tasks	<input type="checkbox"/>	<input type="checkbox"/>	<input type="checkbox"/>	<input type="checkbox"/>	<input type="checkbox"/>

Please tell us how we can improve this book:

Thank you for your responses. May we contact you?  Yes  No

When you send comments to IBM, you grant IBM a nonexclusive right to use or distribute your comments in any way it believes appropriate without incurring any obligation to you.

---

Name

---

Address

---

Company or Organization

---

Phone No.



Fold and Tape

Please do not staple

Fold and Tape



NO POSTAGE  
NECESSARY  
IF MAILED IN THE  
UNITED STATES

# BUSINESS REPLY MAIL

FIRST-CLASS MAIL PERMIT NO. 40 ARMONK, NEW YORK

POSTAGE WILL BE PAID BY ADDRESSEE

International Business Machines Corporation  
RCF Processing Department  
Dept. G26/Bldg. 050-3  
5600 Cottle Road  
San Jose, CA  
U.S.A. 95193-0001



Fold and Tape

Please do not staple

Fold and Tape





Printed in the United States of America  
on recycled paper containing 10%  
recovered post-consumer fiber.

SY27-7621-00



Spine information:



IBM 3534 SAN Fibre Channel  
Managed Hub

**IBM 3534 SAN Fibre Channel Managed Hub  
Translations for Installing the Managed Hub**