

IBM System Storage SAN Volume Controller



Model 2145-CF8 Hardware Installation Guide

Version 5.1.0

IBM System Storage SAN Volume Controller



Model 2145-CF8 Hardware Installation Guide

Version 5.1.0

Note:

Before using this information and the product it supports, read the information in the **Safety and environmental notices** and **Notices**, as well as the information in the **IBM Environmental Notices and User Guide** on the documentation CD.

This edition applies to the IBM System Storage SAN Volume Controller Model 2145-CF8 running release 5.1.0 of IBM SAN Volume Controller software and to all subsequent releases and modifications until otherwise indicated in new editions. This edition replaces GC52-1356-00.

© **Copyright International Business Machines Corporation 2009.**

US Government Users Restricted Rights – Use, duplication or disclosure restricted by GSA ADP Schedule Contract with IBM Corp.

Contents

Figures	v
--------------------------	----------

Tables	vii
-------------------------	------------

Safety and environmental notices **ix**

Inspecting the SAN Volume Controller for unsafe conditions	ix
External device check	x
Internal device checks	x
Checking the grounding of a SAN Volume Controller, the uninterruptible power supply, and the redundant ac-power switch	xi
Inspecting the uninterruptible power supply for unsafe conditions	xii
Handling static-sensitive devices	xiii
Environmental notices and statements	xiii
Product recycling and disposal	xiii

About this guide **xv**

Who should use this guide	xv
Emphasis	xv
SAN Volume Controller library and related publications	xvi
Related Web sites	xix
How to order IBM publications.	xx
How to send your comments	xx

SAN Volume Controller installation and configuration overview **xxi**

Chapter 1. SAN Volume Controller overview **1**

SAN Volume Controller operating environment.	1
Redundant ac-power switch	2
Cabling of redundant ac-power switch (example)	2
Uninterruptible power supply	4
2145 UPS-1U	4
2145 UPS-1U configuration	4

Chapter 2. Installing the SAN Volume Controller 2145-CF8 hardware **7**

Preparing for the hardware installation	7
Optionally installing the redundant ac-power switch	11
Attaching the mounting plates to the redundant ac-power switch.	12
Labeling the cables	12
Connecting the input-power cables to the redundant ac-power switch	13
Installing the redundant ac-power switch in the rack	13
Connecting the redundant ac-power switch to the site power.	14
Testing the redundant ac-power switch	15

Installing the 2145 UPS-1U	15
Installing the support rails for the 2145 UPS-1U	16
Installing the 2145 UPS-1U in the rack	17
Installing the 2145 UPS-1U cable-retention bracket	22
Installing the SAN Volume Controller 2145-CF8	23
Installation guidelines	23
Installing the support rails for the SAN Volume Controller 2145-CF8	23
Installing the cable-management arm for the SAN Volume Controller 2145-CF8	26
Installing the SAN Volume Controller 2145-CF8 in a rack	30
Connecting the SAN Volume Controller 2145-CF8 to the 2145 UPS-1U.	31
Installing the SAN Volume Controller 2145-CF8 cable-retention brackets	33
Connecting the SAN Volume Controller 2145-CF8 to the SAN and to the Ethernet network	34
Verifying the SAN Volume Controller 2145-CF8 installation	34

Appendix A. Accessibility **39**

Appendix B. SAN Volume Controller physical installation planning **41**

SAN Volume Controller 2145-CF8 environment requirements	41
Redundant ac-power environment requirements	43
Uninterruptible power-supply environment requirements	44
2145 UPS-1U environment	44
Power cables for the 2145 UPS-1U.	45

Appendix C. SAN Volume Controller hardware controls, indicators, and connectors **47**

SAN Volume Controller 2145-CF8 controls and indicators	47
Node status LED	47
Front-panel display.	48
Navigation buttons.	48
SAN Volume Controller 2145-CF8 operator-information panel	48
Select button	50
Error LED.	50
SAN Volume Controller 2145-CF8 rear-panel indicators	51
2145 UPS-1U controls and indicators	55
Load segment 2 indicator.	57
Load segment 1 indicator.	57
Alarm indicator	57
On-battery indicator	57
Overload indicator	58

Power-on indicator	58	Germany compliance statement.	63
On/off button	58	Japanese Voluntary Control Council for	
Test and alarm reset button	58	Interference (VCCI) statement	64
Notices	59	People's Republic of China Class A Electronic	
Trademarks	61	Emission Statement.	64
Electronic emission notices	61	International Electrotechnical Commission (IEC)	
Federal Communications Commission (FCC)		statement	64
statement	61	United Kingdom telecommunications	
Industry Canada compliance statement	62	requirements	64
Avis de conformité à la réglementation		Korean Class A Electronic Emission Statement.	64
d'Industrie Canada	62	Taiwan Class A compliance statement	64
New Zealand compliance statement	62	European Contact Information	65
European Union EMC Directive conformance		Taiwan Contact Information	65
statement	62	Index	67

Figures

1. Photo of the redundant ac-power switch	2	27. Rack rear: Installing the SAN Volume Controller 2145-CF8 cable-management arm mounting bracket	28
2. A four-node SAN Volume Controller cluster with the redundant ac-power switch feature	3	28. SAN Volume Controller 2145-CF8 cable-management arm on the support arm	29
3. Parts provided for SAN Volume Controller 2145-CF8 hardware installation in a rack	8	29. SAN Volume Controller 2145-CF8 cables in the cable-management arm	30
4. Attaching the mounting plates	12	30. Installing the SAN Volume Controller 2145-CF8 node in the slide rails of the rack	31
5. Power cable clips	13	31. Raising the SAN Volume Controller 2145-CF8 locking levers of the slide rails of the rack	31
6. Positioning the clips.	14	32. Connecting the SAN Volume Controller 2145-CF8 power cable to the 2145 UPS-1U	32
7. Positioned in rack	14	33. SAN Volume Controller 2145-CF8 cable-retention brackets	33
8. Installing the support rails for a 2145 UPS-1U into the rack	16	34. Connectors on the rear of the SAN Volume Controller 2145-CF8	34
9. Adjusting the rail depth on the 2145 UPS-1U	16	35. SAN Volume Controller 2145-CF8 front panel	35
10. Securing the rear rail on the 2145 UPS-1U	17	36. Front-panel display when push buttons are pressed	36
11. Securing the front rail on the 2145 UPS-1U	17	37. Node number.	36
12. Mounting screws for the 2145 UPS-1U	19	38. Ethernet: No Cluster	36
13. Removing the 2145 UPS-1U front panel	19	39. SAN Volume Controller 2145-CF8 front panel	47
14. The 2145 UPS-1U internal battery connector with protective tape.	20	40. SAN Volume Controller 2145-CF8 operator-information panel	49
15. The 2145 UPS-1U internal-battery connector	20	41. SAN Volume Controller 2145-CF8 rear-panel indicators	51
16. 2145 UPS-1U (rear view)	21	42. SAN Volume Controller 2145-CF8 ac, dc, and power-error LEDs	52
17. 2145 UPS-1U front-panel assembly.	21	43. Connectors on the rear of the SAN Volume Controller 2145-CF8.	53
18. 2145 UPS-1U power cable-retention bracket hardware	22	44. Power connector	54
19. 2145 UPS-1U power cable-retention bracket	22	45. Service ports of the SAN Volume Controller 2145-CF8	54
20. SAN Volume Controller 2145-CF8 cable-management arm, support rails, and associated parts	24	46. SAN Volume Controller 2145-CF8 port not used	55
21. Installing the SAN Volume Controller 2145-CF8 slide rails on the rack	25	47. Physical fibre-channel port numbers for the SAN Volume Controller 2145-CF8	55
22. Installing the rear of a SAN Volume Controller 2145-CF8 slide rail in the rear of the rack	26	48. 2145 UPS-1U front-panel assembly.	55
23. Installing the front of a SAN Volume Controller 2145-CF8 slide rail in the front of the rack.	26		
24. Rack rear: Attaching the SAN Volume Controller 2145-CF8 cable-management support arm	27		
25. Rack rear: Installing the SAN Volume Controller 2145-CF8 cable-management stop bracket	27		
26. Attaching the free end of the SAN Volume Controller 2145-CF8 support arm	28		

Tables

1. SAN Volume Controller library.	xvi	8. Dimensions and weight	43
2. Other IBM publications	xviii	9. Additional space requirements	43
3. IBM documentation and related Web sites	xix	10. Maximum heat output of each SAN Volume Controller 2145-CF8 node	43
4. Cable-management arm and associated parts descriptions and quantities	24	11. Maximum heat output of each 2145 UPS-1U	43
5. Maximum power consumption	41	12. 2145 UPS-1U error indicators.	56
6. Physical specifications	42		
7. Environment requirements with redundant ac power	42		

Safety and environmental notices

Review the multilingual safety notices for the IBM® System Storage™ SAN Volume Controller, redundant ac-power switch, and the uninterruptible power supply before you install and use the product.

To find the translated text for a caution or danger notice:

1. Look for the identification number at the end of each caution notice or each danger notice. In the following examples, the numbers (C001) and (D002) are the identification numbers.

CAUTION:

A caution notice indicates the presence of a hazard that has the potential of causing moderate or minor personal injury. (C001)

DANGER

<p>A danger notice indicates the presence of a hazard that has the potential of causing death or serious personal injury. (D002)</p>

2. Locate *IBM Systems Safety Notices* with the user publications that were provided with the SAN Volume Controller hardware.
3. Find the matching identification number in the *IBM Systems Safety Notices*. Then review the topics concerning the safety notices to ensure that you are in compliance.
4. Optionally, read the multilingual safety instructions on the SAN Volume Controller Web site. Go to www.ibm.com/storage/support/2145, click the current product documentation link, and then click **Multi-language**.

Inspecting the SAN Volume Controller for unsafe conditions

Use caution when working in any potential safety hazardous situation that is not covered in the safety checks. If unsafe conditions are present, determine how serious the hazards are and whether you can continue before you correct the problem.

Before you start the safety inspection, make sure that the power is off, and that the power cord is disconnected.

Each device has required safety items installed to protect users and IBM service personnel from injury. This guide addresses only those items.

Important: Good judgment must also be used to identify potential safety hazards due to the attachment of non-IBM features or options not covered by this inspection guide.

If any unsafe conditions are present, you must determine how serious the apparent hazard could be and whether you can continue without first correcting the problem. For example, consider the following conditions and their potential safety hazards:

Electrical hazards (especially primary power)

Primary voltage on the frame can cause serious or lethal electrical shock.

Explosive hazards

A damaged CRT face or a bulging capacitor can cause serious injury.

Mechanical hazards

Loose or missing items (for example, nuts and screws) can cause serious injury.

To inspect each SAN Volume Controller node for unsafe conditions, perform the following steps. If necessary, see any suitable safety publications.

1. Turn off the SAN Volume Controller and disconnect the power cord.
2. Check the frame for damage (loose, broken, or sharp edges).
3. Check the power cables using the following steps:
 - a. Ensure that the third-wire ground connector is in good condition. Use a meter to check that the third-wire ground continuity is 0.1 ohm or less between the external ground pin and the frame ground.
 - b. Ensure that the power cord is the appropriate type, as specified in the parts listings.
 - c. Ensure that the insulation is not worn or damaged.
4. Check for any obvious nonstandard changes, both inside and outside the unit. Use good judgment about the safety of any such changes.
5. Check inside the SAN Volume Controller for any obvious unsafe conditions, such as metal particles, contamination, water or other fluids, or marks of overheating, fire, or smoke damage.
6. Check for worn, damaged, or pinched cables.
7. Ensure that the voltage that is specified on the product-information label matches the specified voltage of the electrical power outlet. If necessary, verify the voltage.
8. Inspect the power-supply assemblies and check that the fasteners (screws or rivets) in the cover of the power-supply unit have not been removed or disturbed.
9. Before connecting the SAN Volume Controller to the storage area network (SAN), check the grounding.

External device check

Ensure that you perform an external device check before you install or service the SAN Volume Controller.

To conduct an external device check, perform the following steps:

1. Verify that all external covers are present and are not damaged.
2. Ensure that all latches and hinges are in the correct operating condition.
3. If the SAN Volume Controller is not installed in a rack cabinet, check for loose or broken feet.
4. Check the power cord for damage.
5. Check the external signal cable for damage.
6. Check the cover for sharp edges, damage, or alterations that expose the internal parts of the device.
7. Correct any problems that you find.

Internal device checks

Ensure that you perform an internal device check before you install or service the SAN Volume Controller.

To conduct the internal device check, perform the following steps:

1. Check for any non-IBM changes that might have been made to the device. If any are present, obtain the “Non-IBM Alteration Attachment Survey,” form number R009, from the IBM branch office. Complete the form and return it to the branch office.
2. Check the condition of the inside of the device for any metal or other contaminants, or any indications of water, other fluid, fire, or smoke damage.
3. Check for any obvious mechanical problems, such as loose components.
4. Check any exposed cables and connectors for wear, cracks, or pinching.

Checking the grounding of a SAN Volume Controller, the uninterruptible power supply, and the redundant ac-power switch

Ensure that you understand how to check the grounding of a SAN Volume Controller, the uninterruptible power supply, and the optional redundant ac-power switch feature.

Ensure that you understand how to check the grounding of a SAN Volume Controller, the uninterruptible power supply, and the optional redundant ac-power switch.

To test the grounding of a SAN Volume Controller node, perform the following steps. Before you start, confirm that you know the SAN Volume Controller model type and whether you are using redundant ac power. Determine the location of the signal cables that are attached to the SAN Volume Controller.

When you are asked to test the grounding continuity, use your local procedures to perform the test. The test is successful if the measured resistance is 0.1 ohm or less.

Attention: Some electrical circuits can be damaged if the external signal cables are present at the SAN Volume Controller while it is undergoing a grounding test.

1. Ensure that the SAN Volume Controller node is powered off. See “MAP 5350: Powering off a SAN Volume Controller node” in the *IBM System Storage SAN Volume Controller Troubleshooting Guide*.
2. Disconnect all signal cables from the SAN Volume Controller node, which includes the following cables:
 - The fibre-channel cables
 - The Ethernet cable or cables
 - The serial cable that is connected to the uninterruptible power supply
3. Disconnect all signal cables from the uninterruptible power supply.
4. If redundant ac power is not used, disconnect the uninterruptible power-supply power cable from the site power-distribution unit.
5. If redundant ac power is used, turn off any SAN Volume Controller that is being supplied from the redundant ac-power switch, and remove the power cable to this system from the redundant ac-power switch.
6. If redundant ac power is used, disconnect **both** input power leads from the site power distribution units.
7. If redundant ac power is not used, test the grounding continuity between a conductive area on the SAN Volume Controller frame and the ground pin on the plug of the uninterruptible power-supply input-power cable.
8. If redundant ac power is used, test the grounding continuity between a conductive area on the SAN Volume Controller frame and the ground pin on

the plug of the main power cable of the redundant ac-power switch. If the test is successful, test the grounding continuity between a conductive area on the SAN Volume Controller frame and the ground pin on the plug of the backup power cable of the redundant ac-power switch. Both tests must be successful.

9. After you have completed testing the grounding continuity, perform one of the following procedures, depending on the outcome of the test.
 - If the test is successful, reconnect any cables that were removed, and power on any uninterruptible power-supply units and SAN Volume Controller nodes that were powered off.
 - If the test was not successful, ensure that all cables are securely connected. If the test still fails, test the individual system components. Before you test the individual components, remove all cables from the components. If any component test fails, replace the component. After each component has been tested and the failing ones have been replaced, repeat the complete system test by returning to step 1 on page xi.

Test the components in the following order:

- a. The SAN Volume Controller node, from the frame to the ground pin of the input power receptacle
- b. The uninterruptible power supply from the ground pin of the input power receptacle to the ground conductor of the output power receptacle
- c. If used, the redundant ac-power switch from the ground pin of the main input power receptacle to the ground conductor of the output power receptacle, and from the ground pin of the backup input power receptacle to the ground conductor of the output power receptacle
- d. The SAN Volume Controller node to uninterruptible power-supply power-cable assembly, between the two ground conductors of the power cable
- e. The uninterruptible power-supply input-power cable, between the two ground conductors of the power cable
- f. If used, the redundant ac-power switch main input-power cable, between the two ground conductors of the cable
- g. If used, the redundant ac-power switch backup input-power cable, between the two ground conductors of the cable

Inspecting the uninterruptible power supply for unsafe conditions

Ensure that you take the time to inspect the uninterruptible power supply for unsafe conditions.

Consider the following conditions and their potential safety hazards:

Electrical hazards (especially primary power)

Primary voltage on the frame can cause serious or lethal electrical shock.

Explosive hazards

A bulging capacitor can cause serious injury.

Mechanical hazards

Loose or missing items (for example, nuts and screws) can cause serious injury.

Use caution when working in a potential safety hazard that is not covered in the safety checks. If unsafe conditions are present, determine how serious the hazards are and whether you can continue before you correct the problem.

Using the following inspection checklist as a guide, inspect the uninterruptible power supply for unsafe conditions. If necessary, see any suitable safety publications.

1. If any equipment has been damaged during the shipment, keep the shipping cartons and packing materials.
2. To file a claim for the shipping damage, perform the following steps:
 - a. File with the carrier within fifteen days of receipt of the equipment.
 - b. Send a copy of the damage claim within fifteen days to your service support representative.

Handling static-sensitive devices

Ensure that you understand how to handle devices that are sensitive to static electricity.

Attention: Static electricity can damage electronic devices and your system. To avoid damage, keep static-sensitive devices in their static-protective bags until you are ready to install them.

To reduce the possibility of electrostatic discharge, observe the following precautions:

- Limit your movement. Movement can cause static electricity to build up around you.
- Handle the device carefully, holding it by its edges or frame.
- Do not touch solder joints, pins, or exposed printed circuitry.
- Do not leave the device where others can handle and possibly damage the device.
- While the device is still in its antistatic bag, touch it to an unpainted metal part of the system unit for at least two seconds. (This action removes static electricity from the package and from your body.)
- Remove the device from its package and install it directly into your SAN Volume Controller, without putting it down. If it is necessary to put the device down, place it onto its static-protective bag. (If your device is an adapter, place it component-side up.) Do not place the device onto the cover of the SAN Volume Controller or onto a metal table.
- Take additional care when you handle devices during cold weather because heating reduces indoor humidity and increases static electricity.

Environmental notices and statements

You must become familiar with the environmental notices and statements.

The following topics describe the environmental notices and statements that are applicable to this product.

Product recycling and disposal

Ensure that you are aware of the materials that must be recycled. Before using this information and the product that it supports, read the *IBM Environmental Notices and User Guide* on the SAN Volume Controller Documentation CD.

About this guide

This guide describes the SAN Volume Controller node and provides detailed installation instructions.

Use this guide to perform the following tasks:

- Install a new SAN Volume Controller system or extend an existing system.
- Install one or more SAN Volume Controller nodes and related hardware components, such as uninterruptible power supply units or an optional redundant ac-power switch.
- Connect SAN Volume Controller components to a SAN.
- Manage connections to an Ethernet network.
- Verify the completeness of a SAN Volume Controller installation.

The topics within this book provide conceptual, planning, and installation information for the SAN Volume Controller hardware model that was ordered.

Who should use this guide

The intended audience for this guide is the IBM service representative.

This guide should be read by the IBM service representative who is responsible for the initial installation of the SAN Volume Controller hardware, including the redundant ac-power switch and the uninterruptible power supply.

After the IBM service representative has installed the SAN Volume Controller hardware, the customer must use the *IBM System Storage SAN Volume Controller Software Installation and Configuration Guide* to install any additional software and to configure the SAN Volume Controller.

Emphasis

Different typefaces are used in this guide to show emphasis.

The following typefaces are used to show emphasis:

Boldface	Text in boldface represents menu items and command names.
<i>Italics</i>	Text in <i>italics</i> is used to emphasize a word. In command syntax, it is used for variables for which you supply actual values, such as a default directory or the name of a cluster.
Monospace	Text in monospace identifies the data or commands that you type, samples of command output, examples of program code or messages from the system, or names of command flags, parameters, arguments, and name-value pairs.

SAN Volume Controller library and related publications

Product manuals, other publications, and Web sites contain information that relates to SAN Volume Controller.

SAN Volume Controller Information Center

The IBM System Storage SAN Volume Controller Information Center contains all of the information that is required to install, configure, and manage the SAN Volume Controller. The information center is updated between SAN Volume Controller product releases to provide the most current documentation. The information center is available at the following Web site:

<http://publib.boulder.ibm.com/infocenter/svcic/v3r1m0/index.jsp>

SAN Volume Controller library

Table 1 lists and describes the publications that make up the SAN Volume Controller library. Unless otherwise noted, these publications are available in Adobe® portable document format (PDF) from the following Web site:

www.ibm.com/storage/support/2145

Table 1. SAN Volume Controller library

Title	Description	Order number
<i>IBM System Storage SAN Volume Controller Planning Guide</i>	This guide introduces the SAN Volume Controller and lists the features that you can order. It also provides guidelines for planning the installation and configuration of the SAN Volume Controller.	GA32-0551
<i>IBM System Storage SAN Volume Controller Model 2145-CF8 Hardware Installation Guide</i>	This guide provides the instructions that the IBM service representative uses to install the hardware for SAN Volume Controller model 2145-CF8.	GC52-1356
<i>IBM System Storage SAN Volume Controller Model 2145-8A4 Hardware Installation Guide</i>	This guide provides the instructions that the IBM service representative uses to install the hardware for SAN Volume Controller model 2145-8A4.	GC27-2219
<i>IBM System Storage SAN Volume Controller Model 2145-8G4 Hardware Installation Guide</i>	This guide provides the instructions that the IBM service representative uses to install the hardware for SAN Volume Controller model 2145-8G4.	GC27-2220

Table 1. SAN Volume Controller library (continued)

Title	Description	Order number
<i>IBM System Storage SAN Volume Controller Models 2145-8F2 and 2145-8F4 Hardware Installation Guide</i>	This guide provides the instructions that the IBM service representative uses to install the hardware for SAN Volume Controller models 2145-8F2 and 2145-8F4.	GC27-2221
<i>IBM System Storage SAN Volume Controller Software Installation and Configuration Guide</i>	This guide provides guidelines for configuring your SAN Volume Controller. Instructions for backing up and restoring the cluster configuration, using and upgrading the SAN Volume Controller Console, using the CLI, upgrading the SAN Volume Controller software, and replacing or adding nodes to a cluster are included.	SC23-6628
<i>IBM System Storage SAN Volume Controller CIM Agent Developer's Guide</i>	This guide describes the concepts of the Common Information Model (CIM) environment. Steps about using the CIM agent object class instances to complete basic storage configuration tasks, establishing new Copy Services relationships, and performing CIM agent maintenance and diagnostic tasks are included.	SC23-6665
<i>IBM System Storage SAN Volume Controller Command-Line Interface User's Guide</i>	This guide describes the commands that you can use from the SAN Volume Controller command-line interface (CLI).	SC26-7903
<i>IBM System Storage SAN Volume Controller Host Attachment Guide</i>	This guide provides guidelines for attaching the SAN Volume Controller to your host system.	SC26-7905
<i>IBM System Storage SAN Volume Controller Troubleshooting Guide</i>	This guide describes the features of each SAN Volume Controller model, explains how to use the front panel, and provides maintenance analysis procedures to help you diagnose and solve problems with the SAN Volume Controller.	GC27-2227

Table 1. SAN Volume Controller library (continued)

Title	Description	Order number
<i>IBM System Storage SAN Volume Controller Hardware Maintenance Guide</i>	This guide provides the instructions that the IBM service representative uses to service the SAN Volume Controller hardware, including the removal and replacement of parts.	GC27-2226
<i>IBM System Storage SAN Volume Controller Master Console Guide</i>	This guide describes how to install, maintain, and service the master console.	GC27-2223
<i>IBM Systems Safety Notices</i>	This guide contains translated caution and danger statements. Each caution and danger statement in the SAN Volume Controller documentation has a number that you can use to locate the corresponding statement in your language in the <i>IBM Systems Safety Notices</i> document.	G229-9054

Other IBM publications

Table 2 lists IBM publications that contain information related to the SAN Volume Controller.

Table 2. Other IBM publications

Title	Description	Order number
<i>IBM System Storage Productivity Center Introduction and Planning Guide</i>	This guide introduces the IBM System Storage Productivity Center hardware and software.	SC23-8824
<i>Read This First: Installing the IBM System Storage Productivity Center</i>	This guide describes how to install the IBM System Storage Productivity Center hardware.	GI11-8938
<i>IBM System Storage Productivity Center User's Guide</i>	This guide describes how to configure the IBM System Storage Productivity Center software.	SC27-2336
<i>IBM System Storage Multipath Subsystem Device Driver User's Guide</i>	This guide describes the IBM System Storage Multipath Subsystem Device Driver for IBM System Storage products and how to use it with the SAN Volume Controller.	GC52-1309

Table 2. Other IBM publications (continued)

Title	Description	Order number
<i>Implementing the IBM System Storage SAN Volume Controller V4.3</i>	This IBM Redbooks® publication is a detailed technical guide to the IBM System Storage SAN Volume Controller. It provides a high-level overview of storage virtualization and the SAN Volume Controller architecture, discusses implementing and configuring the SAN Volume Controller, tells you how to migrate existing storage to the SAN Volume Controller, and discusses different supported migration activities.	SG24-6423

IBM documentation and related Web sites

Table 3 lists Web sites that provide publications and other information about the SAN Volume Controller or related products or technologies.

Table 3. IBM documentation and related Web sites

Web site	Address
Support for SAN Volume Controller (2145)	www.ibm.com/storage/support/2145
Support for IBM System Storage and IBM TotalStorage® products	www.ibm.com/storage/support/
IBM Publications Center	www.ibm.com/shop/publications/order/
IBM Redbooks publications	www.redbooks.ibm.com/

Related accessibility information

To view a PDF file, you need Adobe Acrobat Reader, which can be downloaded from the Adobe Web site:

www.adobe.com/support/downloads/main.html

Related Web sites

The following Web sites provide information about the SAN Volume Controller or related products or technologies:

Type of information	Web site
SAN Volume Controller support	www.ibm.com/storage/support/2145
Technical support for IBM storage products	www.ibm.com/storage/support/

How to order IBM publications

The IBM Publications Center is a worldwide central repository for IBM product publications and marketing material.

The IBM Publications Center offers customized search functions to help you find the publications that you need. Some publications are available for you to view or download at no charge. You can also order publications. The publications center displays prices in your local currency. You can access the IBM Publications Center through the following Web site:

www.ibm.com/shop/publications/order/

How to send your comments

Your feedback is important to help us provide the highest quality information. If you have any comments about this book or any other documentation, you can submit them in one of the following ways:

- E-mail

Submit your comments electronically to the following e-mail address:

starpubs@us.ibm.com

Be sure to include the name and order number of the book and, if applicable, the specific location of the text you are commenting on, such as a page number or table number.

- Mail

Fill out the Readers' Comments form (RCF) at the back of this book. If the RCF has been removed, you can address your comments to:

International Business Machines Corporation
RCF Processing Department
Department 61C
9032 South Rita Road
Tucson, Arizona 85775-4401
U.S.A.

SAN Volume Controller installation and configuration overview

The installation and configuration of a SAN Volume Controller cluster requires the completion of various tasks, some of which are normally completed by an IBM service representative.

Additional publications are included with some of the hardware components; however, use the installation and configuration procedures in the documents that are listed here.

When you plan or perform the installation and configuration tasks, have the following SAN Volume Controller publications available:

- *IBM System Storage SAN Volume Controller Planning Guide*
- *IBM System Storage SAN Volume Controller Model 2145-XXX Hardware Installation Guide*, where 2145-XXX is a specific node model
- *IBM System Storage SAN Volume Controller Software Installation and Configuration Guide*

See the Support for SAN Volume Controller (2145) Web site for access to SAN Volume Controller publications:

www.ibm.com/storage/support/2145

The IBM System Storage Productivity Center (SSPC) is the management environment for SAN Volume Controller clusters. For SSPC planning, installation, and configuration information, see the following publications:

- *IBM System Storage Productivity Center Introduction and Planning Guide*, SC23-8824
- *Read This First: Installing the IBM System Storage Productivity Center*, GI11-8938
- *IBM System Storage Productivity Center User's Guide*, SC27-2336

To access the SSPC publications, go to the **Printable PDFs** section and click the **IBM System Storage Productivity Center** link from the following Web site:

publib.boulder.ibm.com/infocenter/tivihelp/v4r1/index.jsp

Note: A master console can be upgraded to support clusters that are running the latest SAN Volume Controller software. For details, see the *IBM System Storage SAN Volume Controller Master Console Guide* at the Support for SAN Volume Controller (2145) Web site:

www.ibm.com/storage/support/2145

Planning tasks to complete before installing the SAN Volume Controller

Before you install the SAN Volume Controller, you must complete the following planning tasks or have them completed by an IBM service representative or IBM Business Partner:

1. **Verify that all the SAN Volume Controller installation requirements have been met.**

Review Chapter 2 of the *IBM System Storage SAN Volume Controller Planning Guide* to make sure that space and power requirements have been met before you begin the installation. SAN Volume Controller nodes and uninterruptible power-supply units are installed in pairs.

2. Review SAN fabric and zoning guidelines and develop your SAN Volume Controller cluster, host systems, and storage controllers plan.

This task helps to assure a seamless configuration. For more information, see Chapters 3 and 4 of the *IBM System Storage SAN Volume Controller Planning Guide*.

3. Complete all physical planning charts.

Chapter 2 of the *IBM System Storage SAN Volume Controller Planning Guide* provides instructions for accessing and completing the following charts and tables:

- Hardware location chart
- Cable connection table
- Configuration data table
- Redundant ac-power connection chart

The SAN Volume Controller charts and tables are available at the Support for SAN Volume Controller (2145) Web site:

www.ibm.com/storage/support/2145

You can save, edit, and share the charts and tables between members of the installation team.

For the SSPC, complete the planning worksheet in the Appendix of the *IBM System Storage Productivity Center Introduction and Planning Guide*.

You can also obtain the planning work sheet from the IBM System Storage Productivity Center Information Center at <http://publib.boulder.ibm.com/infocenter/tivihelp/v4r1/index.jsp>. In the left navigation pane, click **System Storage Productivity Center** → **Getting started** → **Planning work sheet**.

Hardware installation tasks that an IBM service representative performs

To install the SAN Volume Controller hardware, an IBM service representative must complete the following tasks:

1. Verify that you have all of the required parts for the installation.

Chapter 2 of the *IBM System Storage SAN Volume Controller Model 2145-XXX Hardware Installation Guide* provides a list of all the parts that are required for an installation. The list includes the SAN Volume Controller nodes, uninterruptible power-supply units, optional redundant ac-power switches, and associated parts.

2. Install the SAN Volume Controller hardware.

Chapter 2 of the *IBM System Storage SAN Volume Controller Model 2145-XXX Hardware Installation Guide* describes the procedures for installing the uninterruptible power-supply units, SAN Volume Controller nodes, and the optional redundant ac-power switches.

3. Install the SSPC server.

Read This First: Installing the IBM System Storage Productivity Center describes how to install the SSPC server.

Configuration tasks

To configure a SAN Volume Controller cluster, you must complete the following tasks or have them completed by an IBM service representative or IBM Business Partner:

1. Register your product.

To receive product support notifications from IBM, you must register your product. To register your product, click **Register** at the Support for IBM System Storage and TotalStorage products Web site:

[www.ibm.com/systems/support/supportsite.wss/
brandmain?brandind=5345868](http://www.ibm.com/systems/support/supportsite.wss/brandmain?brandind=5345868)

2. Optionally, check for an updated version of the SAN Volume Controller Console (GUI) software.

For the latest information, click **Install/use**, and then click the link for the appropriate recommended software level from the Support for SAN Volume Controller (2145) Web site:

www.ibm.com/storage/support/2145

Additionally, preinstalled software on the SSPC console might need to be updated to fully support the latest level of SAN Volume Controller. For the latest information, go to the Support for System Storage Productivity Center (SSPC) Web site:

www.ibm.com/systems/support/storage/software/sspc

3. Configure the IBM System Storage Productivity Center.

The *IBM System Storage Productivity Center User's Guide* describes how to configure the SSPC for the SAN Volume Controller.

4. Create a SAN Volume Controller cluster.

The *IBM System Storage SAN Volume Controller Software Installation and Configuration Guide* describes this procedure, which is completed in two phases:

- a. Use the Create Cluster option on the front panel of one of the SAN Volume Controller nodes that you have installed to create the cluster.

This procedure is usually performed by an IBM representative or IBM Business Partner using information that the customer provides.

- b. Use the Add a Cluster function from the SAN Volume Controller Console.

5. Complete the initial SAN Volume Controller configuration.

After you create the SAN Volume Controller cluster, you must perform the configuration procedures that are needed to meet your requirements. You can perform these procedures in stages; for example, add nodes to a cluster, set cluster date and time, and set license features immediately. Later, after your applications are tested and migrated to SAN Volume Controller, create host definitions, assign managed disks (MDisks) to MDisk groups, and set up virtual disks (VDisks) and assign them to hosts.

You can also set up event notifications, including Call Home e-mails, to immediately notify you and the IBM Support Center if critical problems occur.

The *IBM System Storage SAN Volume Controller Software Installation and Configuration Guide* describes how to perform these steps by using either the SAN Volume Controller Console or the command-line interface (CLI).

Chapter 1. SAN Volume Controller overview

The SAN Volume Controller combines software and hardware into a comprehensive, modular appliance that uses symmetric virtualization.

Symmetric virtualization is achieved by creating a pool of managed disks (MDisks) from the attached storage systems. Those storage systems are then mapped to a set of virtual disks (VDisks) for use by attached host systems. System administrators can view and access a common pool of storage on the storage area network (SAN). This functionality helps administrators to use storage resources more efficiently and provides a common base for advanced functions.

Each SAN Volume Controller node is an individual server in a SAN Volume Controller cluster on which the SAN Volume Controller software runs.

The nodes are always installed in pairs, with a minimum of one and a maximum of four pairs of nodes constituting a *cluster*. Each pair of nodes is known as an *I/O group*. All I/O operations that are managed by the nodes in an I/O group are cached on both nodes.

SAN Volume Controller operating environment

To use the SAN Volume Controller, you must meet the minimum hardware and software requirements and ensure that other operating environment criteria are met.

Minimum requirements

You must set up your SAN Volume Controller operating environment according to the following requirements:

- Minimum of one pair of SAN Volume Controller nodes
- Minimum of two uninterruptible power supply units
- One IBM System Storage Productivity Center or one master console per SAN installation for configuration

SAN Volume Controller 2145-CF8 node features

The SAN Volume Controller 2145-CF8 node has the following features:

- A 19-inch rack-mounted enclosure
- One 4-port 8 Gbps fibre-channel adapter
- 24 GB memory
- One quad-core processor
- Dual, redundant power supplies
- Supports up to four optional solid-state drives (SSDs)

Redundant ac-power switch

The redundant ac-power switch is an optional feature that makes the SAN Volume Controller nodes resilient to the failure of a single power circuit. The redundant ac-power switch is not a replacement for an uninterruptible power supply. You must still use a uninterruptible power supply for each node.

You must connect the redundant ac-power switch to two independent power circuits. One power circuit connects to the main power input port and the other power circuit connects to the backup power-input port. If the main power to the SAN Volume Controller node fails for any reason, the redundant ac-power switch automatically uses the backup power source. When power is restored, the redundant ac-power switch automatically changes back to using the main power source.

Place the redundant ac-power switch in the same rack as the SAN Volume Controller node. The redundant ac-power switch logically sits between the rack power distribution unit and the 2145 UPS-1U.

You can use a single redundant ac-power switch to power one or two SAN Volume Controller nodes. If you use the redundant ac-power switch to power two nodes, the nodes must be in different I/O groups. In the event that the redundant ac-power switch fails or requires maintenance, both nodes turn off. Because the nodes are in two different I/O groups, the hosts do not lose access to the back-end disk data.

For maximum resilience to failure, use one redundant ac-power switch to power each SAN Volume Controller node.

Figure 1 shows a redundant ac-power switch.



Figure 1. Photo of the redundant ac-power switch

Cabling of redundant ac-power switch (example)

You must properly cable the redundant ac-power switch units in your environment.

Note: While this topic provides an example of the cable connections, it does not indicate a preferred physical location for the components.

Figure 2 on page 3 shows an example of the main wiring for a SAN Volume Controller cluster with the redundant ac-power switch feature. The four-node cluster consists of two I/O groups:

- I/O group 0 contains nodes A and B
- I/O group 1 contains nodes C and D

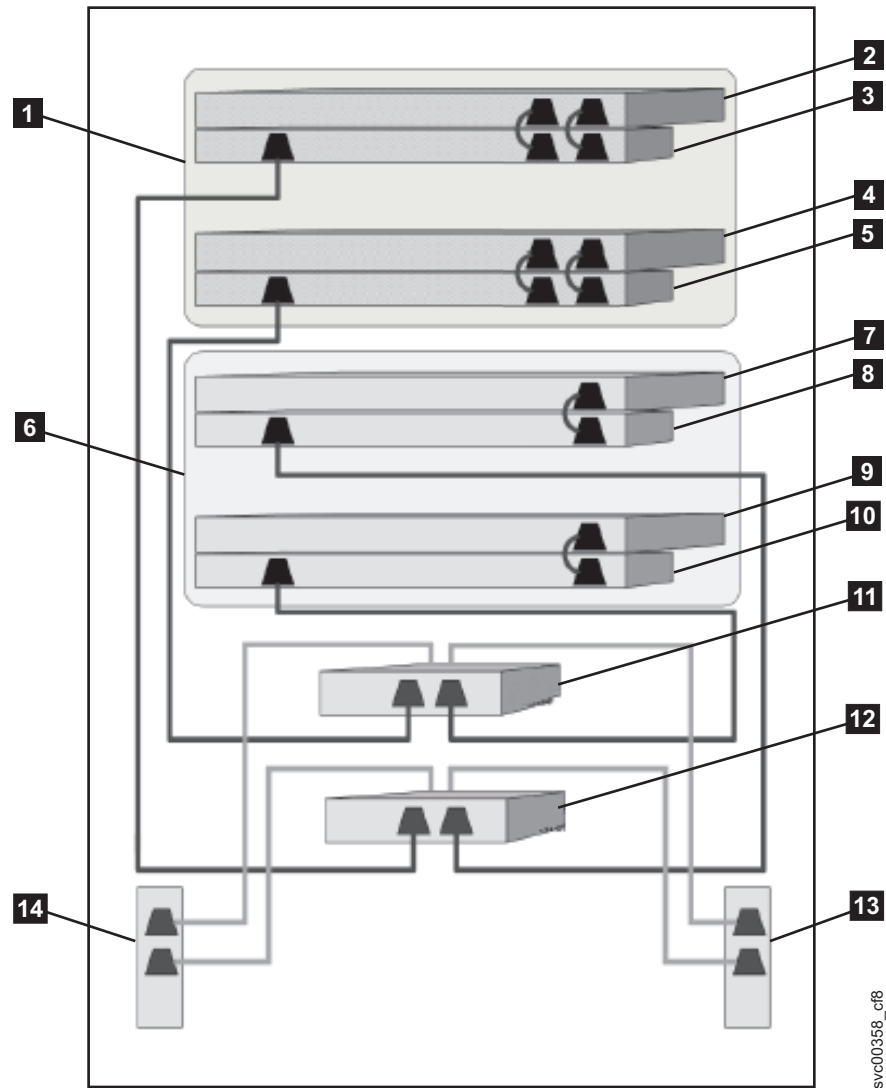


Figure 2. A four-node SAN Volume Controller cluster with the redundant ac-power switch feature

- 1** I/O group 0
- 2** SAN Volume Controller node A
- 3** 2145 UPS-1U A
- 4** SAN Volume Controller node B
- 5** 2145 UPS-1U B
- 6** I/O group 1
- 7** SAN Volume Controller node C
- 8** 2145 UPS-1U C
- 9** SAN Volume Controller node D
- 10** 2145 UPS-1U D
- 11** Redundant ac-power switch 1

12 Redundant ac-power switch 2

13 Site PDU X (C13 outlets)

14 Site PDU Y (C13 outlets)

The site PDUs X and Y (**13** and **14**) are powered from two independent power sources.

In this example, only two redundant ac-power switch units are used, and each power switch powers one node in each I/O group. However, for maximum redundancy, use one redundant ac-power switch to power each node in the cluster.

Some SAN Volume Controller node types have two power supply units. Both power supplies must be connected to the same 2145 UPS-1U, as shown by node A and node B. The SAN Volume Controller 2145-CF8 is an example of a node that has two power supplies. The SAN Volume Controller 2145-8A4 is an example of a node that has a single power supply.

Uninterruptible power supply

The uninterruptible power supply protects a SAN Volume Controller node against blackouts, brownouts, and power surges. The uninterruptible power supply contains a power sensor to monitor the supply and a battery to provide power until an orderly shutdown of the system can be performed.

SAN Volume Controller 2145-CF8 uses the 2145 UPS-1U.

2145 UPS-1U

A 2145 UPS-1U is used exclusively to maintain data that is held in the SAN Volume Controller dynamic random access memory (DRAM) in the event of an unexpected loss of external power. This use differs from the traditional uninterruptible power supply that enables continued operation of the device that it supplies when power is lost.

With a 2145 UPS-1U, data is saved to the internal disk of the SAN Volume Controller node. The uninterruptible power supply units are required to power the SAN Volume Controller nodes even when the input power source is considered uninterruptible.

Note: The uninterruptible power supply maintains continuous SAN Volume Controller-specific communications with its attached SAN Volume Controller nodes. A SAN Volume Controller node cannot operate without the uninterruptible power supply. The uninterruptible power supply must be used in accordance with documented guidelines and procedures and must not power any equipment other than a SAN Volume Controller node.

2145 UPS-1U configuration

A 2145 UPS-1U powers one SAN Volume Controller node.

To make the SAN Volume Controller cluster more resilient against power failure, the 2145 UPS-1U units can be connected to the redundant ac-power switch.

If a redundant ac-power switch is not used, the two uninterruptible power supplies that power an I/O group can be connected to different, independent electrical power sources. In this case, if a single power source fails, only one node

in the I/O group stops and the SAN Volume Controller cluster can continue to operate, although with reduced performance.

Each uninterruptible power supply must be in the same rack as the node that it powers.

Each 2145 UPS-1U includes one power cord that connects the uninterruptible power supply to a redundant ac-power switch, if one exists, or to a rack power distribution unit (PDU), if one exists. The 2145 UPS-1U also includes an alternative power cable to connect to an external power source that is specific to your geography.

Each 2145 UPS-1U is connected to a SAN Volume Controller node with a power cable and a signal cable. To avoid the possibility of power and signal cables being connected to different uninterruptible power supplies, these cables are wrapped together and supplied as a single field-replaceable unit (FRU). The SAN Volume Controller node reads status and identification information from the uninterruptible power supply using the signal cable.

Chapter 2. Installing the SAN Volume Controller 2145-CF8 hardware

There are several steps that you must perform to prepare, and then install the SAN Volume Controller hardware.

To install the SAN Volume Controller hardware, perform the following tasks in order.

Note: If you are adding a new I/O group to an existing SAN Volume Controller cluster, there is no need to turn off the existing, operating cluster nodes.

1. Prepare for the SAN Volume Controller hardware installation by confirming that you have all the planning information and parts that you require.
2. Optionally, install and verify the operation of the redundant ac-power switch, if the redundant ac-power switch is not already in use for a node.
3. Install the uninterruptible power supply.
4. Install the node.
5. Connect the fibre-channel and Ethernet cables to the node.
6. Connect the node to the uninterruptible power supply.
7. Verify that the node is operational.

After you finish these steps, the hardware installation is complete. The customer is responsible for all configuration tasks.

Preparing for the hardware installation

You must prepare for the installation of the optional redundant ac-power switch, the uninterruptible power supply, and the SAN Volume Controller.

Figure 3 on page 8 illustrates the major hardware components that you need.

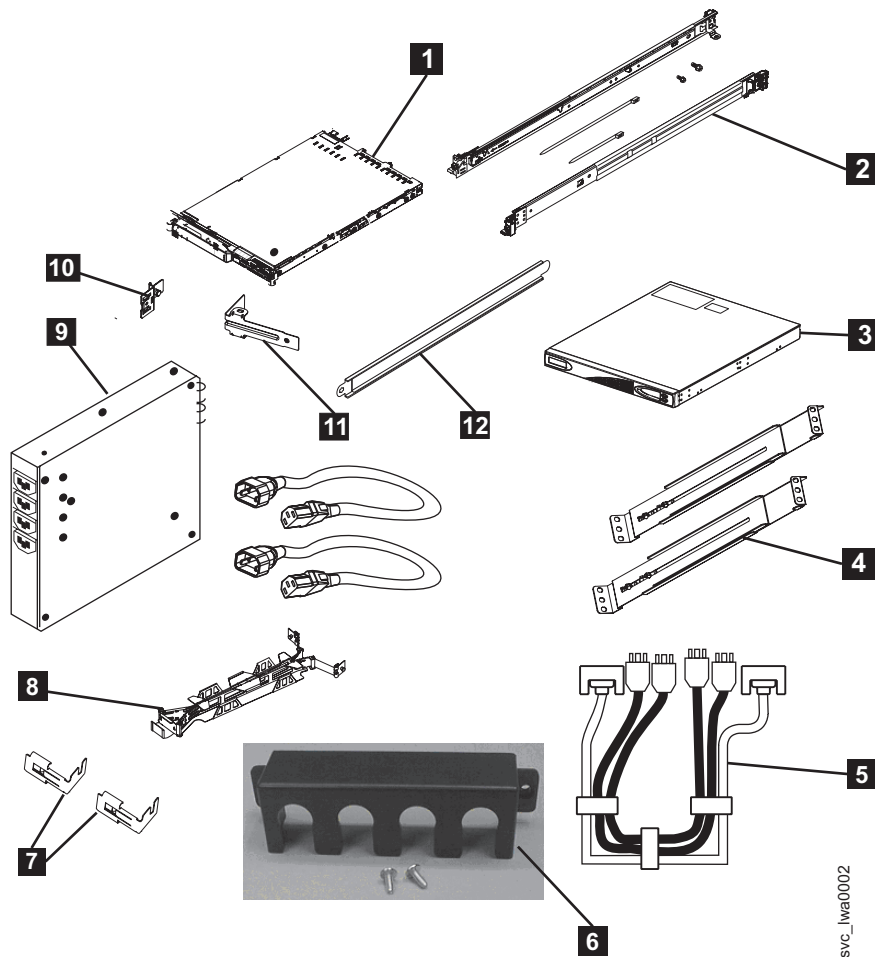


Figure 3. Parts provided for SAN Volume Controller 2145-CF8 hardware installation in a rack

- 1** SAN Volume Controller node
- 2** SAN Volume Controller support rails (2)
- 3** 2145 UPS-1U
- 4** 2145 UPS-1U support rails (2)
- 5** Power and signal cable assembly
- 6** 2145 UPS-1U cable-retention bracket
- 7** SAN Volume Controller cable-retention brackets
- 8** SAN Volume Controller cable-management arm assembly
- 9** Optionally, one or more redundant ac-power switches, two mounting brackets per switch, and power cables
- 10** SAN Volume Controller cable-management arm mounting bracket
- 11** SAN Volume Controller cable-management arm stop bracket
- 12** SAN Volume Controller cable-management support arm

Not shown in Figure 3 are two 2145 UPS-1U input-power cables that are provided. One cable comes with the 2145 UPS-1U; it has an IEC 320-C14 plug, which is suitable for most rack-mounted power distribution units. The other country-specific cable comes with the SAN Volume Controller node; this cable is intended for your country-specific power sockets. Use only one of these cables.

Before you start the installation, verify that all the parts that were ordered have been received and that all the component assemblies are complete. Verify that you know the quantity of nodes and optional features that were ordered.

Three boxes are shipped for each node: one box contains the uninterruptible power supply, one box contains the publications, and the third box contains all the other parts. A label on the third, or main, box indicates the features that were shipped.

Note:

1. You must install at least two SAN Volume Controller nodes. Each node requires an uninterruptible power supply.
2. Optionally, install two redundant ac-power switches to power the nodes in an I/O group through two 2145 UPS-1U units.
3. You must ensure that you have the appropriate cables to connect the redundant ac-power switch or uninterruptible power supply to the power distribution unit. See Appendix B, "SAN Volume Controller physical installation planning," on page 41 for more details.

Perform the following steps to prepare for installation:

1. Ensure that you have everything you need for installation, including the customer-completed planning tables and charts. The customer can obtain the planning tables and charts from www.ibm.com/storage/support/2145.

The *IBM System Storage SAN Volume Controller Planning Guide* provides guidelines for completing the planning tables and charts. These tables include the location of hardware, cable connection, and configuration data information that you need to complete the installation procedures. If you are connecting cables to switches that are currently in use, confirm with the customer that it is safe for you to proceed. Go no further with these instructions until you are satisfied that all the information is correct and valid.

2. The label on the main box indicates features that were shipped. Make sure that the contents and quantity match the order.

The following feature codes are included:

- Feature code 0010: initial SAN Volume Controller 2145-CF8 software preinstalled on feature code 3001 and 3002
 - One of the following:
 - Feature code 3001: initial SAN Volume Controller 2145-CF8 node, quantity 1
 - Feature code 3002: additional SAN Volume Controller 2145-CF8 node, quantity 1
 - Optionally, feature code 4500: Solid-state drive (SSD) attachment, quantity 1
 - Optionally, feature code 4601: 146GB Solid-state drive (SSD), quantity 1 to 4
 - One of the following country-specific SAN Volume Controller 2145-CF8 power cable feature codes: 9714, 9715, 9716, 9717, 9718, 9719, 9720, 9721, 9722, 9723, 9724, 9725, 9726, or 9727.
 - Feature code 8115: 2145 UPS-1U kit, quantity 1
 - Optionally, feature codes 5301 and 5325 for SAN Volume Controller fiber-optic, fibre-channel cables, quantity 1 to 4
 - Optionally, feature code 8300: redundant ac-power switch, quantity 1
3. Check that the correct part set has been shipped for the feature codes. Unless otherwise stated, the feature code contents are in the main box.

- Feature code 0010 is preinstalled software. There is no shipped part for this software.
- Feature codes 3001 and 3002 ship the same parts. Verify that you have the following parts:
 - SAN Volume Controller 2145-CF8 node
 - Part number 49Y4827: SAN Volume Controller 2145-CF8 Support rail kit, quantity 1
 - Part number 49Y4831: SAN Volume Controller 2145-CF8 Cable-management arm assembly, quantity 1
 - Part number 31P1105: SAN Volume Controller publications and 31P1242: ship group in a separate box
 - 31P1105 contains:
 - SAN Volume Controller Publications CD
 - SAN Volume Controller Read first
 - *IBM Systems Safety Notices*
 - *IBM System Storage SAN Volume Controller Model 2145-CF8 Hardware Installation Guide*
 - *IBM System Storage SAN Volume Controller Software Installation and Configuration Guide*
 - *IBM System Storage SAN Volume Controller Troubleshooting Guide*
 - *IBM System Storage SAN Volume Controller Hardware Maintenance Guide*
 - SAN Volume Controller License information for IBM CIM agent and console for SAN Volume Controller Console
 - SAN Volume Controller License information for SAN Volume Controller
 - SAN Volume Controller Statement of Limited Warranty
 - IPLA booklet for warranted products
 - ILA booklet with pointer sheet
 - IBM agreement for acquisition of support
 - IBM license information for machine code
 - Other miscellaneous flyers
 - 31P1242 contains:
 - Part number 31P1243: SAN Volume Controller power cable-retention brackets, quantity 2
 - Part number 31P1294: Kit containing the power and signal cable bundle, quantity 1
 - The support rail kit contains a number of components within its box. Verify that you have the following items:
 - One left side rail
 - One right side rail
 - Two M6 screws in a plastic bag
 - Two other screws in a plastic bag
- Feature codes 9714, 9715, 9716, 9717, 9718, 9719, 9720, 9721, 9722, 9723, 9724, 9725, 9726, and 9727 each ship a single power cable. Use the power plug that is appropriate to your location unless you are connecting to a rack-mounted power distribution unit.
- Optional feature code 4500 ships installed in the SAN Volume Controller 2145-CF8 node, quantity 1 to 4

- Optional feature code 4601 ships installed in the SAN Volume Controller 2145-CF8 node, quantity 1
- Feature code 8115 ships in a separate box that is labeled part number 31P1319. Verify that this box contains the following items:
 - 2145 UPS-1U, quantity 1
 - 2145 UPS-1U output power-cable retention-bracket kit, quantity 1
 - Uninterruptible power-supply rail kit, quantity 1
 - Power cable for connection of the uninterruptible power supply to a rack PDU, quantity 1
 - Multilingual battery-reconnection flyer and other miscellaneous flyers
- Optional feature code 8300 ships in a box within the main box. Verify that the box contains the following items:
 - Part number 95P5083: redundant ac-power switch, quantity 1
 - Part number 31P0966: power cables, quantity 2
 - Part number 96P1728: mounting plates, quantity 2
 - Part number 12J5289: hex head screws, quantity 4
 - Part number 00N8709: “c” clips, quantity 4
 - Part number 24R0207: other screws, quantity 6
 - Part number 31P0876: label set, quantity 1

If feature codes 5301 or 5325 were not ordered, the customer must supply their own fiber-optic or twisted-pair fibre-channel cables. Make sure that four cables per node are available.

Note: Part numbers are subject to change between SAN Volume Controller releases. The part numbers listed here might not always reflect what the customer has received.

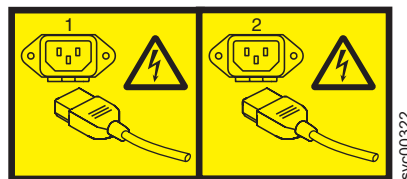
4. Read the “Safety and environmental notices” on page ix to ensure that you are correctly installing the 2145 UPS-1U units.

Optionally installing the redundant ac-power switch

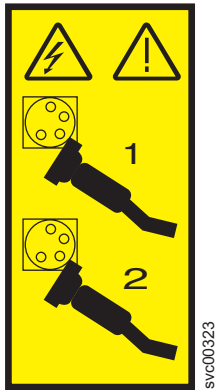
Use the redundant ac-power switch to make the SAN Volume Controller cluster more resilient to power failure.

DANGER

Multiple power cords: The product is equipped with multiple power cords. To remove all hazardous voltages, disconnect all power cords. (L003)



or



The following topics describe the redundant ac-power switch installation tasks in the order that they must be performed:

1. Attach the mounting plates to the redundant ac-power switch.
2. Label the cables.
3. Connect the power input cables to the redundant ac-power switch.
4. Install the redundant ac-power switch in the rack.
5. Connect the redundant ac-power switch to the site power.
6. Test the redundant ac-power switch to ensure that it automatically switches power supplies when the main power source fails or is restored.

Attaching the mounting plates to the redundant ac-power switch

Attach the mounting plates to the redundant ac-power switch before you label the cables.

Perform the following steps to attach the mounting plates to the redundant ac-power switch:

Attach each of the two mounting plates to the redundant ac-power switch using three M3 Torx T8 head screws. Position the mounting face on the side of the redundant ac-power switch containing the output power sockets. See Figure 4.



Figure 4. Attaching the mounting plates

Labeling the cables

You must label each end of the two redundant ac-power switch input-power cables before you connect the input-power cables to the redundant ac-power switch.

Perform the following steps to label each end of the two redundant ac-power switch input-power cables:

1. Label the rack power-distribution end “Power source <name>, outlet <id> to redundant ac-power switch <location> <MAIN | BACKUP> input.” For example, “Power source D2, outlet 4 to redundant ac-power switch pos 7 MAIN input.” One cable is labeled “MAIN;” the other is labeled “BACKUP.”
2. Label the redundant ac-power switch end “redundant ac-power switch <location> <MAIN | BACKUP> input from Power source <name>, outlet <id>.” One cable is labeled “MAIN;” the other is labeled “BACKUP.”

Connecting the input-power cables to the redundant ac-power switch

You will find it easier to connect the input-power cables to the redundant ac-power switch before you install the redundant ac-power switch in the rack.

Perform the following steps to connect the input-power cables to the redundant ac-power switch:

1. Connect the main input-power cable to the redundant ac-power switch.
2. Connect the backup input-power cable to the redundant ac-power switch.
3. Secure both the redundant ac-power switch input-power cables using the clips of the redundant ac-power switch. See Figure 5.



Figure 5. Power cable clips

Installing the redundant ac-power switch in the rack

You must install the redundant ac-power switch in the rear of the rack before you connect the redundant ac-power switch to the site power.

Perform the following steps to install the redundant ac-power switch in the rack:

1. Use the hardware location chart to determine where to install the redundant ac-power switch in the rack. The redundant ac-power switch can be installed horizontally in a rack slot or vertically in one of the side slots of the rack.
2. Position the four “C” clips in the rack’s mounting bar, as shown in Figure 6 on page 14.

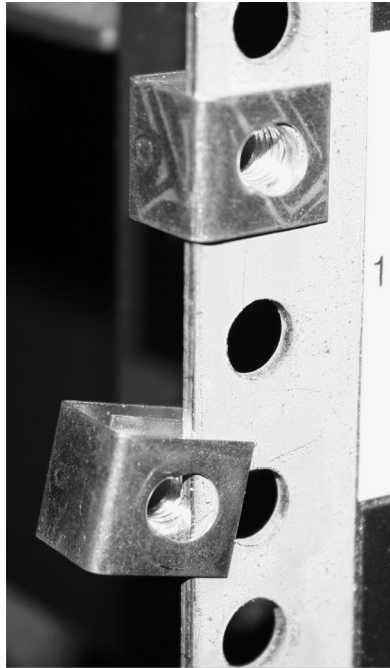


Figure 6. Positioning the clips

3. Position the redundant ac-power switch in the rack first, pushing the cables through to the front of the rack. Mount in place, as shown in Figure 7, using the four M6 screws.



Figure 7. Positioned in rack

Connecting the redundant ac-power switch to the site power

You must connect the redundant ac-power switch to the site power before you test the redundant ac-power switch.

Perform the following steps to connect the redundant ac-power switch to the site power:

1. Determine a suitable cable route from the redundant ac-power switch to the power distribution units.
2. Route the main input-power cable of the redundant ac-power switch to the specified power distribution unit, and connect it.
3. Route the backup input-power cable of the redundant ac-power switch to the specified power distribution unit, and connect it.
4. Verify that the redundant ac-power switch power cables are tidy. Ensure that they do not obstruct other equipment and that they are tied in place where necessary.

Testing the redundant ac-power switch

You can test the redundant ac-power switch before you continue installing other SAN Volume Controller components. You can test the redundant ac-power switch later if a suitable test device is not available.

You can test whether the redundant ac-power switch correctly switches between power inputs when the main input power fails or is restored. You can either use a volt meter to measure for voltage at the output or attach a work light, or similar device with a C14 plug, to the redundant ac-power switch output and verify that it remains powered when a failure is simulated on either of the inputs.

Notes:

- If you do not have a separate device to verify that there is power on the output port of the redundant ac-power switch, you can delay this test until you connect the redundant ac-power switch to the uninterruptible power supply. In that case, turn on the uninterruptible power supply (not the SAN Volume Controller node) and see if it changes to battery power. The test fails if the uninterruptible power supply switches to battery power for more than five seconds.
- Any transient indications of battery power can be ignored.

When the instructions say to “remove power,” you can either turn the power off if the site power-distribution unit (PDU) has outputs that are individually switched or remove the specified redundant ac-power switch power cable from the outlet of the site PDU.

Note: If at any time there is no power on the output socket, ensure that the power distribution sockets of the power source are turned on. If they are, recheck all of the connections and decide if the redundant ac-power switch assembly, which includes the input-power cables, is defective.

Perform the following steps to test the redundant ac-power switch:

1. Confirm that there is power at redundant ac-power switch output socket 2.
2. Confirm that there is power at redundant ac-power switch output socket 1.
3. Remove power from the main power cable to the redundant ac-power switch and confirm that there is power at the redundant ac-power switch output 1.
4. Reconnect the main power cable.
5. Remove power from the backup power cable to the redundant ac-power switch and confirm that there is power at the redundant ac-power switch output 1.
6. Reconnect the backup power cable and remove the monitoring device.

Note: After any failure, repeat the test phase from the start until all the tests succeed.

Installing the 2145 UPS-1U

Before you can use the SAN Volume Controller, you need to install the uninterruptible power supply.

Complete the following steps to install the 2145 UPS-1U:

1. Install the support rails for the 2145 UPS-1U.
2. Install the 2145 UPS-1U in the rack.
3. Install the 2145 UPS-1U cable-retention bracket.

Installing the support rails for the 2145 UPS-1U

You must install the support rails in the rack before installing the 2145 UPS-1U.

Complete the following prerequisites before installing the support rails:

1. Use the customer's hardware-location chart to determine where in the rack that the 2145 UPS-1U is to be installed.
2. At the back of the rack, observe the Electronic Industries Alliance (EIA) positions and determine where you are going to install the 2145 UPS-1U. Because of its weight, position the 2145 UPS-1U where it is easy to handle in one of the lower positions in the rack.

Perform the following steps to install the support rails for the 2145 UPS-1U:

1. Open the top of the 2145 UPS-1U shipping carton. Grip the flaps on either side of the 2145 UPS-1U.
2. Lift the 2145 UPS-1U clear of the shipping carton and place it on a flat, stable surface with the front facing you.
3. Attach the long side of a mounting bracket **1** to each side of the 2145 UPS-1U using four M3 × 6 screws **2** for each bracket, as shown in Figure 8.

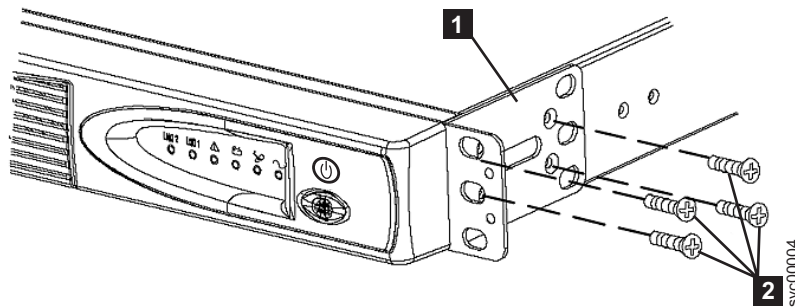


Figure 8. Installing the support rails for a 2145 UPS-1U into the rack

4. Loosen the assembly wing nuts (**1** in Figure 9) on both rail assemblies and adjust the rail size to the depth of your rack. After you adjust the depth, tighten the assembly wing nuts as much as possible while still allowing some movement.

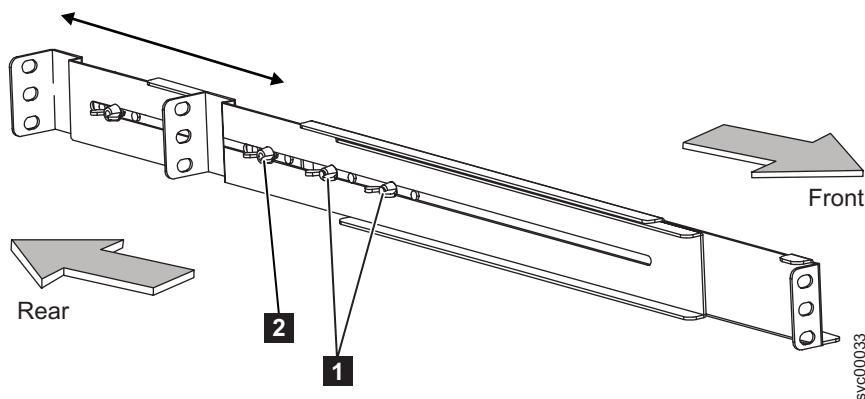


Figure 9. Adjusting the rail depth on the 2145 UPS-1U

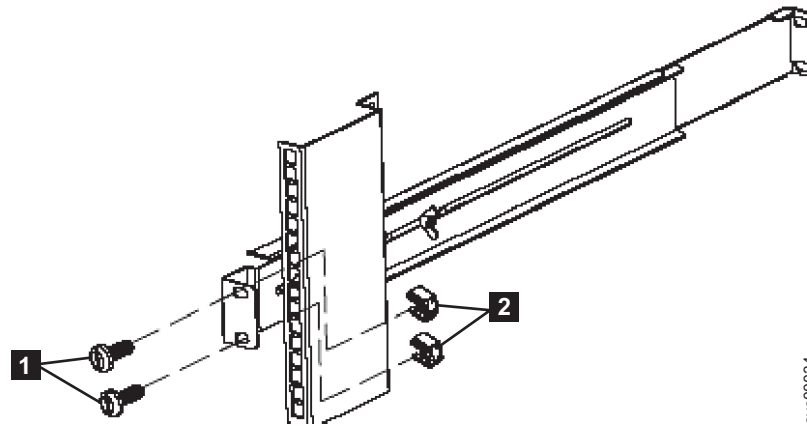
- 1** Assembly wing nuts

2 Wing nut

5. Select the holes in the rail where you want to position the 2145 UPS-1U.

Note: The bottom flange of the support rail must align with the EIA mark on the rack.

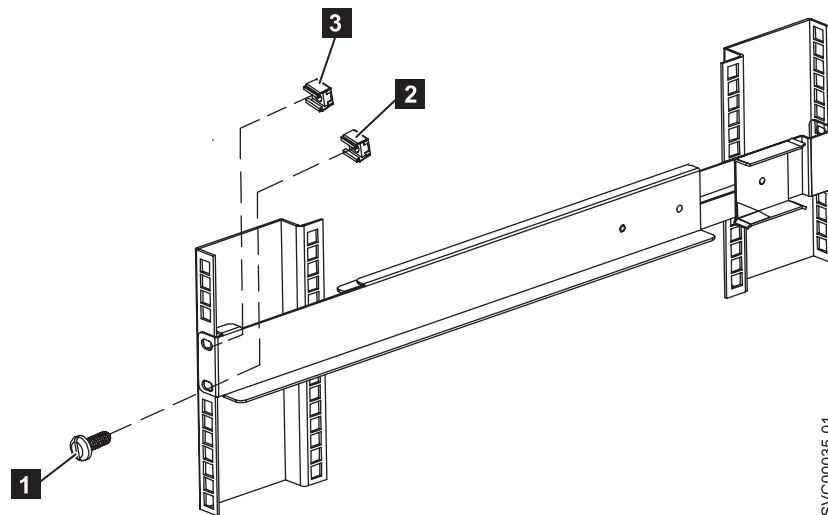
6. Using two M6 × 10 screws (**1** in Figure 10) and two clip nuts (**2**), attach the rail to the rear of the rack. The customer's rack might be different than the one shown here, and if so, might require different clip nuts or fasteners.



SVC00034

Figure 10. Securing the rear rail on the 2145 UPS-1U

7. Install two clip nuts (**2** and **3** in Figure 11) to the front of the rack, then attach the rail using just one M6 × 10 screw in the bottom mounting hole **1**.



SVC00035-01

Figure 11. Securing the front rail on the 2145 UPS-1U

8. Repeat steps 6 and 7 for the other rail.
9. Tighten the assembly wing nuts on both rail assemblies.

Installing the 2145 UPS-1U in the rack

After you have completed the preparation procedures, you are ready to install the 2145 UPS-1U in the rack.

Attention: See “Safety and environmental notices” on page ix before you start the installation process. Use the reference numbers in parentheses at the end of each safety notice to find the matching translated notice. For the translation of the danger, caution, and attention notices, see the *IBM Systems Safety Notices*.

CAUTION:

The uninterruptible power supply contains its own energy source (sealed, lead-acid batteries). The output receptacles might carry live voltage, even when the uninterruptible power supply is not connected to an ac supply. (11)

CAUTION:

Do not remove or unplug the input cord when the uninterruptible power supply is turned on. Unplugging the input cord removes the safety ground from the uninterruptible power supply and the equipment connected to the uninterruptible power supply. (12)

CAUTION:

To reduce the risk of fire or electric shock, install the uninterruptible power supply in a temperature- and humidity-controlled indoor environment, free of conductive contaminants. Ambient temperature must not exceed 40°C (104°F). Do not operate near water or excessive humidity (95% maximum). (13)

CAUTION:

To avoid any hazard from the rack tipping forward when devices are installed, observe all safety precautions for the rack into which you are installing the device.

Perform the following steps to install the 2145 UPS-1U in the rack.

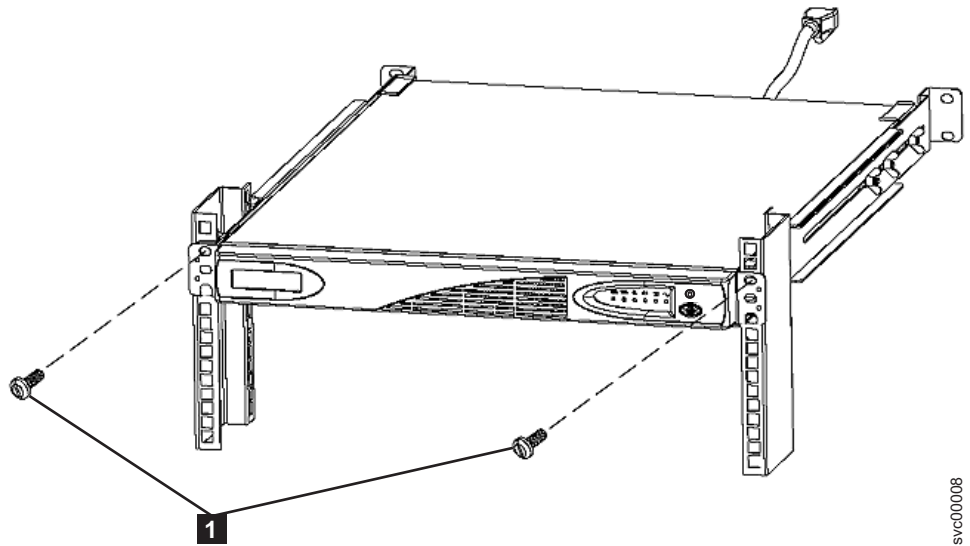
Note: You might have already completed steps 3 on page 19 through 6 on page 20 if you used the *Read Me First* pamphlet, which is included with the 2145 UPS-1U.

1. Stand at the front of the rack and place the back of the 2145 UPS-1U onto the support rails, and then slide the 2145 UPS-1U into the rack.

CAUTION:

The 2145 UPS-1U weighs 16 kg (35.3 lb). If you feel unsure about lifting the uninterruptible power supply to its location in the rack, seek assistance or remove the battery to reduce its weight.

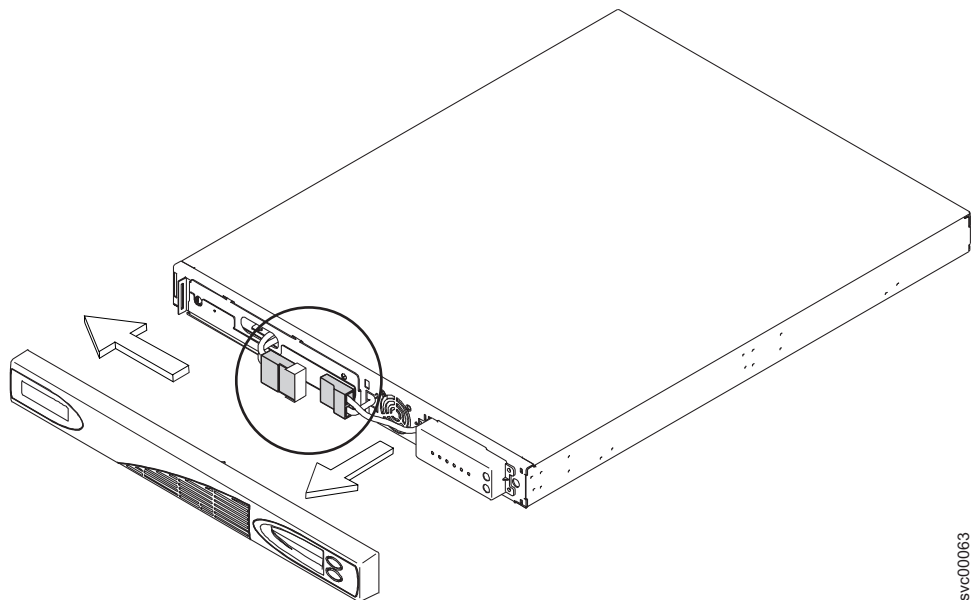
2. At the front of the 2145 UPS-1U, install the two mounting screws (M6x10) **1** as shown in Figure 12 on page 19.



svc00008

Figure 12. Mounting screws for the 2145 UPS-1U

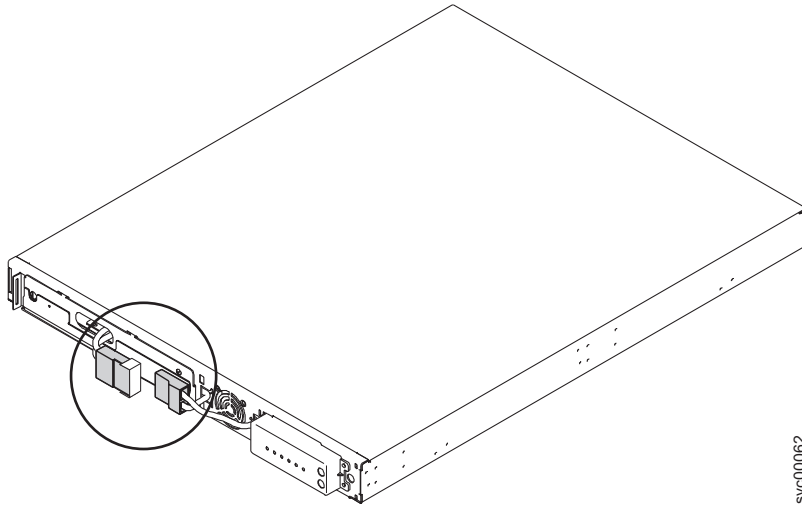
3. If you have not already connected the internal battery connector, remove the 2145 UPS-1U front panel, shown in Figure 13, by pushing the panel to the left and then pulling it forward.



svc00063

Figure 13. Removing the 2145 UPS-1U front panel

4. Remove the protective label from the internal battery connector (shown in Figure 14 on page 20).

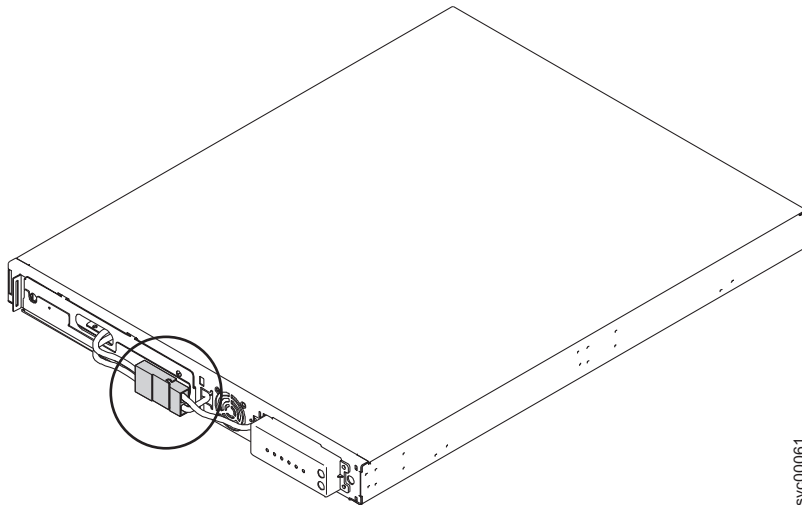


svc00062

Figure 14. The 2145 UPS-1U internal battery connector with protective tape

5. Connect the internal battery connector (shown in Figure 15). Each end of the keyed connector has two wires: one red (+) and one black (-). Align the connector so that the two red wires are joined together and the two black wires are joined together.

Note: A small amount of arcing might occur when connecting the batteries. This is normal and does not damage the unit or present any safety concerns.



svc00061

Figure 15. The 2145 UPS-1U internal-battery connector

6. Reinstall the front panel. You might first need to move the sliding section on the front of the 2145 UPS-1U to the closed position.
7. At the back of the 2145 UPS-1U, plug the 2145 UPS-1U main-power connector into the power socket.

The power socket is shown by **1** in Figure 16 on page 21.

The 2145 UPS-1U is in standby mode; so all indicators are off.

Connect each 2145 UPS-1U for an I/O group to a different power source.

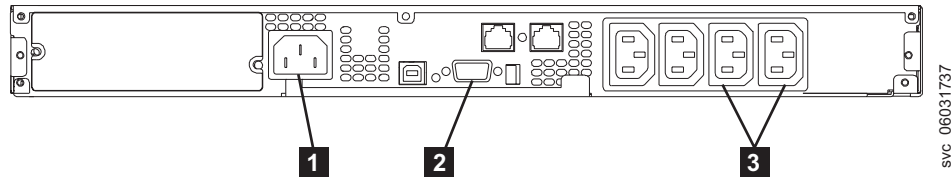


Figure 16. 2145 UPS-1U (rear view)

- 1** Main power connector
- 2** Communication port
- 3** Load segment 2 receptacles

Attention: Ensure that you comply with the following requirements:

- The voltage supplied to the 2145 UPS-1U must be 200 - 240 V single phase.
- The frequency supplied must be 50 or 60 Hz.

Notes:

- a. The 2145 UPS-1U has an integrated circuit breaker and does not require external protection.
 - b. The 2145 UPS-1U is intended to maintain power on SAN Volume Controller nodes until data can be saved to the local hard-disk drive. Only SAN Volume Controller nodes can be plugged into the 2145 UPS-1U or the SAN Volume Controller cluster will malfunction.
8. Press and hold the on/off button (**7** in Figure 17) for approximately five seconds. You might need a pointed device, such as a screwdriver, to press the on/off button. The front panel indicators cycle through a startup sequence while the 2145 UPS-1U conducts a self-test.

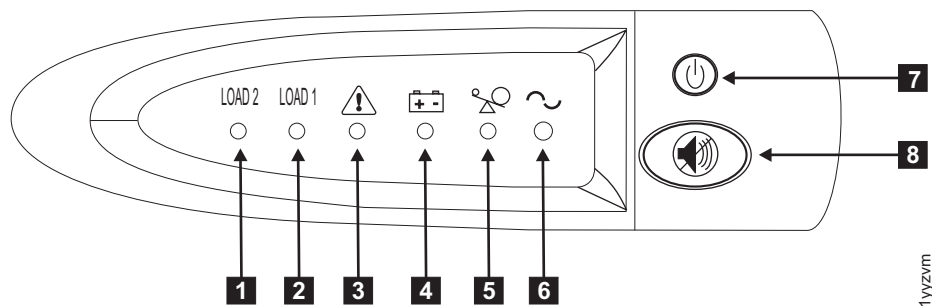


Figure 17. 2145 UPS-1U front-panel assembly

When the self-test is complete, the power-on indicator **6** and the load indicators (**1** and **2**) illuminate to indicate that power is being supplied by the 2145 UPS-1U. The 2145 UPS-1U is now in normal mode, and is charging its battery. If the battery indicator **4** is on and the alarm is sounding, the voltage range setting might not be correct. When a SAN Volume Controller is connected to the 2145 UPS-1U, the SAN Volume Controller automatically adjusts the voltage range setting. Take no action for this alarm condition unless it persists for more than five minutes after a SAN Volume Controller has been connected to this 2145 UPS-1U and turned on.

9. Repeat all of these steps to install additional 2145 UPS-1U units.

Installing the 2145 UPS-1U cable-retention bracket

The 2145 UPS-1U cable-retention bracket ensures that the power cable connection between the 2145 UPS-1U and the SAN Volume Controller node is stable.

Install the bracket after you install the power and signal cable assembly that was supplied with the node to connect the 2145 UPS-1U and the node.

You can attach the bracket by performing the following steps:

1. Install the power cable into the rightmost power outlet on the rear of the 2145 UPS-1U.
2. Remove the bracket and the two screws (shown in Figure 18) from the packaging.

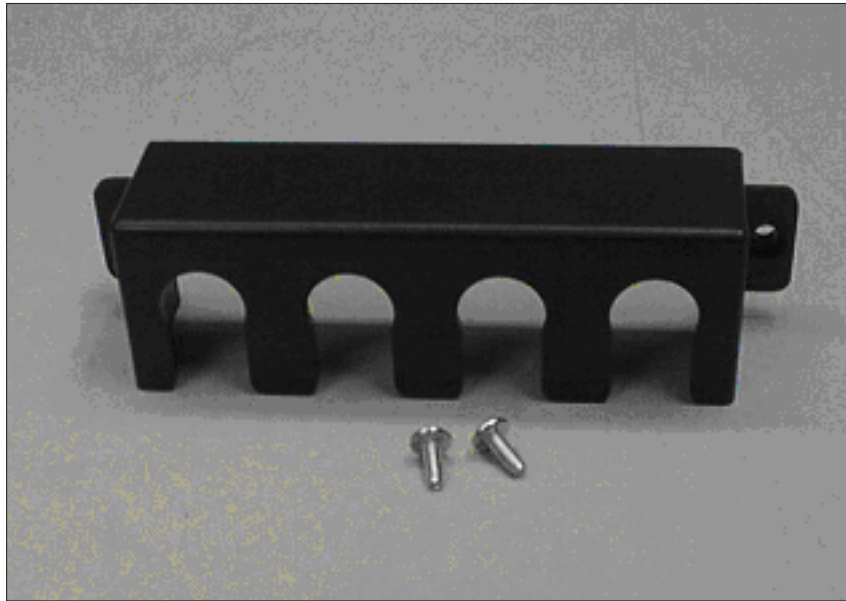


Figure 18. 2145 UPS-1U power cable-retention bracket hardware

3. Place the bracket over the power outlets on the right rear of the 2145 UPS-1U, so that the two screw holes line up.
4. Position the bracket with the power cable protruding through the rightmost slot in the bracket.
5. Secure the bracket in place with one screw on each side, as shown in Figure 19.

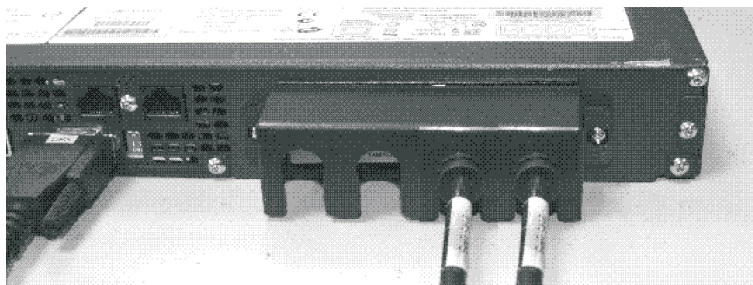


Figure 19. 2145 UPS-1U power cable-retention bracket

Installing the SAN Volume Controller 2145-CF8

There are several steps that you must perform to install the SAN Volume Controller 2145-CF8 node.

Installing the SAN Volume Controller 2145-CF8 consists of the following tasks:

1. Installing the support rails in the rack cabinet.
2. Installing the SAN Volume Controller 2145-CF8 node.
3. Installing the cable-management arm in the rack cabinet.
4. Connecting the SAN Volume Controller 2145-CF8 node to the uninterruptible power supply.

Installation guidelines

Before you install the support rails for the SAN Volume Controller 2145-CF8 node, review the following guidelines:

- Do not install a unit in a rack where the internal-rack ambient temperature exceeds the lowest manufacturer-recommended ambient temperature for all of your rack-mounted devices.
- Do not install a unit in a rack where the air flow is compromised. Ensure that air flow is not blocked or reduced on any side, front, or back of a unit used for air flow through the unit.
- Ensure that the equipment is connected properly to the supply circuit so that the circuits do not overload and compromise the supply wiring or overcurrent protection.
- Plan the device installation by starting at the bottom of the rack cabinet to ensure that the rack is stable and cannot tip over.
- Install the heaviest device in the bottom of the rack cabinet.
- Do not install a SAN Volume Controller node directly above the pull-out monitor and keyboard of the IBM System Storage Productivity Center (SSPC) server. The front panel of the node protrudes beyond the front of the rack and overlaps part of the monitor, which prevents you from opening it.

Installing the support rails for the SAN Volume Controller 2145-CF8

You must install the support rails that hold the SAN Volume Controller 2145-CF8 node.

Figure 20 on page 24 shows the items that you need to install the SAN Volume Controller 2145-CF8 node in a rack.

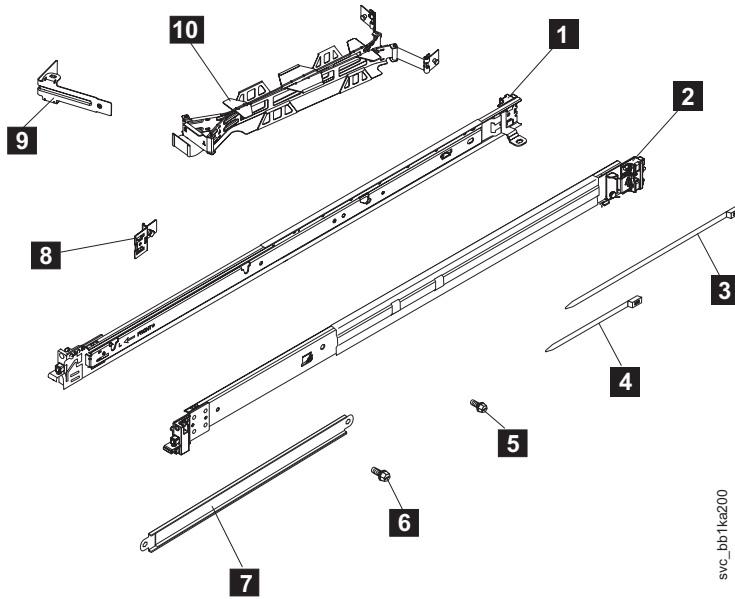


Figure 20. SAN Volume Controller 2145-CF8 cable-management arm, support rails, and associated parts

Table 4. Cable-management arm and associated parts descriptions and quantities

Reference	Description	Quantity
1	Slide rail (left)	1
2	Slide rail (right)	1
3	Large cable tie	1
4	Cable ties	5
5	M6 screws	4
6	10-32 screws	2
7	Cable-management support arm	1
8	Cable-management arm mounting bracket	1
9	Cable-management arm stop bracket	1
10	Cable-management arm assembly	1

Notes:

- With some types of racks, you might find it helpful to remove the rack doors and side panels to provide easier access during installation.
- The slide rails are marked (RIGHT / FRONT and LEFT / FRONT) for proper placement on the rack flanges.
- The front and back of each rail has a spring-loaded rail-locking carrier, which can be locked in the open position and then released when the rail is in the rack.

When you are ready to install the support rails, use the customer's hardware-location chart and the Electronic Industries Alliance (EIA) positions on the rack to determine where in the rack that the SAN Volume Controller node is to be installed.

Perform the following steps to install the support rails:

1. Verify that you have all the items that you need for installing the support rails and that you have identified the front of each rail, as shown in Figure 20 on page 24.

- 1** Slide rail (left)
- 2** Slide rail (right)
- 5** M6 screws
- 8** Front of rails

Note: You might find it helpful, with some types of racks, to remove the rack doors and side panels to provide easier access during installation.

2. Prepare each slide rail for installation.
 - a. Select one of the slide rails that is marked with either an R (right) or an L (left), as shown in Figure 21.
 - b. Push up on the front moveable tab **1**.
 - c. To slide out the front side rail, pull out the front latch **2**.
 - d. Slide out the front rail.
 - e. If a thumbscrew is installed in the slide rail **3**, remove it.

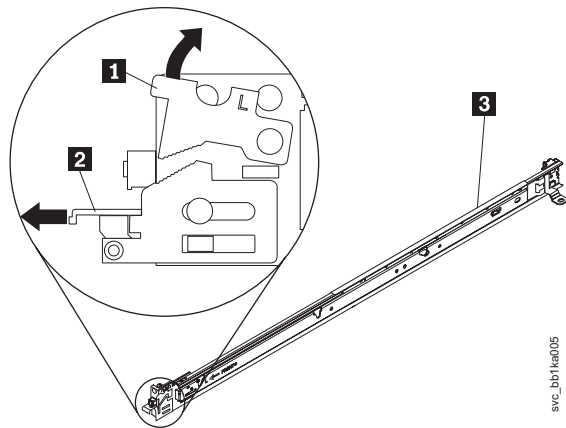


Figure 21. Installing the SAN Volume Controller 2145-CF8 slide rails on the rack

3. Install the rear of the rail into the rear of the rack.
 - a. From the front of the rack, line up the three pins on the rear of the slide rail with the three holes in the selected U on the rear of the rack.
 - b. Push the rails so that the pins go into the holes, as shown by **1** in Figure 22 on page 26.
 - c. Drop the slide rail down **2** until it latches into place.

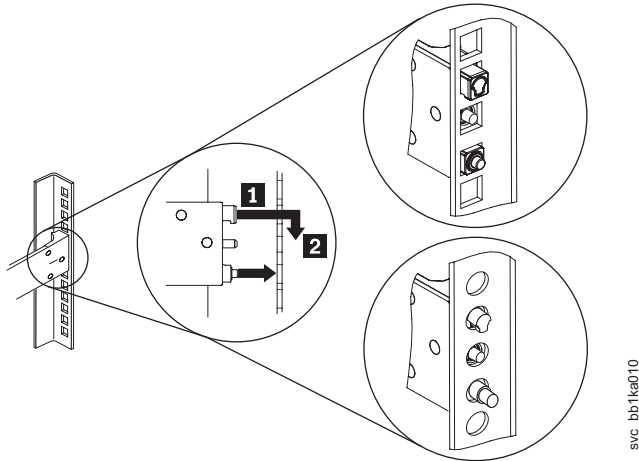


Figure 22. Installing the rear of a SAN Volume Controller 2145-CF8 slide rail in the rear of the rack

4. Install the front of the rail into the front of the rack.
 - a. Pull the slide rail forward.
 - b. Insert the two pins on the front of the rail, as shown by **1** in Figure 23, into the two lower holes in the U on the front of the rack.
 - c. Drop the rail into place until it clicks.
 - d. Push the front latch **2** in all the way.

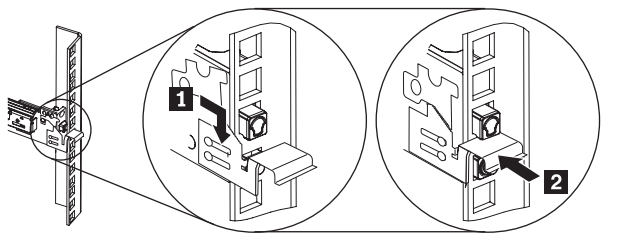


Figure 23. Installing the front of a SAN Volume Controller 2145-CF8 slide rail in the front of the rack

5. Install the other rail in the same manner.

Installing the cable-management arm for the SAN Volume Controller 2145-CF8

The SAN Volume Controller 2145-CF8 uses a cable-management arm to route and secure power and communication cables.

The parts involved in installing the cable-management arm are shown in Figure 20 on page 24.

Install the cable-management arm to pivot from the left side of the SAN Volume Controller 2145-CF8 rack, when viewed from the rear of the rack.

To attach the arm, perform the following steps:

1. Pull the node slightly out of the rack to provide space for working on the cable-management arm at the rear of the rack.

2. At the rear of the rack, connect one end of the support arm, as shown by **1** in Figure 24, to the same slide rail to which you plan to attach the cable-management arm so that you can swing the other end of the support arm **2** toward the rack.

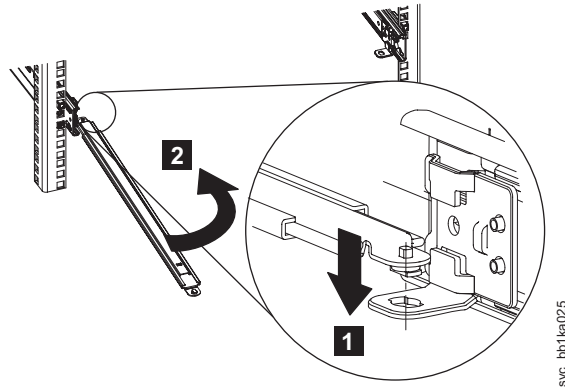


Figure 24. Rack rear: Attaching the SAN Volume Controller 2145-CF8 cable-management support arm

3. Install the L-shaped cable-management stop bracket, as shown by **1** in Figure 25 on the unattached end of the support arm. Turn the bracket **2** to secure it to the support arm.

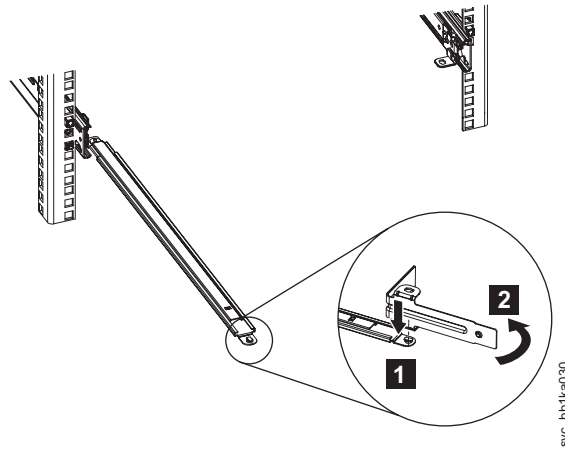


Figure 25. Rack rear: Installing the SAN Volume Controller 2145-CF8 cable-management stop bracket

4. To attach the other side of the support arm to the backside of the slide rail, pull the pin out, as shown by **1** in Figure 26 on page 28, and then slide the bracket **2** into the slide rail.

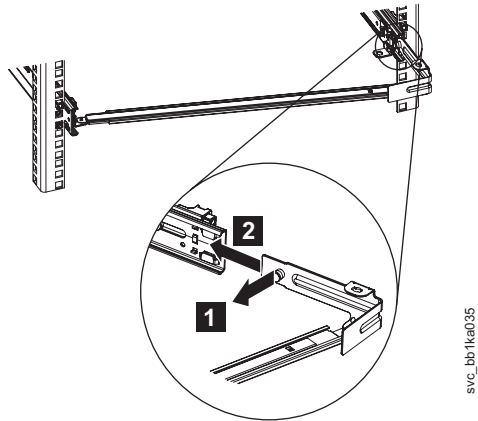


Figure 26. Attaching the free end of the SAN Volume Controller 2145-CF8 support arm

5. To install the cable-management arm assembly, you must place the cable-management arm mounting bracket into the same slide rail onto which you installed the cable-management support arm.

The cable-management support arm is not shown in Figure 27.

Push the blue latch on the cable-support-arm stop bracket **1** to slide the mounting bracket **2** into the left slide rail. Push the bracket into the slide rail until the bracket snaps into place.

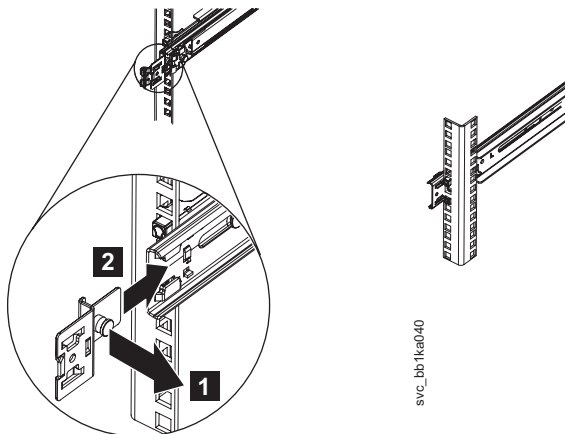


Figure 27. Rack rear: Installing the SAN Volume Controller 2145-CF8 cable-management arm mounting bracket

6. Place the cable-management arm on the support arm.
 - a. Pull out the cable-management arm pin, as shown by **1** in Figure 28 on page 29, then slide the cable-management arm tab **2** into the slot on the inside of the slide rail.
 - b. Push the tab until it snaps into place.
 - c. Pull out the other cable-management arm pin **3**, then slide the cable-management arm tab into the slot **4** on the outside of the slide rail.
 - d. Push the tab until it snaps into place.

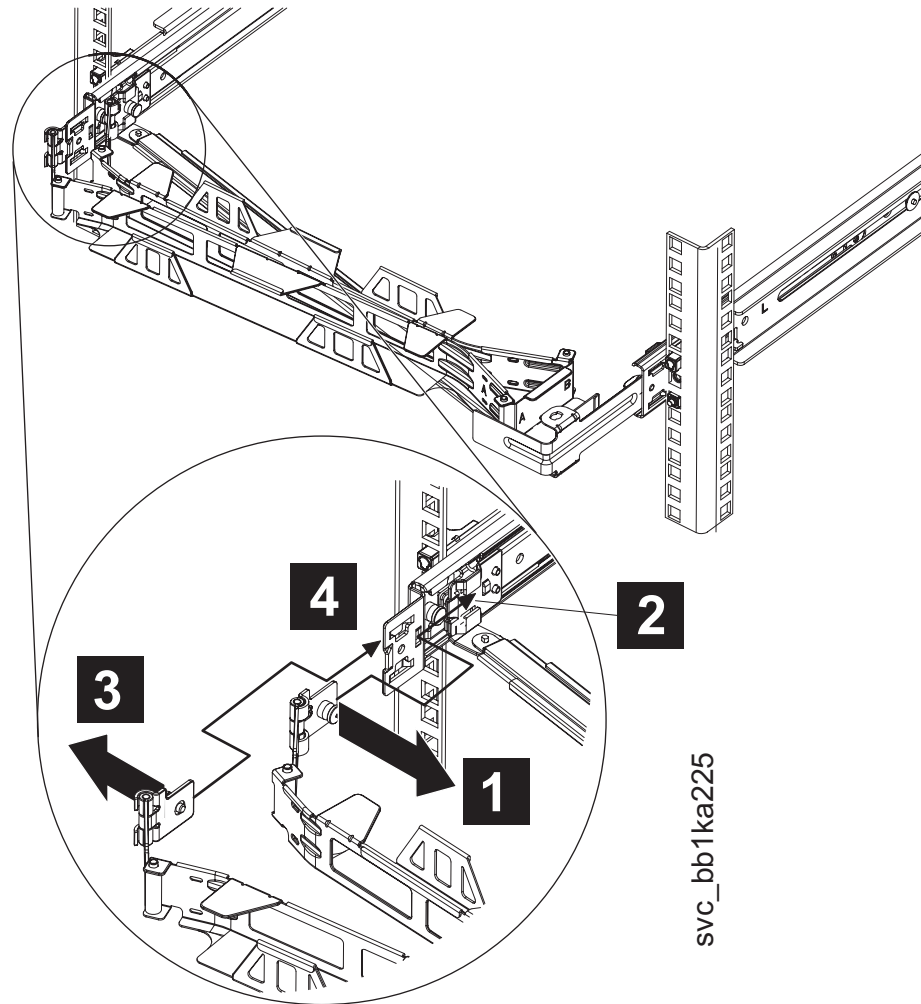


Figure 28. SAN Volume Controller 2145-CF8 cable-management arm on the support arm

7. Slide the SAN Volume Controller 2145-CF8 into the rack until it latches into place.
8. Attach the power-and-serial-cable bundle, the fibre-channel cables, and the one or two Ethernet cables to the rear of the node.

- a. Route the data cables and power cords on the cable-management arm, as shown by **1** in Figure 29 on page 30.

If you attach the arm properly and route the cables properly, the arm swings into the rack as you pull the node forward in the rack, opening to allow the cables to follow the node toward the front of the rack. You can perform some service procedures without disconnecting the fibre-channel cables and the Ethernet cables. You can also perform some service procedures without turning off the node or disconnecting the power cables.

- b. Secure the cables with cable ties or hook-and-loop fasteners.

Note: Leave some slack in all of the cables to avoid tension in the cables as the cable-management arm moves.

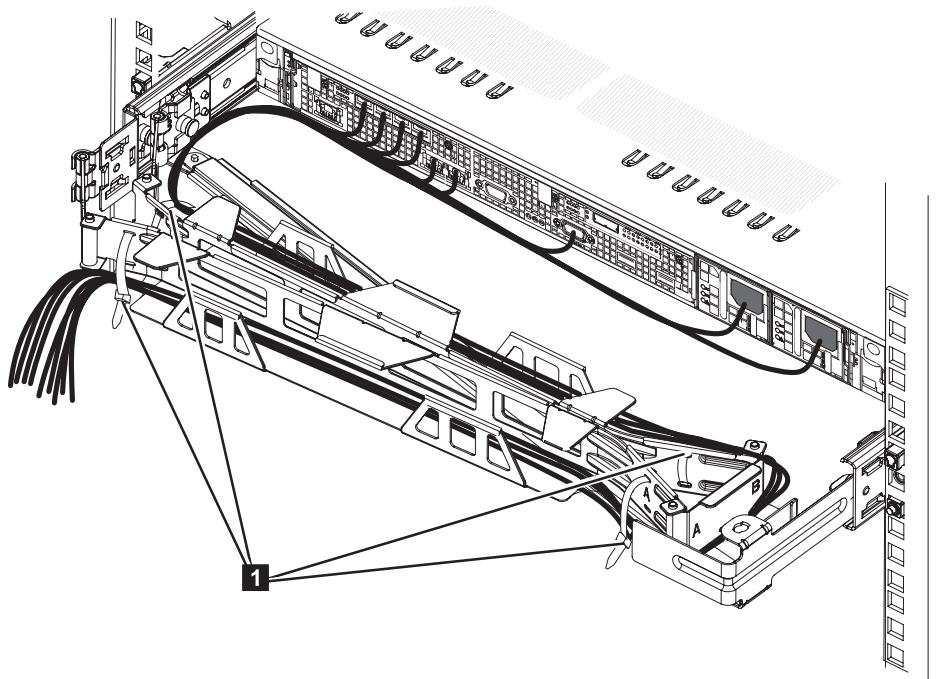


Figure 29. SAN Volume Controller 2145-CF8 cables in the cable-management arm

Installing the SAN Volume Controller 2145-CF8 in a rack

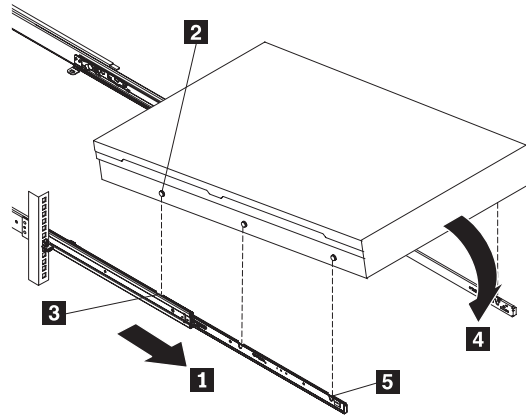
After installing the support rails, you can install the SAN Volume Controller 2145-CF8 node in the rack.

CAUTION:

To avoid any hazard from the rack tipping forward when devices are installed, observe all safety precautions for the rack into which you are installing the device.

To install the SAN Volume Controller 2145-CF8 node in the rack, perform the following steps:

1. Place the SAN Volume Controller 2145-CF8 in the rails on the rack.
 - a. Pull the slide rails forward until they click twice into place.
See **1** in Figure 30 on page 31.
 - b. Lift the node and carefully tilt it into position over the slide rails. Line up the rear nail heads **2** on the node line up with the rear slots **3** on the slide rails.
 - c. Slide the node down until the rear nail heads slip into the two rear slots.
 - d. Lower the front of the node **4** until the other nail heads slip into the other slots on the slide rails.
 - e. Verify that the front latch **5** slides over the nail heads.

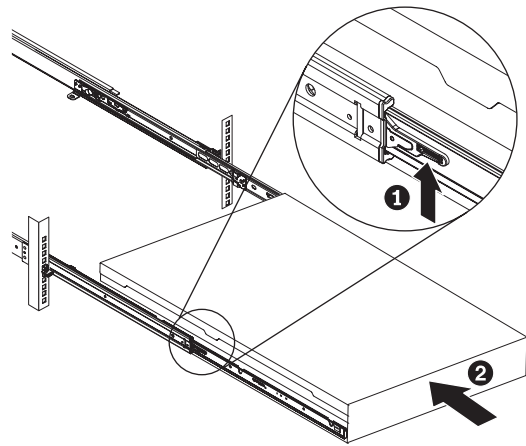


svc_bb1ka020

Figure 30. Installing the SAN Volume Controller 2145-CF8 node in the slide rails of the rack

2. Lift the locking levers on the slide rails and push the node **2** all the way into the rack until it clicks into place.

See **1** in Figure 31.



svc_bb1ka055

Figure 31. Raising the SAN Volume Controller 2145-CF8 locking levers of the slide rails of the rack

Connecting the SAN Volume Controller 2145-CF8 to the 2145 UPS-1U

Connect the SAN Volume Controller to the 2145 UPS-1U to protect your data in the event of an unexpected loss of external power.

Notes:

- To make the SAN Volume Controller cluster more resilient to power failure, the 2145 UPS-1U units can be connected to the redundant ac-power switch. If a redundant ac-power switch is not used, you can connect the two uninterruptible power-supply units that are powering an I/O group to different, independent electrical power sources. If a single power source fails, the SAN Volume Controller cluster can then continue to operate with reduced performance.
- When connecting to the 2145 UPS-1U, use only the power cable assembly, part number 31P1294, that was supplied with the node. Power

cable assemblies that were supplied with previous SAN Volume Controller models do not work with the 2145-CF8 model because there are two power cables in the bundle for the 2145-CF8 model. The correct part is differentiated by the blue tape that binds the cables together.

Before you begin this task, see the completed customer's cable-connection table, which is described in the *IBM System Storage SAN Volume Controller Planning Guide* and can be downloaded from www.ibm.com/storage/support/2145.

Use the information in this table to identify the 2145 UPS-1U unit to which this node is to be connected.

Perform the following steps to connect the SAN Volume Controller to the 2145 UPS-1U:

1. At the back of the SAN Volume Controller 2145-CF8 node, plug the power cables of the combined power and serial cable assembly into the power connector **2**, as shown in Figure 32.

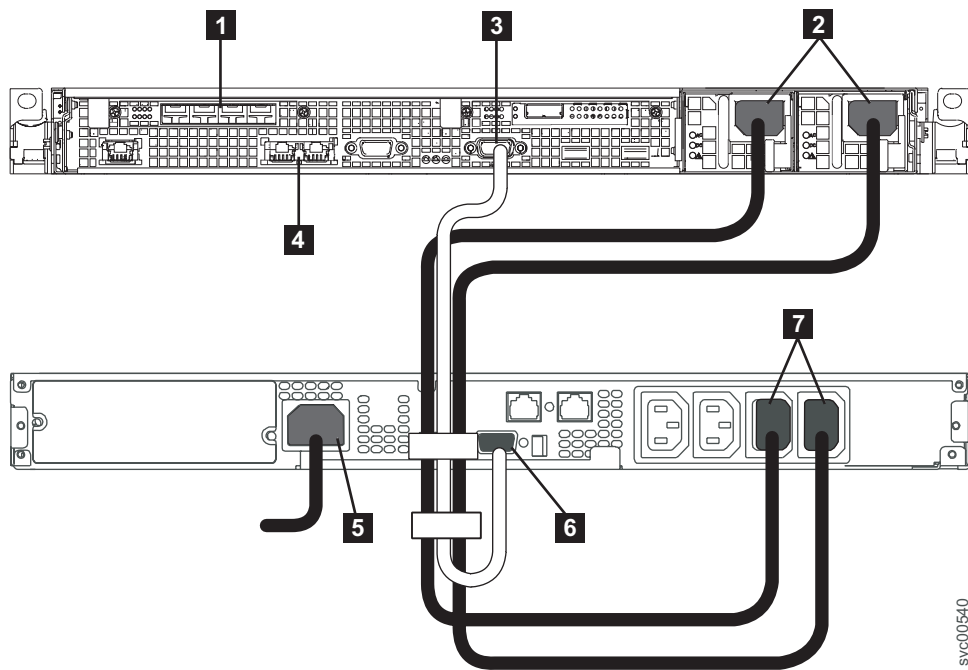


Figure 32. Connecting the SAN Volume Controller 2145-CF8 power cable to the 2145 UPS-1U

- 1** Fibre-channel ports
- 2** Power connector
- 3** Serial connector
- 4** Ethernet ports
- 5** Main-power connector
- 6** Communication port
- 7** Load-segment 2 receptacle

2. Place the other end of the power cables into the load-segment 2 receptacles **7** on the 2145 UPS-1U.

DANGER

You have already switched on the 2145 UPS-1U. The output sockets of the 2145 UPS-1U are live.

3. Plug the signal cable into the serial connector **3** located on the SAN Volume Controller 2145-CF8 node.
4. Place the other end of the signal cable into the communication port **6** on the 2145 UPS-1U.

The SAN Volume Controller 2145-CF8 power is now connected to the 2145 UPS-1U.

Installing the SAN Volume Controller 2145-CF8 cable-retention brackets

Two power cords run from the uninterruptible power-supply to each of the two SAN Volume Controller 2145-CF8 power supplies. To anchor the power cords, install the two cable-retention brackets on the back of the SAN Volume Controller 2145-CF8.

The cable-retention brackets install without tools, as shown in Figure 33.

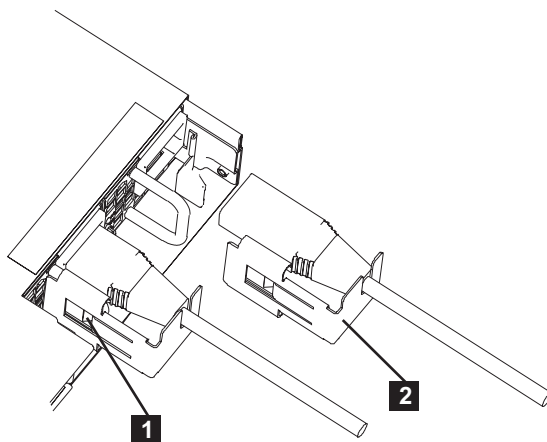


Figure 33. SAN Volume Controller 2145-CF8 cable-retention brackets

To attach the brackets, perform the following steps:

1. Loosely install the cable-retention bracket on a power cord by slipping the power cord into the notch on the rear of the bracket.
2. Align the cable-retention bracket on the power cord so that the bracket is to the left side of the cord, as shown by **2** in Figure 33.
3. Push both the bracket and the cable toward the SAN Volume Controller 2145-CF8 power supply (**2**), carefully aligning the power cord with the power connector on the power supply and the bracket with the power-supply handle.
4. Carefully push the bracket against the power-supply handle to force the spring clip (**1**) over the leading edge of the handle.
5. Push the cable and the bracket into place, as shown in Figure 33.

Connecting the SAN Volume Controller 2145-CF8 to the SAN and to the Ethernet network

Before you connect the SAN Volume Controller 2145-CF8 to the SAN, you must connect the Ethernet and fibre-channel cables.

Before you begin this task, see the customer's cable-connection table to find out where to connect the Ethernet and fibre-channel cables.

One or two Ethernet cables can be connected to the SAN Volume Controller 2145-CF8. The customer's cable connection table indicates the number of cables to connect. If only one cable is connected, the cable must be connected to Ethernet port 1.

To connect the SAN Volume Controller 2145-CF8 to the SAN and to the Ethernet network, perform the following steps:

1. Connect the Ethernet cables to Ethernet port 1, as shown by **8** in Figure 34 and Ethernet port 2 (**7**).
2. Connect the other end of the Ethernet cable to the proper connector on the Ethernet hub or switch.

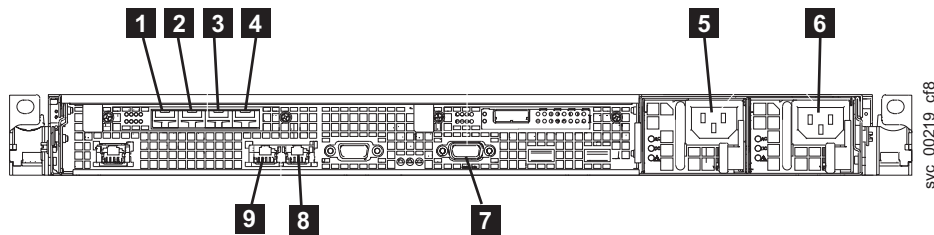


Figure 34. Connectors on the rear of the SAN Volume Controller 2145-CF8

- 1** Fibre-channel port 1
- 2** Fibre-channel port 2
- 3** Fibre-channel port 3
- 4** Fibre-channel port 4
- 5** Power supply connectors
- 6** Serial port
- 7** Ethernet port 2
- 8** Ethernet port 1

Attention: When routing the fibre-channel cables, do not tighten the cable straps or bend the cables to a radius smaller than 76 mm (3 in.).

3. Connect the fibre-channel cables to the fibre-channel ports as required by the user's configuration.
4. Connect the other ends of the fibre-channel cables to the proper connectors of the fibre-channel switches.

Verifying the SAN Volume Controller 2145-CF8 installation

You must verify the SAN Volume Controller installation after the installation has completed.

This task shows you how to verify the installation after you install the SAN Volume Controller in the rack and connect it to the uninterruptible power supply, the storage area network (SAN), and the Ethernet.

Note: If at any point the SAN Volume Controller does not operate as described, see MAP 5000 in the *IBM System Storage SAN Volume Controller Troubleshooting Guide*, unless a different maintenance analysis procedure (MAP) is specified.

Perform the following steps to verify installation:

1. Press the SAN Volume Controller power-control button. Because the button is recessed, you might need a pointed device, such as a screwdriver, to press the power-control button. Verify that the green power LED is lit. If the LED is not illuminated, see MAP 5000: Start in the *IBM System Storage SAN Volume Controller Troubleshooting Guide* to repair the problem.

Note: You do not need to install any software. The node boots automatically. The SAN Volume Controller 2145-CF8 runs an extended series of power-on self tests. The node might appear to be idle for up to five minutes after powering on.

Figure 35 illustrates the controls and indicators on the front panel that verify the installation.

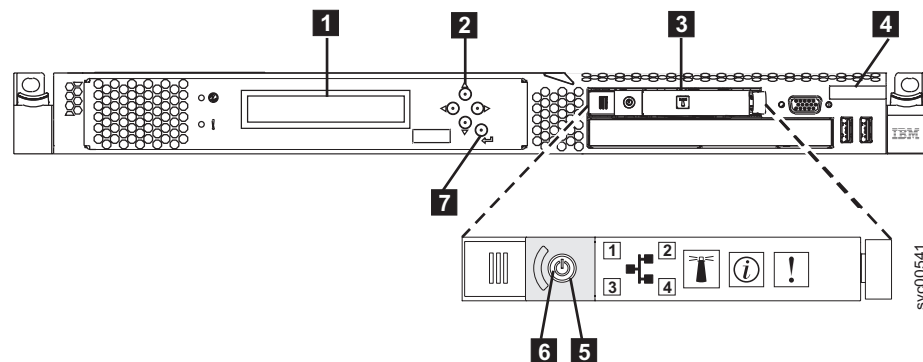


Figure 35. SAN Volume Controller 2145-CF8 front panel

- 1 Front-panel display
- 2 Navigation buttons
- 3 Operator-information panel
- 4 Node identification label
- 5 Power-control button
- 6 Power LED
- 7 Select button

Verify that the node is booting without error. If it boots without error, either the Charging, Recovering, or the Cluster: message is displayed in the first line of the front-panel display.

2. Press and hold the select button for five seconds. The check light comes on and a display test is performed. Check that all display cells light and that a bar scrolls horizontally and vertically across the display. When the display test is complete, the check light goes off and a button test is started.
3. Press the up, down, left, and right buttons to verify that they are working. Figure 36 on page 36 shows four examples of what the front panel might

display when you press the buttons. After you finish testing the buttons, press and hold the select button for five seconds to exit the test.

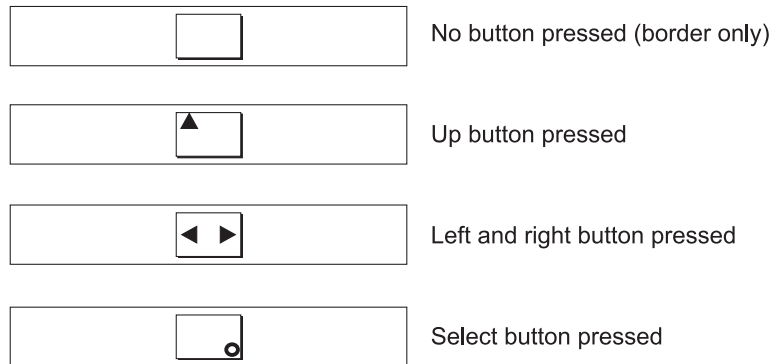


Figure 36. Front-panel display when push buttons are pressed

4. If the Charging or Recovering message is displayed on the front-panel display, press the select button to switch to the menu. The menu continues to be displayed while you press the buttons on the front panel. If you do not press any buttons within 60 seconds, the menu changes to display the charging progress. You can switch the front-panel display to the menu at any time by pressing the select button again.
5. Press and release the up button or down button until the Node: option is displayed on the first line of the front-panel display.
6. Verify that the node number that is displayed on the second line of the front-panel display is the same as the node number that is printed on the front panel of the node. Figure 37 shows how the node number is displayed on the front panel. If the node number is not the same, contact the IBM Support Center.



Figure 37. Node number

7. Press and release the up button or down button until the Ethernet option is shown on the front-panel display. The second line of the front-panel display in Figure 38 shows the message No Cluster.



Figure 38. Ethernet: No Cluster

8. Press and release the right button to view the values given on the second line of the front panel display for the Ethernet Port-1 option, the Speed-1 option, the MAC Address-1 option, the Ethernet Port-2 option, the Speed-2 option, and the MAC Address-2 option.
Make sure that an Ethernet cable is attached to Ethernet port 1, which is the port to the left when viewed from the rear. Ethernet port 2 is optional.

If the second line of each option for either Ethernet Port-1 or Ethernet Port-2 does not show Link OnLine when there is an Ethernet cable attached, perform each of the following actions and check the display to see if the action fixed the problem. If an action corrects the problem, you do not need to perform the remaining actions.

- Verify that an Ethernet cable is plugged into the node port.
- Verify that the other end of the Ethernet cable is plugged into the Ethernet switch port and that the switch is operating correctly at a supported speed.
- Replace the Ethernet cable with a new cable.
- Replace the node system board.

When the required ports are online, check that the speed and duplex operation are as expected. If either the speed or the duplex operation is not what you expect, check the configuration of the Ethernet switch and check for damage to the Ethernet cables.

Retain the MAC addresses as reference information.

9. Press and release the up button or down button until the FC Port-1 option shows in the display.
10. Check whether the second line of the front-panel display shows the message Active. If Active is not shown on the second line, go to MAP 5600: Fibre channel in the *IBM System Storage SAN Volume Controller Troubleshooting Guide* to repair the fault.
11. Press and hold the down button.
12. Press and release the select button.
13. Release the down button. The operational speed of the fibre-channel link is displayed. Use the cable connection table that is provided by the customer to verify that the fibre-channel link is operating at the expected speed. If the operational speed does not match the expected speed, go to MAP 5600: Fibre channel in the *IBM System Storage SAN Volume Controller Troubleshooting Guide* to repair the fault.
14. Press the select button to return to the fibre-channel status display.
15. Press the right button to display each port in turn and ensure that the port is active and the speed is correct.
16. If you want to select a language other than English, perform the following steps:
 - a. Press the up button or down button until the Select Language? option is displayed.
 - b. Press the select button.
 - c. Press the left button or right button until the required language is displayed.
 - d. Press the select button.

If the battery needed to be charged, the Charging or Recovering message is replaced by the Cluster: message when the battery is fully charged. The progress bar no longer displays. The installation of the SAN Volume Controller hardware is now complete. No software installation is required. Continue with the instructions in the *IBM System Storage SAN Volume Controller Software Installation and Configuration Guide* to create, if necessary, a new SAN Volume Controller cluster and to add the nodes into a SAN Volume Controller cluster.

Appendix A. Accessibility

Accessibility features help a user who has a physical disability, such as restricted mobility or limited vision, to use software products successfully.

Features

These are the major accessibility features in the SAN Volume Controller Console:

- You can use screen-reader software and a digital speech synthesizer to hear what is displayed on the screen. The following screen reader has been tested: Window-Eyes v6.1.
- You can operate all features using the keyboard instead of the mouse.
- When setting or changing an IP address on the SAN Volume Controller front panel, you can disable the fast increase and decrease address scrolling speed function of the up and down buttons to two seconds. This feature is documented in the topic that discusses initiating cluster creation from the front panel, which is located in the IBM System Storage SAN Volume Controller Information Center and the *IBM System Storage SAN Volume Controller Software Installation and Configuration Guide*.

Navigating by keyboard

You can use keys or key combinations to perform operations and initiate many menu actions that can also be done through mouse actions. You can navigate the SAN Volume Controller Console and help system from the keyboard by using the following key combinations:

- To traverse to the next link, button, or topic, press Tab inside a frame (page).
- To expand or collapse a tree node, press → or ←, respectively.
- To move to the next topic node, press V or Tab.
- To move to the previous topic node, press ^ or Shift+Tab.
- To scroll all the way up or down, press Home or End, respectively.
- To go back, press Alt+←.
- To go forward, press Alt+→.
- To go to the next frame, press Ctrl+Tab.
- To move to the previous frame, press Shift+Ctrl+Tab.
- To print the current page or active frame, press Ctrl+P.
- To select, press Enter.

Accessing the publications

You can find the HTML version of the IBM System Storage SAN Volume Controller information at the following Web site:

<http://publib.boulder.ibm.com/infocenter/svcic/v3r1m0/index.jsp>

You can access this information using screen-reader software and a digital speech synthesizer to hear what is displayed on the screen. JAWS version 10 has been tested.

Appendix B. SAN Volume Controller physical installation planning

Before the IBM service representative can set up your SAN Volume Controller environment, you must verify that the prerequisite conditions for the SAN Volume Controller, the uninterruptible power supply, and optional redundant ac-power switch installation are met.

SAN Volume Controller 2145-CF8 environment requirements

Before the SAN Volume Controller 2145-CF8 is installed, the physical environment must meet certain requirements. This includes verifying that adequate space is available and that requirements for power and environmental conditions are met.

Input-voltage requirements

Ensure that your environment meets the following voltage requirements.

Voltage	Frequency
200 V to 240 V single phase ac	50 Hz or 60 Hz

Attention:

- If the uninterruptible power supply is cascaded from another uninterruptible power supply, the source uninterruptible power supply must have at least three times the capacity per phase and the total harmonic distortion must be less than 5%.
- The uninterruptible power supply also must have input voltage capture that has a slew rate of no more than 3 Hz per second.

Maximum power requirements for each node

Ensure that your environment meets the following power requirements.

The maximum power that is required depends on the node type and the optional features that are installed.

Table 5. Maximum power consumption

Components	Power requirements
SAN Volume Controller 2145-CF8 and 2145 UPS-1U	200 W

For each redundant ac-power switch, add 20 W to the power requirements.

For the high-speed SAS adapter with from one to four solid-state drives, add 50 W to the power requirements.

Circuit breaker requirements

The 2145 UPS-1U has an integrated circuit breaker and does not require additional protection.

Environment requirements without redundant ac power

Ensure that your environment falls within the following ranges if you are not using redundant ac power.

Table 6. Physical specifications

Environment	Temperature	Altitude	Relative humidity	Maximum wet bulb temperature
Operating in lower altitudes	10°C to 35°C (50°F to 95°F)	0 m to 914 m (0 ft to 3000 ft)	8% to 80% noncondensing	23°C (73°F)
Operating in higher altitudes	10°C to 32°C (50°F to 90°F)	914 m to 2133 m (3000 ft to 7000 ft)	8% to 80% noncondensing	23°C (73°F)
Turned off	10°C to 43°C (50°F to 109°F)	0 m to 2133 m (0 ft to 7000 ft)	8% to 80% noncondensing	27°C (81°F)
Storing	1°C to 60°C (34°F to 140°F)	0 m to 2133 m (0 ft to 7000 ft)	5% to 80% noncondensing	29°C (84°F)
Shipping	-20°C to 60°C (-4°F to 140°F)	0 m to 10668 m (0 ft to 34991 ft)	5% to 100% condensing, but no precipitation	29°C (84°F)

Environment requirements with redundant ac power

Ensure that your environment falls within the following ranges if you are using redundant ac power.

Table 7. Environment requirements with redundant ac power

Environment	Temperature	Altitude	Relative humidity	Maximum wet bulb temperature
Operating in lower altitudes	15°C to 32°C (59°F to 90°F)	0 m to 914 m (0 ft to 3000 ft)	20% to 80% noncondensing	23°C (73°F)
Operating in higher altitudes	15°C to 32°C (59°F to 90°F)	914 m to 2133 m (3000 ft to 7000 ft)	20% to 80% noncondensing	23°C (73°F)
Turned off	10°C to 43°C (50°F to 109°F)	0 m to 2133 m (0 ft to 7000 ft)	20% to 80% noncondensing	27°C (81°F)
Storing	1°C to 60°C (34°F to 140°F)	0 m to 2133 m (0 ft to 7000 ft)	5% to 80% noncondensing	29°C (84°F)
Shipping	-20°C to 60°C (-4°F to 140°F)	0 m to 10668 m (0 ft to 34991 ft)	5% to 100% condensing, but no precipitation	29°C (84°F)

Preparing your environment

The following tables list the physical characteristics of the SAN Volume Controller 2145-CF8 node.

Dimensions and weight

Ensure that space is available in a rack that is capable of supporting the node.

Table 8. Dimensions and weight

Height	Width	Depth	Maximum weight
43 mm (1.75 in.)	440 mm (17.32 in.)	559 mm (22 in.)	10.1 kg (22 lb)

Additional space requirements

Ensure that space is also available in the rack for the following additional space requirements around the node.

Table 9. Additional space requirements

Location	Additional space requirements	Reason
Left side and right side	Minimum: 50 mm (2 in.)	Cooling air flow
Back	Minimum: 100 mm (4 in.)	Cable exit

Maximum heat output of each SAN Volume Controller 2145-CF8 node

The node dissipates the following maximum heat output.

Table 10. Maximum heat output of each SAN Volume Controller 2145-CF8 node

Model	Heat output per node
SAN Volume Controller 2145-CF8	160 W (546 Btu per hour)
SAN Volume Controller 2145-CF8 plus solid-state drives (SSDs)	210 W (717 Btu per hour)

Maximum heat output of each 2145 UPS-1U

The 2145 UPS-1U dissipates the following maximum heat output.

Table 11. Maximum heat output of each 2145 UPS-1U

Model	Heat output per node
Maximum heat output of 2145 UPS-1U during normal operation	10 W (34 Btu per hour)
Maximum heat output of 2145 UPS-1U during battery operation	100 W (341 Btu per hour)

Redundant ac-power environment requirements

Ensure that your physical site meets the installation requirements for the redundant ac-power switch.

The redundant ac-power switch requires two independent power sources that are provided through two rack-mounted power distribution units (PDUs). The PDUs must have IEC320-C13 outlets.

The redundant ac-power switch comes with two IEC 320-C19 to C14 power cables to connect to rack PDUs. There are no country-specific cables for the redundant ac-power switch.

The power cable between the redundant ac-power switch and the 2145 UPS-1U is rated at 10 A.

Redundant ac-power switch specifications

The following tables list the physical characteristics of the redundant ac-power switch.

Dimensions and weight

Ensure that space is available in a rack that is capable of supporting the redundant ac-power switch.

Height	Width	Depth	Maximum weight
43 mm (1.69 in.)	192 mm (7.56 in.)	240 mm	2.6 kg (5.72 lb)

Additional space requirements

Ensure that space is also available in the rack for the side mounting plates on either side of the redundant ac-power switch.

Location	Width	Reason
Left side	124 mm (4.89 in.)	Side mounting plate
Right side	124 mm (4.89 in.)	Side mounting plate

Heat output (maximum)

The maximum heat output that is dissipated inside the redundant ac-power switch is approximately 20 watts (70 Btu per hour).

Uninterruptible power-supply environment requirements

An uninterruptible power-supply environment requires that certain specifications for the physical site of the SAN Volume Controller must be met.

2145 UPS-1U environment

All SAN Volume Controller models are supported with the 2145 UPS-1U.

2145 UPS-1U specifications

The following tables describe the physical characteristics of the 2145 UPS-1U.

2145 UPS-1U dimensions and weight

Ensure that space is available in a rack that is capable of supporting the 2145 UPS-1U.

Height	Width	Depth	Maximum weight
44 mm (1.73 in.)	439 mm (17.3 in.)	579 mm (22.8 in.)	16 kg (35.3 lb)
Note: The 2145 UPS-1U package, which includes support rails, weighs 18.8 kg (41.4 lb).			

Heat output

The 2145 UPS-1U unit produces the following approximate heat output.

Model	Heat output during normal operation	Heat output during battery operation
2145 UPS-1U	10 W (34 Btu per hour)	150 W (512 Btu per hour)

Power cables for the 2145 UPS-1U

If you do not connect the 2145 UPS-1U to a rack power-distribution unit (PDU) or redundant ac-power switch, you must follow your country or region's power requirements to choose the appropriate power cable for the 2145 UPS-1U.

The 2145 UPS-1U is supplied with an IEC 320-C13 to C14 jumper to connect it to a rack PDU. You can also use this cable to connect the 2145 UPS-1U to the redundant ac-power switch.

The following table lists the power cable options for your country or region.

Country or region	Length	Connection type (attached plug designed for 200 - 240 V ac input)	Part number
United States of America (Chicago), Canada, Mexico	1.8 m (6 ft)	NEMA L6-15P	39M5115
Bahamas, Barbados, Bermuda, Bolivia, Brazil, Canada, Cayman Islands, Colombia, Costa Rica, Dominican Republic, Ecuador, El Salvador, Guatemala, Guyana, Haiti, Honduras, Jamaica, Japan, Korea (South), Liberia, Mexico, Netherlands Antilles, Nicaragua, Panama, Peru, Philippines, Saudi Arabia, Suriname, Taiwan, Trinidad (West Indies), United States of America, Venezuela	2.8 m (9 ft)	NEMA L6-15P	39M5116

Country or region	Length	Connection type (attached plug designed for 200 - 240 V ac input)	Part number
Afghanistan, Algeria, Andorra, Angola, Austria, Belgium, Benin, Bulgaria, Burkina Faso, Burundi, Cameroon, Central African Republic, Chad, Czech Republic, Egypt, Finland, France, French Guiana, Germany, Greece, Guinea, Hungary, Iceland, Indonesia, Iran, Ivory Coast, Jordan, Lebanon, Luxembourg, Macao S.A.R. of China, Malagasy, Mali, Martinique, Mauritania, Mauritius, Monaco, Morocco, Mozambique, Netherlands, New Caledonia, Niger, Norway, Poland, Portugal, Romania, Senegal, Slovakia, Spain, Sudan, Sweden, Syria, Togo, Tunisia, Turkey, former USSR, Vietnam, former Yugoslavia, Zaire, Zimbabwe	2.8 m (9 ft)	CEE 7-VII	39M5123
Antigua, Bahrain, Brunei, Channel Islands, Hong Kong S.A.R. of China, Cyprus, Dubai, Fiji, Ghana, India, Iraq, Ireland, Kenya, Kuwait, Malawi, Malaysia, Malta, Nepal, Nigeria, Polynesia, Qatar, Sierra Leone, Singapore, Tanzania, Uganda, United Kingdom, Yemen, Zambia	2.8 m (9 ft)	BS 1363/A	39M5151
Argentina	2.8 m (9 ft)	IRAM 2073	39M5068
Argentina, Australia, New Zealand, Papua New Guinea, Paraguay, Uruguay, Western Samoa	2.8 m (9 ft)	AS/NZS 3112/2000	39M5102
Bangladesh, Burma, Pakistan, South Africa, Sri Lanka	2.8 m (9 ft)	SABS 164	39M5144
Chile, Ethiopia, Italy, Libya, Somalia	2.8 m (9 ft)	CEI 23-16	39M5165
People's Republic of China	2.8 m (9 ft)	GB 2099.1	39M5206
Denmark	2.8 m (9 ft)	DK2-5a	39M5130
Israel	2.8 m (9 ft)	SI 32	39M5172
Liechtenstein, Switzerland	2.8 m (9 ft)	IEC 60884 Stnd. Sheet 416534?2 (CH Type 12)	39M5158
Thailand	2.8 m (9 ft)	NEMA 6-15P	39M5095

Appendix C. SAN Volume Controller hardware controls, indicators, and connectors

Ensure that you understand the purpose for the controls, indicators, and connectors on each SAN Volume Controller node and related hardware components, such as uninterruptible power-supply units and, optionally, redundant ac-power switches.

SAN Volume Controller 2145-CF8 controls and indicators

The controls and indicators are used for power and navigation and to indicate information such as system activity, service and configuration options, service controller failures, and node identification.

Figure 39 shows the controls and indicators on the front panel of the SAN Volume Controller 2145-CF8.

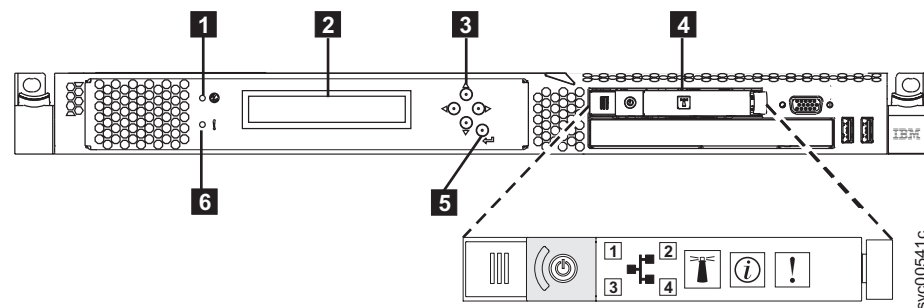


Figure 39. SAN Volume Controller 2145-CF8 front panel

- 1** Node-status LED
- 2** Front-panel display
- 3** Navigation buttons
- 4** Operator-information panel
- 5** Select button
- 6** Error LED

Node status LED

System activity is indicated through the green LED.

The node status LED provides the following system activity indicators:

- Off** The node is not operating as a member of a cluster.
- On** The node is operating as a member of a cluster.

Flashing

The node is dumping cache and state data to the local disk in anticipation of a system reboot from a pending power-off action or other controlled restart sequence.

Front-panel display

The front-panel display shows service, configuration, and navigation information.

You can select the language that is displayed on the front panel. The display can show both alphanumeric information and graphical information (progress bars).

The front-panel display shows configuration and service information about the SAN Volume Controller node and the SAN Volume Controller cluster, including the following items:

- Boot progress indicator
- Boot failed
- Charging
- Hardware boot
- Node rescue request
- Power failure
- Powering off
- Recovering
- Restarting
- Shutting down
- Error codes
- Validate WWNN?

Navigation buttons

You can use the navigation buttons to move through menus.

There are four navigational buttons that you can use to move throughout a menu: up, down, right, and left.

Each button corresponds to the direction that you can move in a menu. For example, to move right in a menu, press the navigation button that is located on the right side. If you want to move down in a menu, press the navigation button that is located on the bottom.

Note: The select button is used in tandem with the navigation buttons.

SAN Volume Controller 2145-CF8 operator-information panel

The operator-information panel contains buttons and indicators such as the power-control button, and LEDs that indicate information such as system-board errors, hard-drive activity, and power status.

Figure 40 on page 49 shows the operator-information panel for the SAN Volume Controller 2145-CF8.

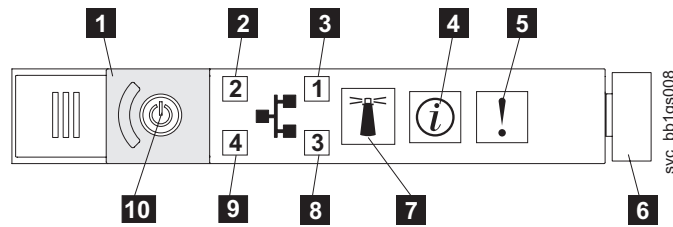


Figure 40. SAN Volume Controller 2145-CF8 operator-information panel

- 1** Power-button cover
- 2** Ethernet 2 activity LED
- 3** Ethernet 1 activity LED
- 4** System-information LED
- 5** System-error LED
- 6** Release latch
- 7** Locator button and LED
- 8** Ethernet 3 activity LED
- 9** Ethernet 4 activity LED
- 10** Power button and LED

Ethernet-activity LEDs

When Ethernet-activity LED **1** is lit, the node is transmitting or receiving data on Ethernet port 1.

When Ethernet-activity LED **2** is lit, the node is transmitting or receiving data on Ethernet port 2.

System-information LED

When the system-information LED is lit, a noncritical event has occurred.

Check the light path diagnostics panel and the error log. Light path diagnostics are described in more detail in the light path maintenance analysis procedure (MAP).

System-error LED

When it is lit, the system-error LED indicates that a system-board error has occurred.

This amber LED lights up if the SAN Volume Controller hardware detects a fatal error that requires a new field-replaceable unit (FRU).

Note: See MAP 5800: Light path to help you isolate the faulty FRU.

Release latch

The release latch on the SAN Volume Controller 2145-CF8 gives you access to the light-path diagnostics panel, which provides a method for determining the location of a problem.

After pressing the release latch on the operator-information panel, you can slide the light-path diagnostics panel out to view the lit LEDs. The LEDs indicate the type of error that has occurred. See “MAP 5800: Light path” for more detail.

To retract the panel, push it back into the node and snap it into place.

Locator LED

The SAN Volume Controller does not use the locator LED.

Power button

The power button turns main power on or off for the SAN Volume Controller.

To turn on the power, press and release the power button. You must have a pointed device, such as a pen, to press the button.

To turn off the power, press and release the power button. For more information about how to turn off the SAN Volume Controller node, see “MAP 5350: Powering off a SAN Volume Controller node” in the *IBM System Storage SAN Volume Controller Troubleshooting Guide*.

Attention: When the node is operational and you press and immediately release the power button, the SAN Volume Controller indicates on its front panel that it is turning off and writes its control data to its internal disk. This can take up to five minutes. If you press the power button but do not release it, the node turns off immediately without the SAN Volume Controller control data being written to disk. Service actions are then required to make the SAN Volume Controller operational again. Therefore, during a power-off operation, do not press and hold the power button for more than two seconds.

Note: The 2145 UPS-1U does not turn off when the SAN Volume Controller is shut down from the power button.

Power LED

The green power LED indicates the power status of the SAN Volume Controller.

The power LED has the following properties:

Off One or more of the following are true:

- No power is present at the power supply input.
- The power supply has failed.
- The LED has failed.

On The SAN Volume Controller node is turned on.

Flashing

The SAN Volume Controller node is turned off, but is still connected to a power source.

Select button

Use the select button to select an item from a menu.

The select button and navigation buttons help you to navigate and select menu and boot options, and start a service panel test. The select button is located on the front panel of the SAN Volume Controller, near the navigation buttons.

Error LED

Critical faults on the service controller are indicated through the amber error LED.

The error LED has the following two states:

OFF The service controller is functioning correctly.

ON A critical service-controller failure was detected and you must replace the service controller.

The error LED can light temporarily when the node is powered on. If the error LED is on, but the front panel display is completely blank, wait five minutes to allow the LED time to turn off before performing any service action.

SAN Volume Controller 2145-CF8 rear-panel indicators

The rear-panel indicators consist of LEDs that indicate the status of the fibre-channel ports, Ethernet connection and activity, power, electrical current, and system-board errors.

Figure 41 shows the rear-panel indicators on the SAN Volume Controller 2145-CF8 back-panel assembly.

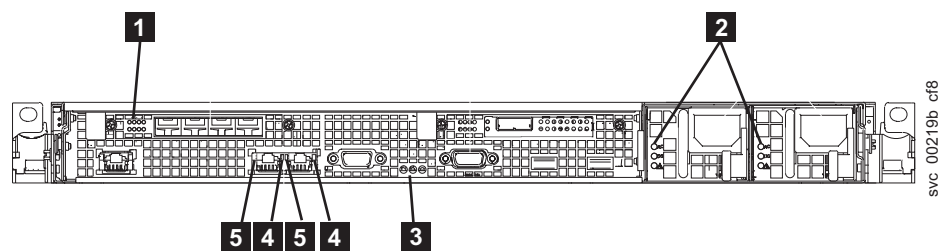


Figure 41. SAN Volume Controller 2145-CF8 rear-panel indicators

- 1** Fibre-channel LEDs
- 2** Ac, dc, and power-supply error LEDs
- 3** Power, location, and system-error LEDs
- 4** Ethernet-link LEDs
- 5** Ethernet-activity LED

Fibre-channel LEDs

The fibre-channel LEDs indicate the status of the fibre-channel ports on the SAN Volume Controller 2145-CF8 node.

The SAN Volume Controller 2145-CF8 uses two fibre-channel LEDs per fibre-channel port, which are arranged one above the other. The LEDs are arranged in the same order as the ports.

The fibre-channel LEDs indicate the following link status:

Top LED (link speed)	Bottom LED (link activity) Blinking indicates I/O activity.	Link status
Off	Off	Inactive
Off	On / Blinking	Active 2 Gbps
Blinking	On / Blinking	Active 4 Gbps
On	On / Blinking	Active 8 Gbps

Note: To accommodate the different Fibre Channel speed ranges, LEDs are effectively OFF=slow, BLINKING=medium and ON=fast. This means that 4Gbps is indicated differently on different models.

Ac, dc, and power-supply error LEDs

The ac, dc, and power-supply error LEDs indicate whether the node is receiving electrical current.

Figure 42 shows the location of the SAN Volume Controller 2145-CF8 ac, dc, and power-supply error LEDs.

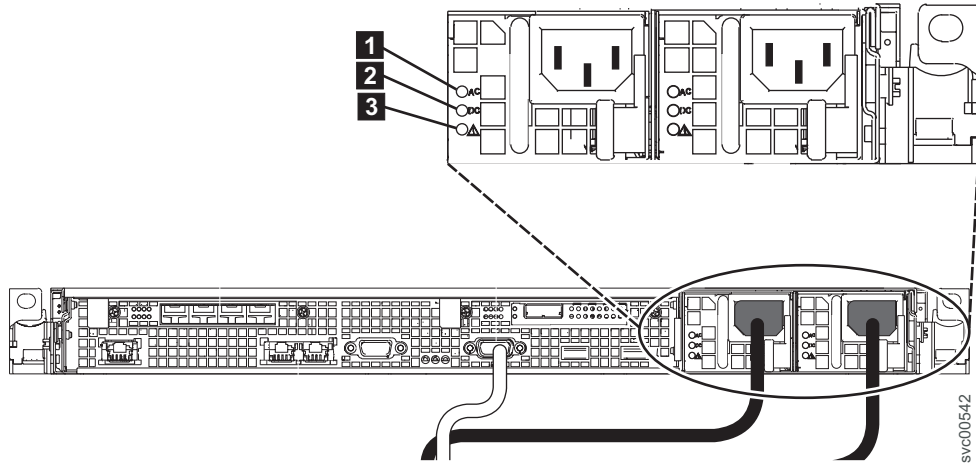


Figure 42. SAN Volume Controller 2145-CF8 ac, dc, and power-error LEDs

Each of the two power supplies has its own set of LEDs.

Ac LED

The upper LED (**1**) on the left side of the power supply, indicates that ac current is present on the node.

Dc LED

The middle LED (**2**) to the left side of the power supply, indicates that dc current is present on the node.

Power-supply error LED

The lower LED (**3**) to the left side of the power supply, indicates a problem with the power supply.

Power, location, and system-error LEDs

The power, location, and system-error LEDs are housed together on the rear of the SAN Volume Controller next to the monitor port.

The following terms describe the power, location, and system-error LEDs:

Power LED

This LED is the leftmost of the three LEDs and indicates the following states:

- Off** One or more of the following are true:
- No power is present at the power supply input.
 - The power supply has failed.
 - The LED has failed.
- On** The SAN Volume Controller is on.

Flashing

The SAN Volume Controller is turned off but is still connected to a power source.

Location LED

The SAN Volume Controller does not use this LED, which is the middle of the three LEDs.

System-error LED

This LED is the rightmost of the three LEDs. The LED indicates that a system board error has occurred. Light path diagnostics provide more information about the error.

Ethernet-link LED

The Ethernet-link LED indicates that there is an active connection on the Ethernet port.

An Ethernet-link LED is located beside each Ethernet port.

Ethernet-activity LED

An Ethernet-activity LED beside each Ethernet port indicates that the SAN Volume Controller 2145-CF8 is communicating on the Ethernet network that is connected to the Ethernet port.

SAN Volume Controller 2145-CF8 connectors

External connectors that the SAN Volume Controller 2145-CF8 uses include four fibre-channel ports, a serial port, two Ethernet ports, and two power connectors.

Figure 43 shows the external connectors on the SAN Volume Controller 2145-CF8 back panel assembly.

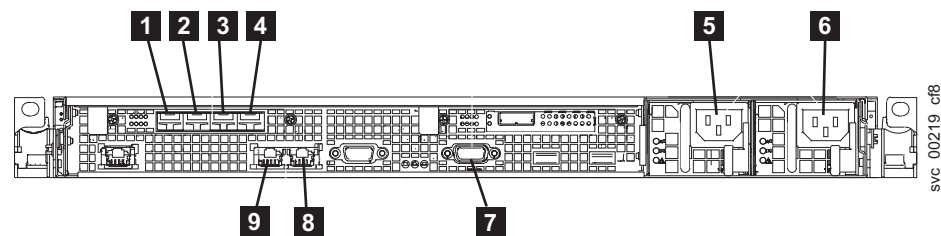


Figure 43. Connectors on the rear of the SAN Volume Controller 2145-CF8

- 1** Fibre-channel port 1
- 2** Fibre-channel port 2
- 3** Fibre-channel port 3
- 4** Fibre-channel port 4
- 5** Power-cord connector for power supply 1
- 6** Power-cord connector for power supply 2
- 7** Serial connection for UPS communication cable
- 8** Ethernet port 2
- 9** Ethernet port 1

Figure 44 on page 54 shows the type of connector that is located on each power-supply assembly. Use these connectors to connect the SAN Volume Controller 2145-CF8 to the two power cables from the uninterruptible power

supply.

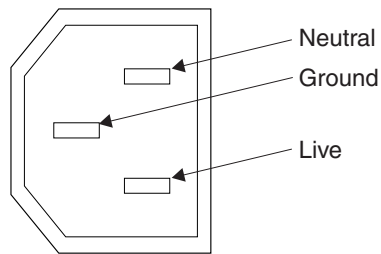


Figure 44. Power connector

SAN Volume Controller 2145-CF8 ports used during service procedures

The SAN Volume Controller 2145-CF8 contains a number of ports that are only used during service procedures.

Figure 45 shows ports that are used only during service procedures.

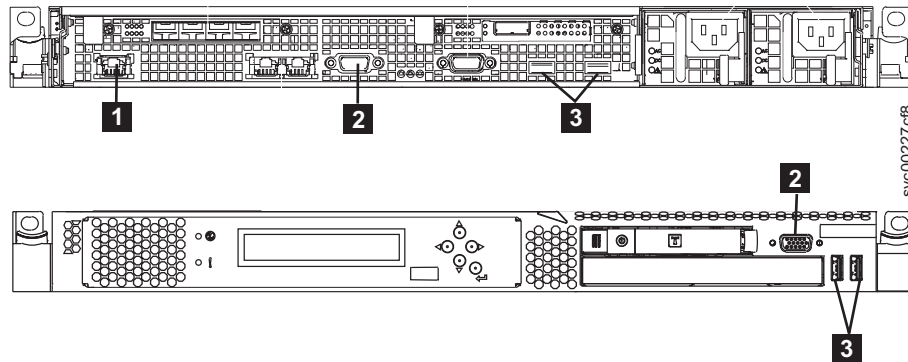


Figure 45. Service ports of the SAN Volume Controller 2145-CF8

- 1** System management port
- 2** Two monitor ports, one on the front and one on the rear
- 3** Four USB ports, two on the front and two on the rear

During normal operation, none of these ports are used. Connect a device to any of these ports only when you are directed to do so by a service procedure or by an IBM service representative.

SAN Volume Controller 2145-CF8 unused ports

The SAN Volume Controller 2145-CF8 can contain one port that is not used.

Figure 46 on page 55 shows the one port that is not used during service procedures or normal use.

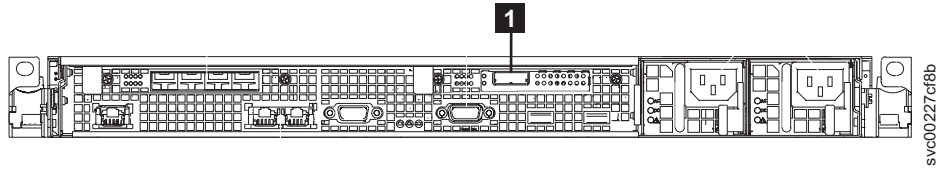


Figure 46. SAN Volume Controller 2145-CF8 port not used

1 Serial-attached SCSI (SAS) port

When present, this port is disabled in software to make the port inactive. The SAS port is present when the optional high-speed SAS adapter is installed with one or more solid-state drives (SSDs).

SAN Volume Controller 2145-CF8 fibre-channel port numbers and worldwide port names

The physical port numbers are 1 - 4, counting from the left side to the right side when you view the rear panel of the SAN Volume Controller 2145-CF8.

Figure 47 provides a view of the rear of the SAN Volume Controller 2145-CF8.

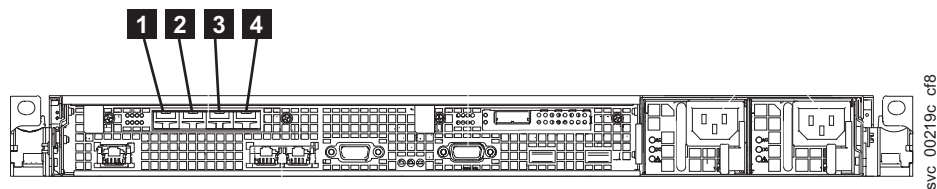


Figure 47. Physical fibre-channel port numbers for the SAN Volume Controller 2145-CF8

2145 UPS-1U controls and indicators

All controls and indicators for the 2145 UPS-1U are located on the front-panel assembly.

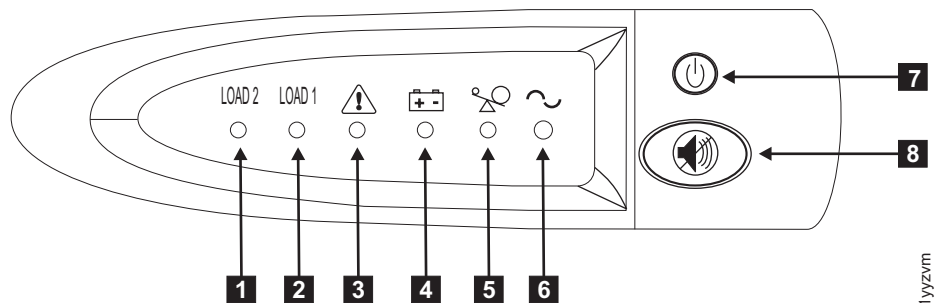


Figure 48. 2145 UPS-1U front-panel assembly

- 1** Load segment 2 indicator
- 2** Load segment 1 indicator
- 3** Alarm or service indicator
- 4** On-battery indicator
- 5** Overload indicator
- 6** Power-on indicator

- 7** On/off button
- 8** Test and alarm reset button

Table 12 identifies which status and error LEDs that display on the 2145 UPS-1U front-panel assembly relate to the specified error conditions. It also lists the uninterruptible power supply alert-buzzer behavior.

Table 12. 2145 UPS-1U error indicators

[1] Load2	[2] Load1	[3] Alarm	[4] Battery	[5] Overload	[6] Power-on	Buzzer	Error condition
Green (see Note 1)					Green	(see Note 3)	No errors; the 2145 UPS-1U was configured by the SAN Volume Controller
Green	Amber (see Note 2)				Green		No errors; the 2145 UPS-1U is not yet configured by the SAN Volume Controller
Green	Either on or off		Amber		Green	Beeps for two seconds and then stops	The ac power is over or under limit. The uninterruptible power supply has switched to battery mode.
		Flashing red	Flashing amber	Flashing red	Flashing green	Three beeps every ten seconds	Battery undervoltage
Green	Either on or off	Flashing red			Flashing green	Solid on	Battery overvoltage
		Flashing red	Flashing amber		Flashing green	Solid on	Output wave is abnormal when the charger is open, on battery mode
		Flashing red	Flashing amber			Solid on	The ac-power output wave is under low limit or above high limit on battery mode
Green	Either on or off		Amber			Beeps for four seconds and then stops	On battery (no ac power)
Green	Either on or off		Flashing amber			Beeps for two seconds and then stops	Low battery (no ac power)
Green	Either on or off			Red	Green	Beeps for one second and then stops	Overload while on line
			Amber	Red		Beeps for one second and then stops	Overload while on battery

Table 12. 2145 UPS-1U error indicators (continued)

[1] Load2	[2] Load1	[3] Alarm	[4] Battery	[5] Overload	[6] Power-on	Buzzer	Error condition
Either on or off	Either on or off	Flashing red			Green	Solid on	Fan failure
Either on or off	Either on or off	Flashing red	Amber			Solid on	Battery test fail
		Flashing red		Red		Solid on	Overload timeout
		Flashing red	Amber		Green	Solid on	Over temperature
		Flashing red	Amber	Red	Green		Output short circuit

Notes:

1. The green Load2 LED ([1]) indicates that power is being supplied to the right pair of ac-power outlets as seen from the rear of the 2145 UPS-1U.
2. The amber Load1 LED ([2]) indicates that power is being supplied to the left pair of ac-power outlets as seen from the rear of the 2145 UPS-1U. These outlets are not used by the SAN Volume Controller.
This LED might be illuminated during power-on sequences, but it is typically extinguished by the SAN Volume Controller node that is attached to the 2145 UPS-1U.
3. A blank cell indicates that the light or buzzer is off.

Load segment 2 indicator

The load segment 2 indicator on the 2145 UPS-1U is lit (green) when power is available to load segment 2.

When the load segment 2 indicator is green, the 2145 UPS-1U is running normally and power is available to this segment.

Load segment 1 indicator

The load segment 1 indicator on the 2145 UPS-1U is not currently used by the SAN Volume Controller.

Note: When the 2145 UPS-1U is configured by the SAN Volume Controller, this load segment is disabled. During normal operation, the load segment 1 indicator is off. A “Do not use” label covers the receptacles.

Alarm indicator

If the alarm on the 2145 UPS-1U is flashing red, maintenance is required.

If the alarm is on, go to the 2145 UPS-1U MAP to resolve the problem.

On-battery indicator

The amber on-battery indicator is on when the 2145 UPS-1U is powered by the battery. This indicates that the main power source has failed.

If the on-battery indicator is on, go to the 2145 UPS-1U MAP to resolve the problem.

Overload indicator

The overload indicator lights up when the capacity of the 2145 UPS-1U is exceeded.

If the overload indicator is on, go to MAP 5250: 2145 UPS-1U repair verification to resolve the problem.

Power-on indicator

The power-on indicator is displayed when the 2145 UPS-1U is functioning.

When the power-on indicator is a steady green, the 2145 UPS-1U is active.

On/off button

The on/off button turns the power on or off for the 2145 UPS-1U.

Turning on the 2145 UPS-1U

After you connect the 2145 UPS-1U to the outlet, it remains in standby mode until you turn it on. Press and hold the on/off button until the power-on indicator is illuminated (approximately five seconds). On some versions of the 2145 UPS-1U, you might need a pointed device, such as a screwdriver, to press the on/off button. A self-test is initiated that takes approximately 10 seconds, during which time the indicators are turned on and off several times. The 2145 UPS-1U then enters normal mode.

Turning off the 2145 UPS-1U

Press and hold the on/off button until the power-on light is extinguished (approximately five seconds). On some versions of the 2145 UPS-1U, you might need a pointed device, such as a screwdriver, to press the on/off button. This places the 2145 UPS-1U in standby mode. You must then unplug the 2145 UPS-1U to turn off the unit.

Attention: Do not turn off the uninterruptible power supply before you shut down the SAN Volume Controller node that it is connected to. Always follow the instructions that are provided in MAP 5350 to perform an orderly shutdown of a SAN Volume Controller node.

Test and alarm reset button

Use the test and alarm reset button to start the self-test.

To start the self-test, press and hold the test and alarm reset button for three seconds. This button also resets the alarm.

Notices

This information was developed for products and services offered in the U.S.A.

IBM may not offer the products, services, or features discussed in this document in other countries. Consult your local IBM representative for information on the products and services currently available in your area. Any reference to an IBM product, program, or service is not intended to state or imply that only that IBM product, program, or service may be used. Any functionally equivalent product, program, or service that does not infringe any IBM intellectual property right may be used instead. However, it is the user's responsibility to evaluate and verify the operation of any non-IBM product, program, or service.

IBM may have patents or pending patent applications covering subject matter described in this document. The furnishing of this document does not give you any license to these patents. You can send license inquiries, in writing, to:

*IBM Director of Licensing
IBM Corporation
North Castle Drive
Armonk, NY 10504-1785
U.S.A.*

For license inquiries regarding double-byte (DBCS) information, contact the IBM Intellectual Property Department in your country or send inquiries, in writing, to:

*Intellectual Property Licensing
Legal and Intellectual Property Law
IBM Japan, Ltd.
3-2-12, Roppongi, Minato-ku, Tokyo 106-8711 Japan*

The following paragraph does not apply to the United Kingdom or any other country where such provisions are inconsistent with local law:

INTERNATIONAL BUSINESS MACHINES CORPORATION PROVIDES THIS PUBLICATIONS "AS IS" WITHOUT WARRANTY OF ANY KIND, EITHER EXPRESS OR IMPLIED, INCLUDING, BUT NOT LIMITED TO, THE IMPLIED WARRANTIES OF NON-INFRINGEMENT, MERCHANTABILITY OR FITNESS FOR A PARTICULAR PURPOSE. Some states do not allow disclaimer of express or implied warranties in certain transactions, therefore, this statement may not apply to you.

This information could include technical inaccuracies or typographical errors. Changes are periodically made to the information herein; these changes will be incorporated in new editions of the publication. IBM may make improvements and/or changes in the product(s) and/or the program(s) described in this publication at any time without notice.

Any references in this information to non-IBM Web sites are provided for convenience only and do not in any manner serve as an endorsement of those Web sites. The materials at those Web sites are not part of the materials for this IBM product and use of those Web sites is at your own risk.

IBM may use or distribute any of the information you supply in any way it believes appropriate without incurring any obligation to you.

Licensees of this program who wish to have information about it for the purpose of enabling: (i) the exchange of information between independently created programs and other programs (including this one) and (ii) the mutual use of the information which has been exchanged, should contact:

*IBM Corporation
Almaden Research
650 Harry Road
Bldg 80, D3-304, Department 277
San Jose, CA 95120-6099
U.S.A.*

Such information may be available, subject to appropriate terms and conditions, including in some cases, payment of a fee.

The licensed program described in this document and all licensed material available for it are provided by IBM under terms of the IBM Customer Agreement, IBM International Program License Agreement or any equivalent agreement between us.

Any performance data contained herein was determined in a controlled environment. Therefore, the results obtained in other operating environments may vary significantly. Some measurements may have been made on development-level systems and there is no guarantee that these measurements will be the same on generally available systems. Furthermore, some measurement may have been estimated through extrapolation. Actual results may vary. Users of this document should verify the applicable data for their specific environment.

Information concerning non-IBM products was obtained from the suppliers of those products, their published announcements or other publicly available sources. IBM has not tested those products and cannot confirm the accuracy of performance, compatibility or any other claims related to non-IBM products. Questions on the capabilities of non-IBM products may be addressed to the suppliers of those products.

All statements regarding IBM's future direction or intent are subject to change or withdrawal without notice, and represent goals and objectives only.

This information is for planning purposes only. The information herein is subject to change before the products described become available.

This information contains examples of data and reports used in daily business operations. To illustrate them as completely as possible, the examples include the names of individuals, companies, brands, and products. All of these names are fictitious and any similarity to the names and addresses used by an actual business enterprise is entirely coincidental.

COPYRIGHT LICENSE:

This information contains sample application programs in source language, which illustrate programming techniques on various operating platforms. You may copy, modify, and distribute these sample programs in any form without payment to IBM, for the purposes of developing, using, marketing or distributing application

programs conforming to the application programming interface for the operating platform for which the sample programs are written. These examples have not been thoroughly tested under all conditions. IBM, therefore, cannot guarantee or imply reliability, serviceability, or function of these programs. The sample programs are provided "AS IS", without warranty of any kind. IBM shall not be liable for any damages arising out of your use of the sample programs.

If you are viewing this information softcopy, the photographs and color illustrations may not appear.

Trademarks

IBM, the IBM logo, and ibm.com are trademarks or registered trademarks of International Business Machines Corp., registered in many jurisdictions worldwide. Other product and service names might be trademarks of IBM or other companies. A current list of IBM trademarks is available on the Web at Copyright and trademark information at www.ibm.com/legal/copytrade.shtml.

Adobe and the Adobe logo are either registered trademarks or trademarks of Adobe Systems Incorporated in the United States, and/or other countries.

Intel, Intel logo, Intel Xeon, and Pentium are trademarks or registered trademarks of Intel Corporation or its subsidiaries in the United States and other countries.

Java and all Java-based trademarks and logos are trademarks of Sun Microsystems, Inc. in the United States, other countries, or both.

Linux is a registered trademark of Linus Torvalds in the United States, other countries, or both.

Microsoft, Windows, Windows NT, and the Windows logo are trademarks of Microsoft Corporation in the United States, other countries, or both.

UNIX is a registered trademark of The Open Group in the United States and other countries.

Other company, product, or service names may be trademarks or service marks of others.

Electronic emission notices

The following electronic emission statements apply to this product. The statements for other products that are intended for use with this product are included in their accompanying documentation.

Federal Communications Commission (FCC) statement

Ensure that you are familiar with the Federal Communications Commission (FCC) statement.

This equipment has been tested and found to comply with the limits for a Class A digital device, pursuant to Part 15 of the FCC Rules. These limits are designed to provide reasonable protection against harmful interference when the equipment is operated in a commercial environment. This equipment generates, uses, and can radiate radio frequency energy and, if not installed and used in accordance with the instruction manual, might cause interference to radio communications.

Operation of this equipment in a residential area is likely to cause harmful interference, in which case the user will be required to correct the interference at his own expense.

Properly shielded and grounded cables and connectors must be used in order to meet FCC emission limits. Neither the provider nor the manufacturer is responsible for any radio or television interference caused by using other than recommended cables and connectors or by unauthorized changes or modifications to this equipment. Unauthorized changes or modifications could void the user's authority to operate the equipment.

This device complies with Part 15 of FCC Rules. Operation is subject to the following two conditions: (1) this device might not cause harmful interference, and (2) this device must accept any interference received, including interference that might cause undesired operation.

Industry Canada compliance statement

This Class A digital apparatus complies with IECS-003.

Avis de conformité à la réglementation d'Industrie Canada

Cet appareil numérique de la classe A est conforme à la norme NMB-003 du Canada.

New Zealand compliance statement

Ensure that you are familiar with the New Zealand compliance statement.

This is a Class A product. In a domestic environment this product might cause radio interference, in which event the user might be required to take adequate measures.

European Union EMC Directive conformance statement

Ensure that you are familiar with the European Union (EU) statement.

This product is in conformity with the protection requirements of EU council directive 2004/108/EC on the approximation of the laws of the Member States relating to electromagnetic compatibility. IBM cannot accept responsibility for any failure to satisfy the protection requirements resulting from a nonrecommended modification of the product, including the fitting of non-IBM option cards.

This product has been tested and found to comply with the limits for Class A Information Technology Equipment according to European Standard EN 55022. The limits for Class A equipment were derived for commercial and industrial environments to provide reasonable protection against interference with licensed communication equipment.

Attention: This is a Class A product. In a domestic environment this product may cause radio interference in which case the user may be required to take adequate measures.

Ensure that you use properly shielded and grounded cables and connectors in order to reduce interference to radio and TV communications and to other electrical or electronic equipment. Such cables and connectors are available from IBM authorized dealers. IBM cannot accept responsibility for any interference caused by using other than recommended cables and connectors.

European community contact:

IBM Technical Regulations
Pascalstr. 100, Stuttgart, Germany 70569
Telephone: 0049 (0)711 785 1176
Fax: 0049 (0)711 785 1283
E-mail: tjahn@de.ibm.com

Germany compliance statement

Deutschsprachiger EU Hinweis:

Hinweis für Geräte der Klasse A EU-Richtlinie zur Elektromagnetischen Verträglichkeit

Dieses Produkt entspricht den Schutzanforderungen der EU-Richtlinie 2004/108/EG zur Angleichung der Rechtsvorschriften über die elektromagnetische Verträglichkeit in den EU-Mitgliedsstaaten und hält die Grenzwerte der EN 55022 Klasse A ein.

Um dieses sicherzustellen, sind die Geräte wie in den Handbüchern beschrieben zu installieren und zu betreiben. Des Weiteren dürfen auch nur von der IBM empfohlene Kabel angeschlossen werden. IBM übernimmt keine Verantwortung für die Einhaltung der Schutzanforderungen, wenn das Produkt ohne Zustimmung der IBM verändert bzw. wenn Erweiterungskomponenten von Fremdherstellern ohne Empfehlung der IBM gesteckt/eingebaut werden.

EN 55022 Klasse A Geräte müssen mit folgendem Warnhinweis versehen werden: "Warnung: Dieses ist eine Einrichtung der Klasse A. Diese Einrichtung kann im Wohnbereich Funk-Störungen verursachen; in diesem Fall kann vom Betreiber verlangt werden, angemessene Maßnahmen zu ergreifen und dafür aufzukommen."

Deutschland: Einhaltung des Gesetzes über die elektromagnetische Verträglichkeit von Geräten

Dieses Produkt entspricht dem "Gesetz über die elektromagnetische Verträglichkeit von Geräten (EMVG)". Dies ist die Umsetzung der EU-Richtlinie 2004/108/EG in der Bundesrepublik Deutschland.

Zulassungsbescheinigung laut dem Deutschen Gesetz über die elektromagnetische Verträglichkeit von Geräten (EMVG) (bzw. der EMC EG Richtlinie 2004/108/EG) für Geräte der Klasse A

Dieses Gerät ist berechtigt, in Übereinstimmung mit dem Deutschen EMVG das EG-Konformitätszeichen - CE - zu führen.

Verantwortlich für die Konformitätserklärung des EMVG ist die IBM Deutschland GmbH, 70548 Stuttgart.

Generelle Informationen:

Das Gerät erfüllt die Schutzanforderungen nach EN 55024 und EN 55022 Klasse A.

Japanese Voluntary Control Council for Interference (VCCI) statement

この装置は、情報処理装置等電波障害自主規制協議会（VCCI）の基準に基づきクラスA情報技術装置です。この装置を家庭環境で使用すると電波妨害を引き起こすことがあります。この場合には使用者が適切な対策を講ずるよう要求されることがあります。

vcci

People's Republic of China Class A Electronic Emission Statement

中华人民共和国“A类”警告声明

声明

此为A级产品，在生活环境中，该产品可能会造成无线电干扰。在这种情况下，可能需要用户对其干扰采取切实可行的措施。

International Electrotechnical Commission (IEC) statement

This product has been designed and built to comply with (IEC) Standard 950.

United Kingdom telecommunications requirements

This apparatus is manufactured to the International Safety Standard EN60950 and as such is approved in the U.K. under approval number NS/G/1234/J/100003 for indirect connection to public telecommunications systems in the United Kingdom.

Korean Class A Electronic Emission Statement

이 기기는 업무용으로 전자파 적합등록을 받은 기기 이오니, 판매자 또는 사용자는 이점을 주의하시기 바라며, 만약 잘못 구입하셨을 때에는 구입한 곳에서 비업무용으로 교환하시기 바랍니다.

Taiwan Class A compliance statement

警告使用者:

這是甲類的資訊產品，在居住的環境中使用時，可能會造成射頻干擾，在這種情況下，使用者會被要求採取某些適當的對策。

European Contact Information

This topic contains the product service contact information for Europe.

European Community contact:
IBM Technical Regulations
Pascalstr. 100, Stuttgart, Germany 70569
Tele: 0049 (0)711 785 1176
Fax: 0049 (0)711 785 1283
e-mail: <mailto:tjahn@de.ibm.com>

Taiwan Contact Information

This topic contains the product service contact information for Taiwan.

IBM Taiwan Product Service Contact Information:
IBM Taiwan Corporation
3F, No 7, Song Ren Rd., Taipei Taiwan
Tel: 0800-016-888

台灣IBM 產品服務聯絡方式：
台灣國際商業機器股份有限公司
台北市松仁路7號3樓
電話：0800-016-888

f2c00790

Index

Numerics

- 2145 UPS-1U
 - alarm 57
 - cable retention bracket 22
 - configuration 4
 - connecting 31
 - controls and indicators on the front panel 55
 - environment 44
 - heat output of node 43
 - installation steps 15
 - installing in the rack 18
 - internal battery connector 18
 - Load segment 1 indicator 57
 - Load segment 2 indicator 57
- nodes
 - heat output 43
 - on-battery indicator 57
 - on/off button 58
 - overload indicator 58
 - power cables 45
 - power-on indicator 58
 - service indicator 57
 - support rails 16
 - test and alarm-reset button 58
- 2145-CF8 node
 - SAN Volume Controller 2145-CF8 41

A

- about this guide xv
- ac and dc LEDs 52
- ac power switch, cabling 2
- accessibility
 - keyboard 39
 - repeat rate of up and down buttons 39
 - shortcut keys 39
- arm
 - cable-management
 - SAN Volume Controller 2145-CF8 26
- attaching mounting plates 12

B

- back panel assembly
 - SAN Volume Controller 2145-CF8
 - connectors 53
 - indicators 51
- battery
 - 2145 UPS-1U, connecting 18
- bracket
 - cable retention
 - 2145 UPS-1U 22
- brackets
 - cable retention
 - SAN Volume Controller 2145-CF8 33
- buttons, navigation 48

C

- cable retention bracket
 - 2145 UPS-1U 22
- cable retention brackets
 - SAN Volume Controller 2145-CF8 33
- cable-management arm
 - replacing
 - SAN Volume Controller 2145-CF8 26
- cables
 - 2145 UPS-1U
 - power requirements 45
 - connecting to the redundant ac-power switch 13
 - redundant ac-power switch 13
 - Canadian electronic emission notice 62
 - charts and tables
 - for planning 7
 - circuit breakers
 - requirements
 - SAN Volume Controller 2145-CF8 41
 - connecting
 - 2145 UPS-1U 31
 - cables, input-power 13
 - redundant ac-power switch
 - cables 13
 - to site power 14
 - connectors
 - SAN Volume Controller 2145-CF8 53
 - console
 - SAN Volume Controller
 - master console 1
 - contact information
 - European 65
 - Taiwan 65
 - controls and indicators on the front panel
 - 2145 UPS-1U
 - alarm 57
 - illustration 55
 - Load segment 1 indicator 57
 - Load segment 2 indicator 57
 - on-battery indicator 57
 - on/off button 58
 - overload indicator 58
 - power-on indicator 58
 - test and alarm-reset button 58
 - front-panel display 48
 - SAN Volume Controller
 - navigation buttons 48
 - node status LED 47
 - select button 50
 - SAN Volume Controller 2145-8F2
 - error LED 50
 - SAN Volume Controller 2145-CF8
 - illustration 47
 - operator-information panel 48

D

- danger notices
 - 2145 UPS-1U 31
 - redundant ac power switch 11
- Deutschsprachiger EU Hinweis 63
- display on front panel
 - overview 48
- disposal
 - product xv

E

- electronic emission notices
 - Avis de conformité à la réglementation d'Industrie Canada 62
 - Deutschsprachiger EU Hinweis 63
 - European Union (EU) 62
 - Federal Communications Commission (FCC) 61
 - French Canadian 62
 - Germany 63
 - Industry Canada 62
 - International Electrotechnical Commission (IEC) 64
 - Japanese Voluntary Control Council for Interference (VCCI) 64
 - Korean 64
 - New Zealand 62
 - People's Republic of China 64
 - Taiwan 64
 - United Kingdom 64
- EMC statement, People's Republic of China 64
- environmental notices ix, xiii
- error LED 50
- Ethernet
 - activity LED 53
 - connecting to 34
 - link LED 53
 - SAN Volume Controller 2145-CF8 34
- Ethernet-activity LEDs 49
- European contact information 65
- European Union (EU), EMC Directive conformance statement 62
- examples
 - redundant ac power switch cabling 2
- external device safety check x

F

- FCC (Federal Communications Commission) electronic emission notice 61
- Federal Communications Commission (FCC) electronic emission notice 61
- fibre-channel
 - LEDs 51
- French Canadian electronic emission notice 62

front panel
2145 UPS-1U 55
display 48

G

Germany electronic emission compliance
statement 63
guidelines, installation 23

H

hardware
components 47
hazards ix, xii

I

IEC (International Electrotechnical
Commission) electronic emission
notice 64
indicators and controls on the front panel
2145 UPS-1U
alarm 57
illustration 55
Load segment 1 indicator 57
Load segment 2 indicator 57
on-battery indicator 57
on/off button 58
overload indicator 58
power-on indicator 58
test and alarm-reset button 58
SAN Volume Controller
navigation buttons 48
node status LED 47
select button 50
SAN Volume Controller 2145-8F2
error LED 50
SAN Volume Controller 2145-CF8
illustration 47
operator-information panel 48
indicators on the rear panel
ac and dc LEDs 52
Ethernet
activity LED 53
link LED 53
fibre-channel LEDs 51
power-supply error LED 52
power, location, and system-error
LEDs 52
SAN Volume Controller 2145-CF8
Ethernet activity LED 53
information
center xvi
information, system
LED 49
inspections, safety
external device check x
internal device check xi
SAN Volume Controller ix
uninterruptible power supply xii
installation
guidelines 23
planning for SAN Volume
Controller 41
preparing for 7

installation (*continued*)
requirements 7
verifying
SAN Volume Controller
2145-CF8 35
installing
2145 UPS-1U 18
cable retention bracket
2145 UPS-1U 22
SAN Volume Controller
2145-CF8 33
hardware 7
overview xxi
redundant ac power switch
attaching the mounting plates 12
steps 11
redundant ac-power switch
connecting the input-power
cables 13
connecting to the site power 14
in the rack 13
labeling the cables 13
testing 15
SAN Volume Controller 2145-CF8
in a rack 30
preparation 7
steps 23
support rails 23
steps
SAN Volume Controller
2145-CF8 23
support rails
2145 UPS-1U 16
SAN Volume Controller
2145-CF8 23
internal device safety check xi
International Electrotechnical Commission
(IEC) electronic emission notice 64

J

Japanese electronic emission notice 64

K

keyboard 39
Korean electronic emission statement 64

L

labeling cables 13
LEDs
ac and dc 52
Ethernet
activity 53
link 53
Ethernet-activity LEDs 49
fibre-channel 51
location 50, 52
power 50, 52
power-supply error 52
rear-panel indicators 51
SAN Volume Controller 2145-CF8 51
system information 49
system-error 49, 52
legal notices 59

Load segment 1 indicator 57
Load segment 2 indicator 57
locator LED 50

M

mounting plates
redundant ac power switch 12

N

navigation
buttons 48
New Zealand electronic emission
statement 62
node status LED 47
non-IBM Alteration form xi
not used
location LED 52

O

on/off button 58
operator information panel
locator LED 50
system-information LED 49
operator-information panel
Ethernet-activity LEDs 49
power button 50
power LED 50
SAN Volume Controller 2145-CF8 48
system-error LED 49
output power
sockets 12
overload indicator 58
overview
hardware installation 7
installing xxi
redundant ac-power switch 2
SAN Volume Controller 1

P

panel
front 48
operator information
SAN Volume Controller
2145-CF8 48
rear
SAN Volume Controller
2145-CF8 51
PDU (power distribution unit) 45
People's Republic of China, electronic
emission statement 64
physical characteristics
2145 UPS-1U 44
redundant ac-power switch 43
SAN Volume Controller 2145-CF8
connectors 53
service ports 54
unused ports 54
planning
charts and tables 7
tables and charts 7

- planning for SAN Volume Controller
 - installation 41
- ports
 - Ethernet 53
 - SAN Volume Controller 2145-CF8 53
- power
 - button 50
 - cables
 - 2145 UPS-1U 45
 - country or region 45
 - distribution unit (PDU) 45
 - requirements
 - SAN Volume Controller 2145-CF8 41
 - site, connecting to 14
- power LED 50
- power-supply error LED 52
- preparing
 - physical configuration 7
 - physical environment 7
 - uninterruptible power supply environment 44

R

- Read Me First pamphlet 18
- rear-panel indicators
 - SAN Volume Controller 2145-CF8 51
- redundant ac power switch
 - cabling 2
 - danger notices 11
 - examples 2
 - installing
 - attaching the mounting plates 12
 - steps 11
- redundant ac-power switch
 - cables 13
 - connecting 13
 - input-power cables 13
 - to the site power 14
 - environment preparation 43
 - installing
 - in the rack 13
 - labeling the cables 13
 - testing 15
 - mounting 13
 - overview 2
 - power cables 45
 - specifications 43
- related information xvi
- replacing
 - cable-management arm
 - SAN Volume Controller 2145-CF8 26
- requirements
 - 2145 UPS-1U 4
 - ac voltage 41, 42
 - circuit breakers 41
 - electrical 41
 - power 41
 - power cables 45
 - redundant ac-power switch 45
 - SAN Volume Controller 2145-CF8 41
- retention bracket
 - SAN Volume Controller 2145-CF8 33

S

- safety notices ix
- SAN (storage area network)
 - connecting to 34
- SAN Volume Controller
 - checking grounding xi
 - features 1
 - hardware 1
 - hardware components 47
 - installation guidelines 23
 - installing
 - overview xxi
 - minimum requirements 1
 - node, components 7
 - overview 1
 - physical configuration 7
 - planning tables and charts 7
 - software
 - overview 1
- SAN Volume Controller 2145-8G4
 - cable retention brackets 33
- SAN Volume Controller 2145-CF8
 - additional space requirements 43
 - air temperature without redundant ac power 42
 - cable-management arm 26
 - circuit breaker requirements 41
 - connecting
 - ethernet 34
 - to a SAN 34
 - to the 2145 UPS-1U 31
 - connectors 53
 - controls and indicators on the front panel 47
 - dimensions and weight 43
 - fibre-channel
 - LEDs 51
 - port number 55
 - heat output of node 43
 - humidity with redundant ac power 42
 - humidity without redundant ac power 42
 - indicators and controls on the front panel 47
 - indicators on the rear panel
 - fibre-channel LEDs 51
 - input-voltage requirements 41
 - installation, verifying 35
 - installing in a rack 30
 - LEDs
 - fibre-channel 51
 - power, location, and system-error 52
 - nodes
 - heat output 43
 - operator-information panel 48
 - release latch 49
 - ports 53
 - power requirements for each node 41
 - power, location, and system-error
 - LEDs 52
 - product characteristics 41
 - rear-panel indicators 51
 - release latch 49
 - requirements 41

- SAN Volume Controller 2145-CF8
 - (continued)
 - service ports 54
 - specifications 41
 - support rails 23
 - temperature with redundant ac power 42
 - unused ports 54
 - weight and dimensions 43
- SAN Volume Controller 2145-CF8 node
 - features 1
- SAN Volume Controller library
 - related publications xvi
- service ports
 - SAN Volume Controller 2145-CF8 54
- shortcut keys 39
- site power
 - redundant ac-power switch
 - connecting 14
 - testing 15
 - uninterruptible power supply
 - testing 15
- sockets
 - output power 12
- software
 - overview 1
- space requirements
 - SAN Volume Controller 2145-CF8 43
- specifications
 - redundant ac-power switch 43
- static-sensitive devices xiii
- status
 - 2145 UPS-1U 4
- support rails
 - 2145 UPS-1U 16
 - SAN Volume Controller 2145-CF8 23
- switches
 - redundant ac power 2
- system-error LED 49

T

- tables and charts, planning 7
- Taiwan
 - contact information 65
 - electronic emission notice 64
- test and alarm-reset button 58
- testing redundant ac-power switch 15
- trademarks 61

U

- uninterruptible power supply
 - 2145 UPS-1U
 - configuration 4
 - controls and indicators 55
 - environment 44
 - overview 4
 - power cables 45
 - checking grounding xi
 - configuration 4
 - overview 4
 - preparing environment 44
 - preparing for installation 7
 - United Kingdom electronic emission notice 64

unused ports
SAN Volume Controller 2145-CF8 54

V

verifying
installation
SAN Volume Controller
2145-CF8 35

W

Web sites xix
who should read this guide xv

Readers' Comments — We'd Like to Hear from You

IBM System Storage SAN Volume Controller
Model 2145-CF8
Hardware Installation Guide
Version 5.1.0

Publication No. GC52-1356-01

We appreciate your comments about this publication. Please comment on specific errors or omissions, accuracy, organization, subject matter, or completeness of this book. The comments you send should pertain to only the information in this manual or product and the way in which the information is presented.

For technical questions and information about products and prices, please contact your IBM branch office, your IBM business partner, or your authorized remarketer.

When you send comments to IBM, you grant IBM a nonexclusive right to use or distribute your comments in any way it believes appropriate without incurring any obligation to you. IBM or any other organizations will only use the personal information that you supply to contact you about the issues that you state on this form.

Comments:

Thank you for your support.

Send your comments to the address on the reverse side of this form.

If you would like a response from IBM, please fill in the following information:

Name

Address

Company or Organization

Phone No.

E-mail address



Fold and Tape

Please do not staple

Fold and Tape



NO POSTAGE
NECESSARY
IF MAILED IN THE
UNITED STATES

BUSINESS REPLY MAIL

FIRST-CLASS MAIL PERMIT NO. 40 ARMONK, NEW YORK

POSTAGE WILL BE PAID BY ADDRESSEE

International Business Machines Corporation
Information Development
Department 61C
9032 South Rita Road
Tucson, Arizona 85775-4401



Fold and Tape

Please do not staple

Fold and Tape



Part Number: 31P1135

Printed in USA

GC52-1356-01



(1P) P/N: 31P1135



Spine information:



IBM System Storage SAN Volume
Controller

Model 2145-CF8
Hardware Installation Guide

Version 5.1.0