

IBM System Storage SAN Volume Controller



Hardware Maintenance Guide

Version 5.1.0

Who should use this guide	3
Last Update	3
Change History	3
Chapter 2. Removing and replacing parts	4
Removing and replacing SAN Volume Controller parts	4
Cable Management Arm Removal and Replacement Procedure	4

Who should use this guide

This errata should be used by anyone using the *IBM System Storage SAN Volume Controller Hardware Maintenance Guide*. You should review the errata contained within this guide and note the details with respect to the copy of the *Hardware Maintenance Guide* supplied with your SAN Volume Controller.

Last Update

This document was last updated: Nov 3, 2009

Change History

The following revisions have been made to this document:

Revision Date	Sections Modified
November 3, 2009	New publication

Table 1: Change History

Chapter 2. Removing and replacing parts

Removing and replacing SAN Volume Controller parts

Cable Management Arm Removal and Replacement Procedure

The text and diagrams below replaces the figures and paragraphs in the

Hardware Maintenance Guide - GC27-2226-02 – Page 30, Fig 14 and Para 9

Hardware Maintenance Guide - GC27-2226-02 – Page 32, Fig 18 and Para 3

Please note that for the removal procedure, Page 30, Fig 14 and Para 9, you should use the reverse of these instructions. The Cable Management Arm could also be installed on the opposite side of the rack.

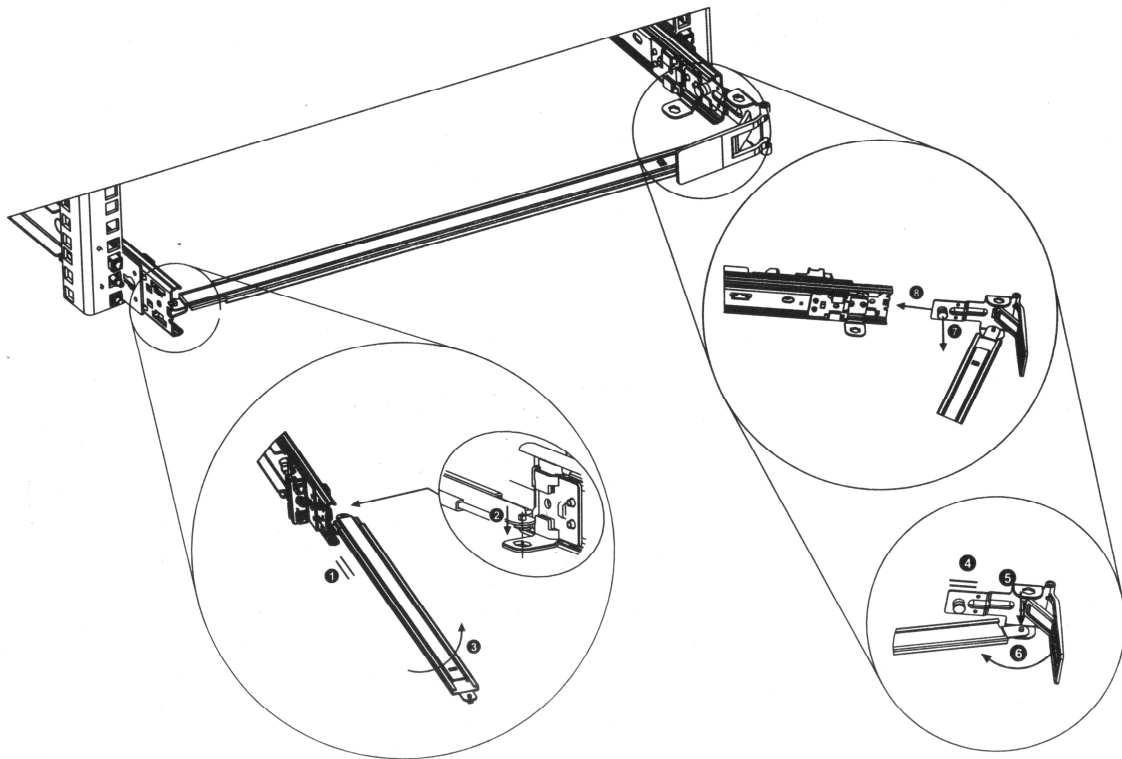
The cable management support arm or tie bar has been modified since the initial shipment in that it now has the 2 locating pins on the same side of the arm.

The procedure for the left side attachment in diagram 1 below is unaltered. The detailed view is looking from inside the rack for clarity of detail.

The right hand side of the arm in diagram 1 requires that the arm is connected in into the top of the lower locating hole, steps 4,5 and 6, the opposite to the previous instruction. Note that the angle between the 2 parts at assembly is important. Then insert the bracket into the rail after pulling the blue pin, steps 7 and 8.

CMA Installation

1 Tie Bar Installation



2 CMA Arm Installation

