

IBM System Storage SAN Volume Controller



Model 2145-CF8 Hardware Installation Guide - Errata

Version 5.1.0
February 4, 2010

Contents

Introduction	5
Who should use this guide	5
Last Update	5
Change History	5
Chapter 2. Installing the SAN Volume Controller 2145-CF8 Hardware	7
Installing the cable-management arm for the SAN Volume Controller 2145-CF8.....	7
Connecting the SAN Volume Controller 2145-CF8 to the SAN and to the Ethernet network.....	9

Introduction

This guide provides errata information that pertains to release 5.1.0 of the the *IBM System Storage SAN Volume Controller Model 2145-CF8 Hardware Installation Guide*.

This guide contains the corrections and additions on a per chapter basis. The chapter numbers in this guide correspond directly with the chapter numbers in the *SAN Volume Controller Model 2145-CF8 Hardware Installation Guide* supplied with your SAN Volume Controller.

Who should use this guide

This errata should be used by anyone using the *IBM System Storage SAN Volume Controller Model 2145-CF8 Hardware Installation Guide*. You should review the errata contained within this guide and note the details with respect to the copy of the *Model 2145-CF8 Hardware Installation Guide* supplied with your SAN Volume Controller.

Last Update

This document was last updated: February 4th, 2010.

Change History

The following revisions have been made to this document:

Revision Date	Sections Modified
November 3, 2009	New publication
February 4, 2010	Corrected “Connecting the SAN Volume Controller 2145-CF8 to the SAN and to the Ethernet network”

Table 1: Change History

Chapter 2. Installing the SAN Volume Controller 2145-CF8 Hardware

Installing the cable-management arm for the SAN Volume Controller 2145-CF8

*The text and diagrams below replaces the figure and paragraph
Page 28, Fig 26 and Para 4*

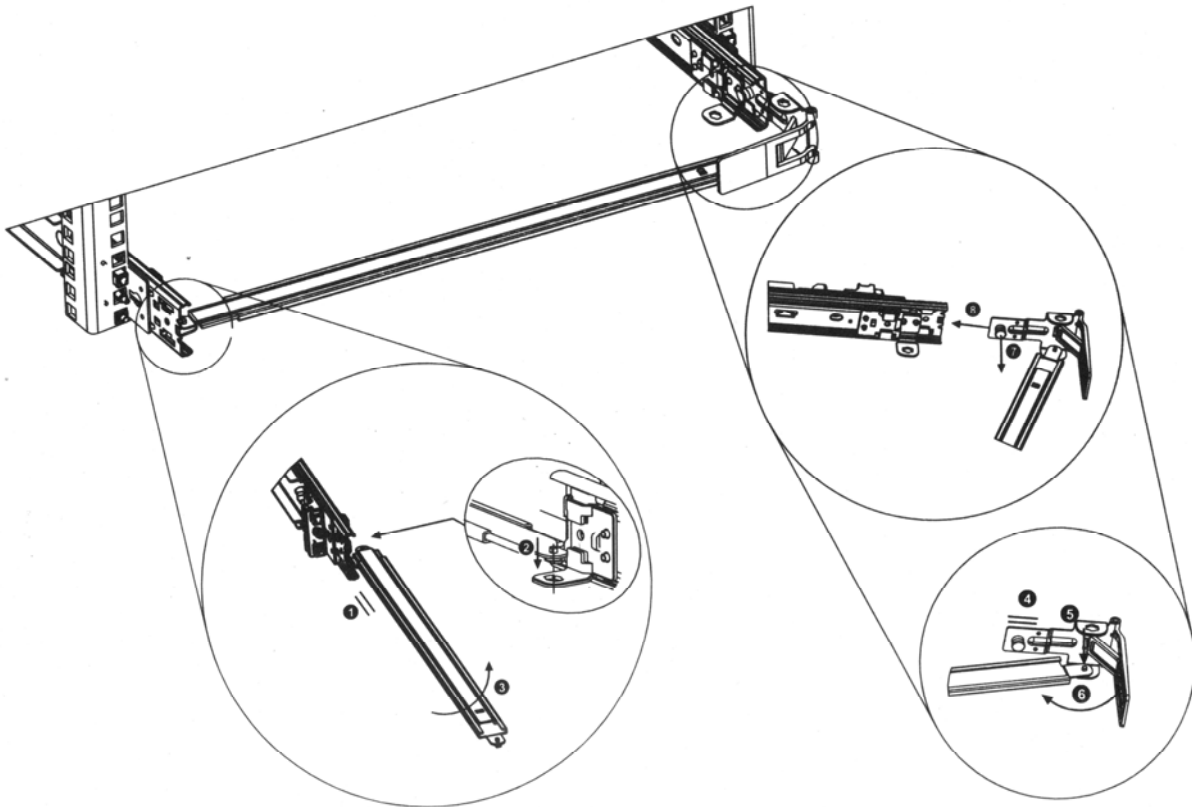
The cable management support arm or tie bar has been modified since the initial shipment in that it now has the two locating pins on the same side of the arm.

The procedure for the left side attachment in diagram 1 below is unaltered. The detailed view is looking from inside the rack for clarity of detail.

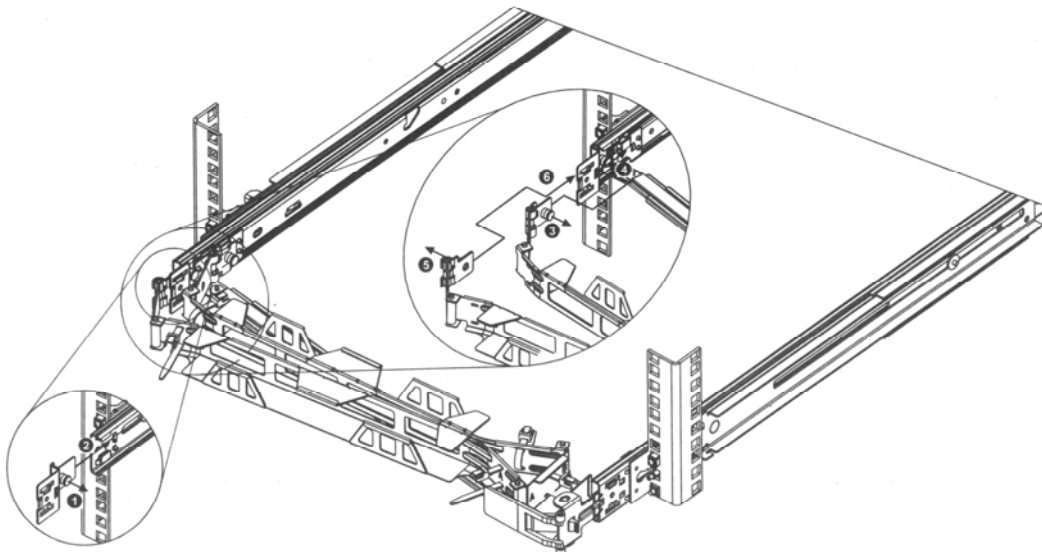
The right hand side of the arm in diagram 1 requires that the arm is connected in into the top of the lower locating hole, steps 4,5 and 6, the opposite to the previous instruction. Note that the angle between the two parts at assembly is important. Then insert the bracket into the rail after pulling the blue pin, steps 7 and 8.

CMA Installation

1 Tie Bar Installation



2 CMA Arm Installation

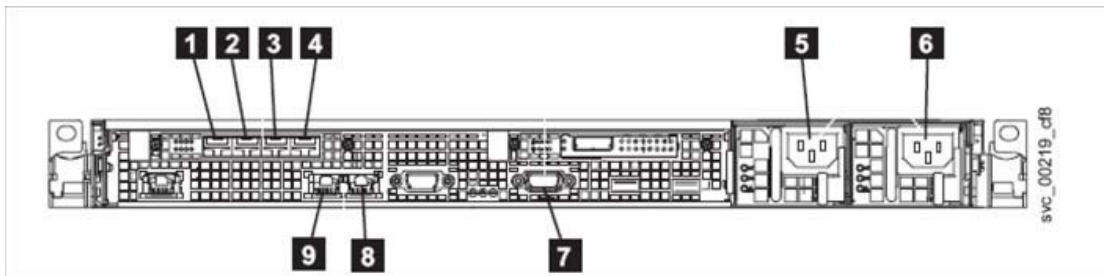


Connecting the SAN Volume Controller 2145-CF8 to the SAN and to the Ethernet network

The diagram and text labelling was incorrect, replace the first two instructions.
Page 34.

To connect the SAN Volume Controller 2145-CF8 to the SAN and to the Ethernet network, perform the following steps:

1. Connect an Ethernet cable to Ethernet port 1, as shown by 9 in the figure below. If required, connect the second Ethernet cable to Ethernet port 2 (8).
2. Connect the other end of the Ethernet cable(s) to the proper connector(s) on the Ethernet hub or switch.



- 1 Fibre-channel port 1
- 2 Fibre-channel port 2
- 3 Fibre-channel port 3
- 4 Fibre-channel port 4
- 5 Power supply 1 connector
- 6 Power supply 2 connector
- 7 Serial port
- 8 Ethernet port 2
- 9 Ethernet port 1

Attention: When routing the fibre-channel cables, do not tighten the cable straps or bend the cables to a radius smaller than 76 mm (3 in.).

